

**WARNING LABEL PART NO. V56871
INSTALLED ON PRODUCT. IF
MISSING, IT MUST BE REPLACED**

ZoneTrol™ Zone Valve Controller

Models ZTV-4 & ZTV-6

INSTALLER: PLEASE LEAVE THIS MANUAL FOR THE OWNER'S USE.



SAFETY INSTRUCTION

This safety alert symbol will be used in this manual to draw attention to safety related instructions. When used, the safety alert symbol means **ATTENTION! BECOME ALERT! YOUR SAFETY IS INVOLVED! FAILURE TO FOLLOW THESE INSTRUCTIONS MAY RESULT IN A SAFETY HAZARD.**

DESCRIPTION

The ZoneTrol is a ready-to-install multiple-zone controller for zone valves in hydronic systems. The advanced circuit board eliminates most field wiring needed for zone valves, making their installation easier, quicker and virtually trouble free. Built-in switchable priority provides heating for indirect water heaters and the LED diagnostic lights makes trouble-shooting easy.

BEFORE STARTING THE JOB

Please read instructions completely before starting work.

All work must be performed by qualified personnel in accordance with all applicable codes and ordinances. Electrical connections must be made using copper wire only.

Model No.	Maximum Numbers of Zones*	Transformer Output at 24 volts	Each End Switch Contact Rating
ZTV-4	4	40 VA	10A-1/3 HP
ZTV-6	6	75 VA	@120 VAC

* Zone valve specifications should be checked for wattage requirements. Do not use digital thermostats unless recommended by zone valve manufacturers.

MECHANICAL INSTALLATION INSTRUCTIONS

The ZoneTrol unit should be securely mounted on a wall, shelf, or partition near the valves using #8 screws (not included).

ELECTRICAL INSTALLATION INSTRUCTIONS



WARNING: Electrical shock and potential circuit damage. Disconnect power supply before beginning installation. Failure to follow these instructions could result in serious personal injury or death and property damage.



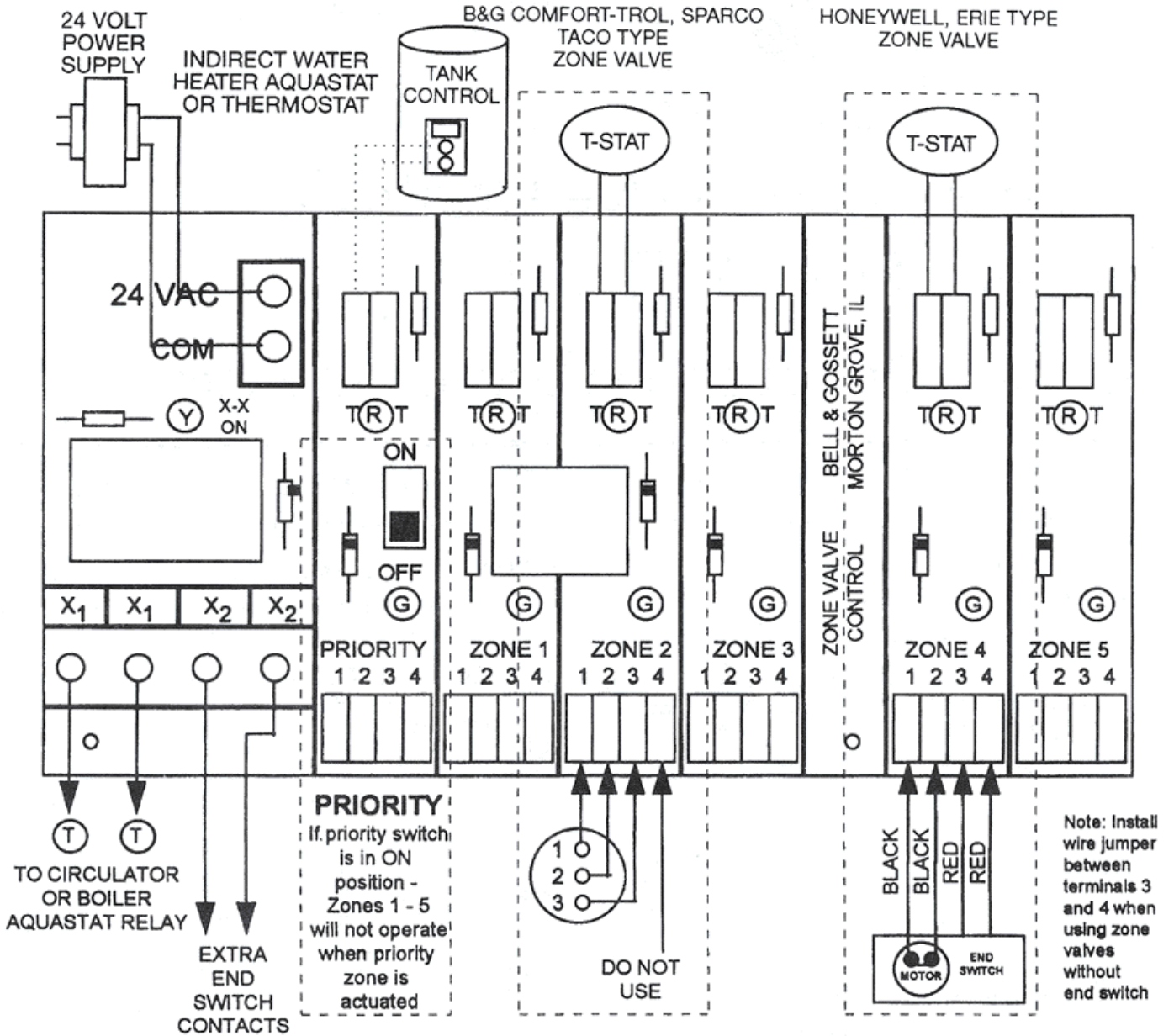
WARNING: Improper wiring and wire can cause electrical shock and fires. Wiring connections must be made in accordance with all applicable electrical codes and ordinances. Use copper wire only. Failure to follow these instructions could result in serious personal injury or death and property damage.

1. Connect the SPST thermostat to the TT terminals on the controller.
2. Connect the zone valves to the appropriate terminals. Refer to the drawing on the back page to determine the installation of the zone valves. Zone valves should be installed in accordance with instructions provided by zone valve manufacturer.
3. Connect the 24 volt power supply as shown in illustration on back.

OPERATING INSTRUCTIONS

For each zone, when a thermostat closes, the zone valve is energized (green light comes on). A red light will come on when the valve is fully opened. The yellow light indicates when the end switch has closed, allowing circulator relay or other controls to operate.

WIRING DIAGRAM



Xylem Inc.
8200 N. Austin Avenue
Morton Grove, Illinois 60053
Phone: (847) 966-3700
Fax: (847) 965-8379
www.xylem.com/brands/bellgossett

Bell & Gossett is a trademark of Xylem Inc. or one of its subsidiaries.
© 2012 Xylem Inc. P80930B May 2012