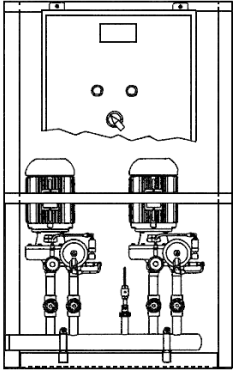


JOB: UNIT TAG: ENGINEER: CONTRACTOR:	REPRESENTATIVE: ORDER NO. SUBMITTED BY: APPROVED BY:	DATE: DATE: DATE:
---	---	--



70VS-MS Series Variable Speed Pressure Booster System

DESIGN DATA:

System Capacity:	_____	GPM
Pressure Required @ Discharge Header:	_____	PSIG
Pressure Drop through Package (include discharge valve):	_____	PSIG
Minimum Suction Pressure:	_____	PSIG

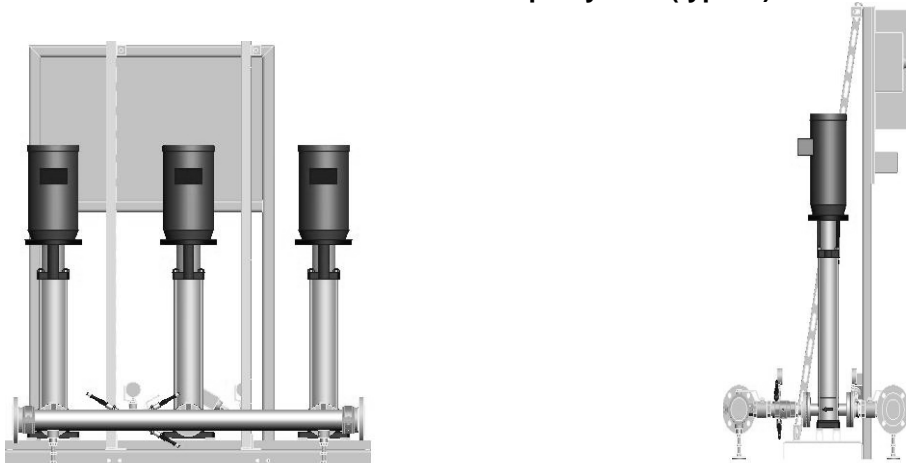
	Pump No. 1	Pump No. 2	Pump No. 3 (optional)
Gallons per Minute	_____	_____	_____
Pump TDH (feet)	_____	_____	_____
Header size _____ Inch	_____	_____	_____
Discharge Check Valve:	Size _____	_____	_____
Pump Series:	_____	_____	_____
<input type="checkbox"/> SSV	Size _____	_____	_____
Motor HP _____			
Motor RPM _____	Voltage _____	Hertz _____	Phase _____

Note: TDH includes discharge valve and package losses.

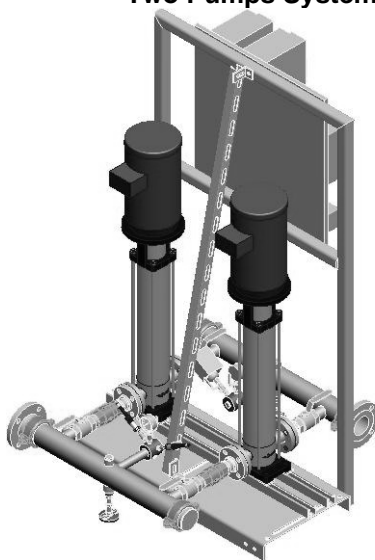
CONFIGURATION:	Pump Orientation <input type="checkbox"/> Vertical	Header Material <input type="checkbox"/> 304 Stainless Steel
-----------------------	--	--

STANDARD EQUIPMENT: Complete NSF/ANSI 61 certified package fully piped, wired and tested. Multistage pumps, isolation valves on suction and discharge of each pump; check valve on discharge side of each pump; thermal build-up protection in discharge header.

Three Pumps System (typical)



Two Pumps System (typical)



	Length	Width	Height
Three Pump System	60	49 7/8	69
Two Pump System	42	42 1/4	69

Dimensions valid for 1-4SV pump packages.
 Do not use for construction. Dimensions are approximate and subject to change.
 Contact factory for certified dimensions

Xylem Inc.
 10661 Newkirk Street
 Dallas, TX 75220
 Phone: 800-786-7480
www.xyleminc.com/brands/bellgossett

Bell & Gossett is a trademark of Xylem Inc. or one of its subsidiaries.
 © 2012 Xylem Inc

