



AWAVFD

Variable Frequency Drive Alternator



The AWAVFD alternator provides increased functionality by pairing two drives for alternation. Compatible with a SOLO² and SPD, the AWAVFD also allows for lead/lag operation when one drive does not satisfy the set pressure.

FEATURES & BENEFITS

- **Variable time setting:** Equipped with five time setting options for alternations ranging from 1 to 48 hours to accommodate all application needs
- **Outdoor rated:** A NEMA 3 enclosure allows for a range of installation locations
- **Ease of Use:** Easy terminal strip connections and LED display allow for effortless installation and operation



BUILT TO PERFORM

SPECIFICATIONS

- NEMA 3 rating enclosure for outdoor use
- LED display for timer and lead/lag
- Easy terminal strip connections
- Timer function with 5 selections
- Fully independent operation
- Fail-safe design keeps water running even if the alternator is powered off
- Wide voltage single phase 115/230V input (120 VAC and 240 VAC)
- Power protection is not required
- Dimensions:
8.60" L x 6.30" W x 3.94" D



COMPATIBILITY

- Aquavar SOLO²
- Aquavar SPD

PART NUMBERS (SINGLE PHASE)

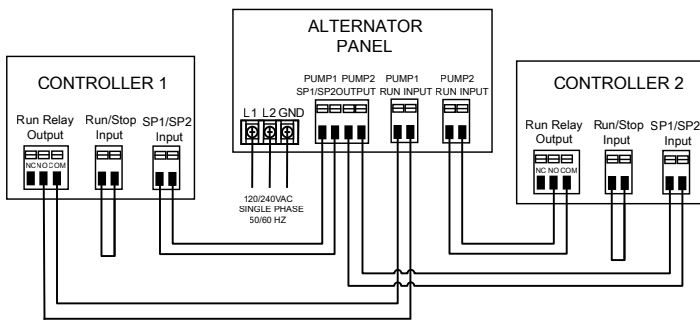
Part #	HP	Drive Voltage
AWAVFD	ALL	ALL

AGENCY LISTINGS



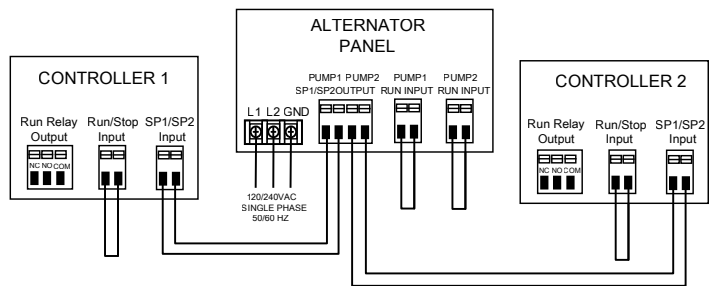
Tested to UL508 and CSA 22.2 14 Standards
By Canadian Standards Association

RUN TIME WIRING FOR SOLO²



For wiring on other drives, consult IOM.

REAL TIME WIRING FOR SOLO²



Xylem Inc.
2881 East Bayard Street Ext., Suite A
Seneca Falls, NY 13148
Phone: (866) 325-4210 • Fax: (888) 322-5877
www.xylem.com/centripro

CentriPro is a trademark of Xylem Inc. or one of its subsidiaries.
© 2021 Xylem Inc. AWAVFDSALES March 2021