



Alternator Panel

1 Introduction and Safety

1.1 Precautions



WARNING:

Disconnect and lock out electrical power before installing or servicing the unit.

2 Installation

2.1 Wire input power

- Use an SJTW cord between 0.17” and 0.45” diameter. Tighten the cable gland nuts to secure the power cable (40 lbf·in.) to maintain the enclosure rating.
- Connect 120 Vac or 240 Vac 50/60Hz single phase to L1, L2, and GND on the Alternator, by using 18 AWG to 12 AWG.

Wiring for Lead/Lag Alternation

1. Connect the two wires from the **PUMP1 SP1/SP2 OUTPUT** terminals on the Alternator to the **Setpoint Select Input** (SP1/SP2 Input) of the controller 1.

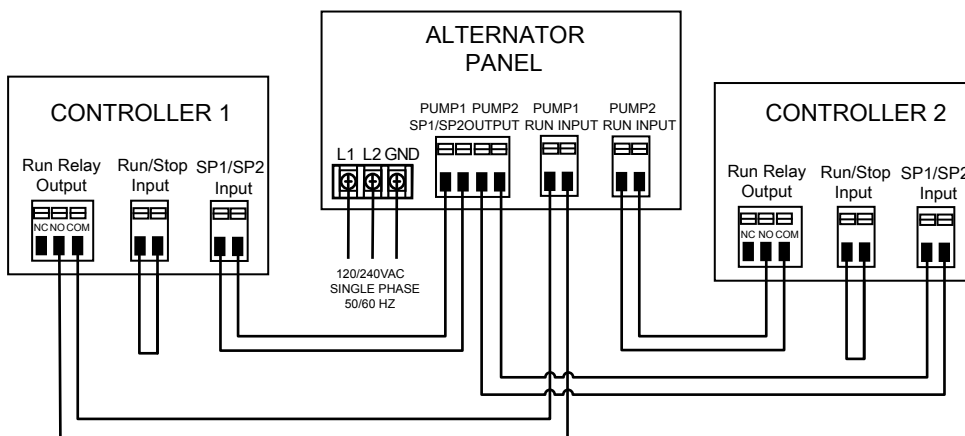


Figure 1: Lead/Lag run time wiring for Aquavar SOLO2

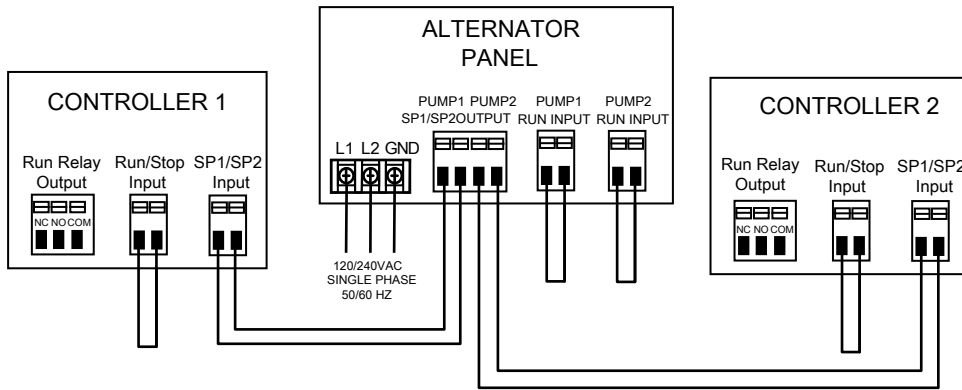


Figure 2: Lead/Lag elapsed time wiring for Aquavar SOLO2

2. Connect the two wires from the **PUMP2 SP1/SP2 OUTPUT** terminals on the Alternator to the **Setpoint Select Input (SP1/SP2 Input)** of the controller 2.
3. Connect the two wires from the **PUMP1 RUN INPUT** on the Alternator to the **NO and COM RELAY OUTPUT** terminals of the controller 1.
4. For the **ELAPSED TIME**, connect a jumper across the **PUMP1 RUN INPUT** terminals.
5. Connect the two wires from the **PUMP2 RUN INPUT** on the Alternator to the **NO and COM RELAY OUTPUT** terminals of the controller 2.
6. For the **ELAPSED TIME**, connect a jumper across the **PUMP2 RUN INPUT** terminals.

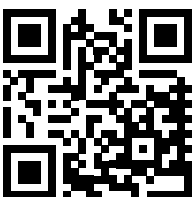
2.2 Controller setup

The Alternator factory default requires Setpoint 2 to be set to the lead pressure. If it is necessary that Setpoint 1 be the lead pressure, see Change the Lead/Lag Setpoint section in IM329 Alternator Panel IOM to change this setting.

1. Install the controllers according to the installation instructions supplied with the controller.
2. Apply power to controller 1.
3. Enable Setpoint 2 and set to the desired pressure setpoint. This will be the lead pump pressure.
4. Enable Setpoint 1 and set to a lower desired setpoint. This will be the lag pump pressure.
5. Apply power to controller 2.
6. Configure controller 2 to have the same Setpoint 2 and Setpoint 1 values configured on controller 1.

2.3 Alternator setup

1. Press the TIME SETTING button on the Alternator to select the desired alternate time.
2. Press the CHANGE LEAD button on the Alternator to change the lead pump and check system operation.



Xylem, Inc.
 2881 East Bayard St. Ext., Suite A
 Seneca Falls, NY 13148
 USA
 Tel: (866) 325-4210
 Fax: (888) 322-5877
www.xylem.com/centripro
 CentriPro is a trademark of Xylem Inc or one of its subsidiaries.
 © 2021 Xylem Inc

xylem
 Let's Solve Water