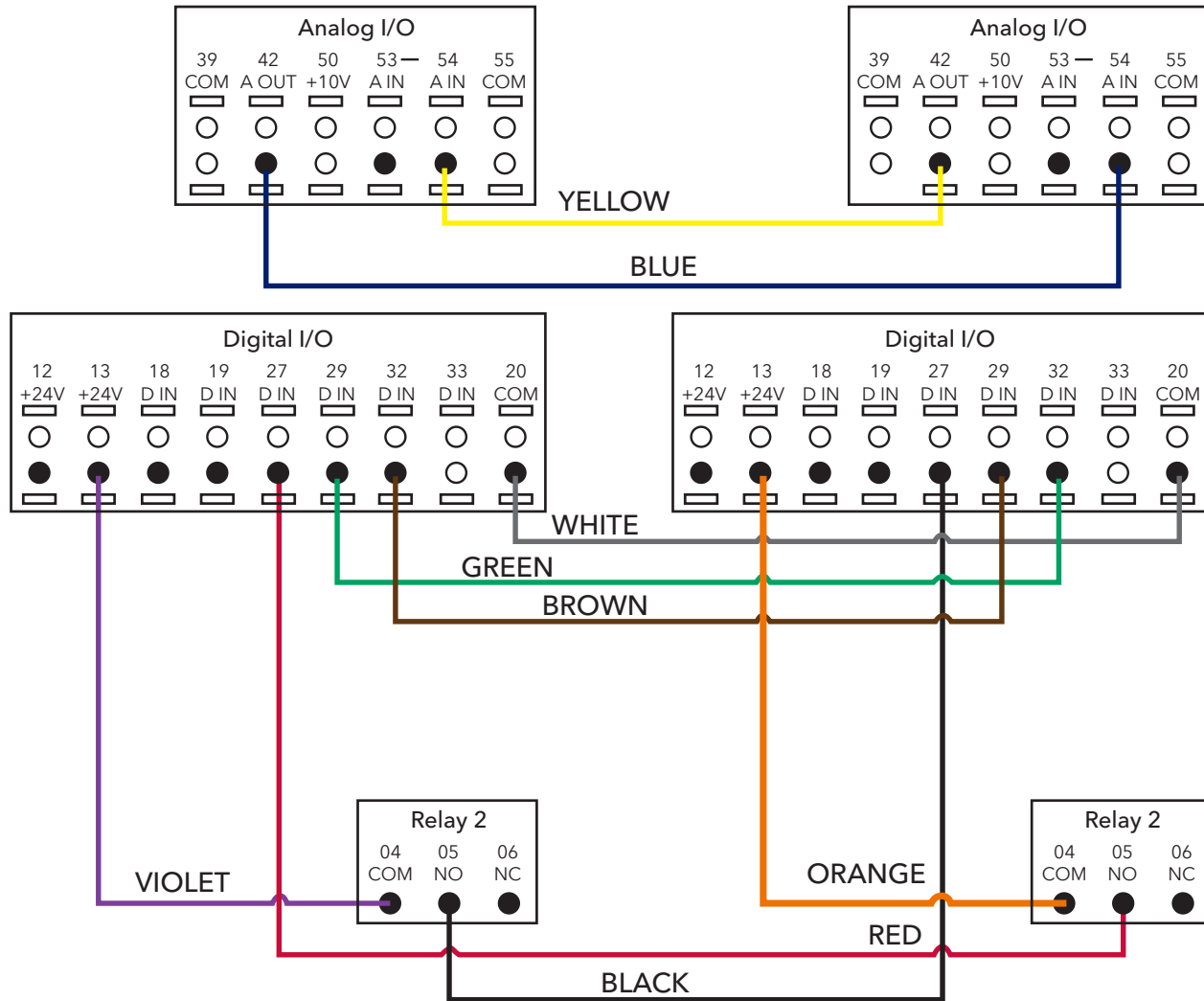




Technologic® - Duplex Wiring

Drive 1

Drive 2



- **BLUE:** Drive 1 Analog Output #42 to Drive 2 Analog Input #54
- **YELLOW:** Drive 1 Analog Input #54 to Drive 2 Analog Output #42
- **VIOLET:** Drive 1 24V Supply #13 to Drive 1 Relay 2 #04 (Internal Jumper)
- **RED:** Drive 1 Digital I/O #27 to Drive 2 Relay 2 #05
- **BLACK:** Drive 1 Relay #2 05 to Drive 2 Digital I/O #27

- **WHITE:** Drive 1 Digital Common #20 to Drive 2 Digital Common #20
- **GREEN:** Drive 1 Digital I/O #29 to Drive 2 Digital I/O #32
- **BROWN:** Drive 1 Digital I/O #32 to Drive 2 Digital I/O #29
- **ORANGE:** Drive 2 24V Supply #13 to Drive 2 Relay 04 (Internal Jumper)
- **RED:** Drive 2 24V Supply #13 to Drive 2 Relay 04 (Internal Jumper)

Part Number 9K706 3 Ft Duplex Harness Cable
Part Number 9K707 6 Ft Duplex Harness Cable