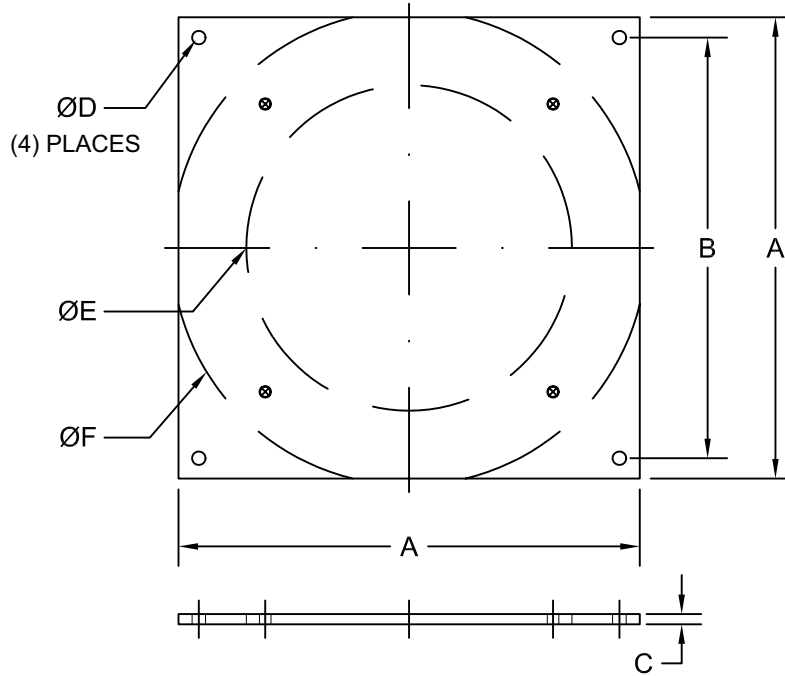


**SOLE PLATE**



FLOW	DISCHARGE FLANGE	A	B	C	D	E	F	WT (lb)
250	4	18.00 (457.2)	16.00 (406.4)	0.75 (19.05)	0.63 (16.002)	12.00 (304.8)	19.00 (482.6)	95
500	6	20.00 (508)	18.00 (457.2)		0.88 (22.352)	14.50 (368.3)	21.00 (533.4)	115
750					0.88 (22.352)	14.50 (368.3)	23.00 (584.2)	140
1000								
1500	8	22.00 (558.8)	19.00 (482.6)		0.88 (22.352)	14.50 (368.3)	23.00 (584.2)	140
2000	10	26.00 (660.4)	23.00 (584.2)		0.88 (22.352)	18.00 (457.2)	27.00 (685.8)	195
2500								
3000	12	34.00 (863.6)	31.00 (787.4)		1.00 (25.4)	24.00 (609.6)	35.00 (889)	330
3500					1.25 (31.75)	30.00 (762)	39.75 (1009.65)	430
4000								
4500	14	38.75 (984.25)	36.00 (914.4)	1.25 (31.75)	30.00 (762)	39.75 (1009.65)	430	
5000								

<b>NOT FOR CONSTRUCTION, INSTALLATION OR APPLICATION PURPOSES UNLESS CERTIFIED</b>		
CERTIFIED FOR:		
CUSTOMER ORDER NO.:	TAG NO.	
SHOP ORDER:	CERTIFIED BY:	DATE: