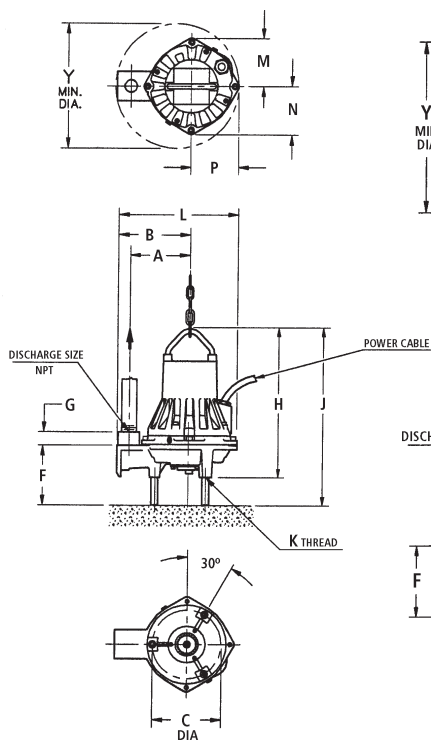




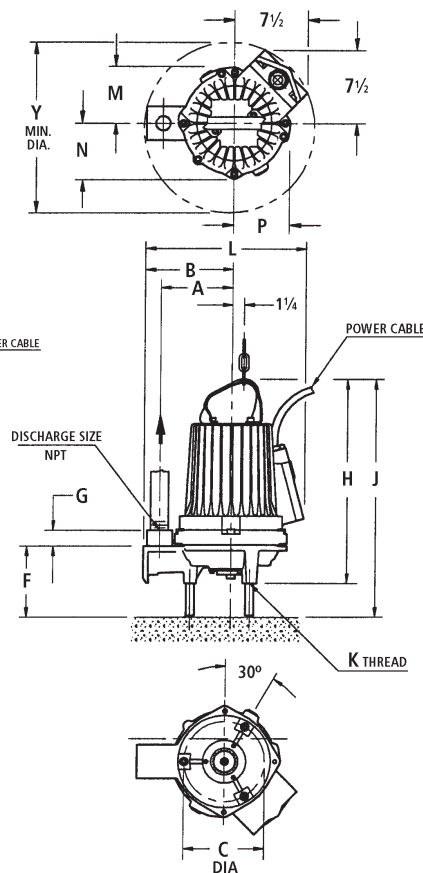
15GXS & 20GXS

1½" AND 2" DISCHARGE - EXPLOSION PROOF SUBMERSIBLE GRINDER PUMPS

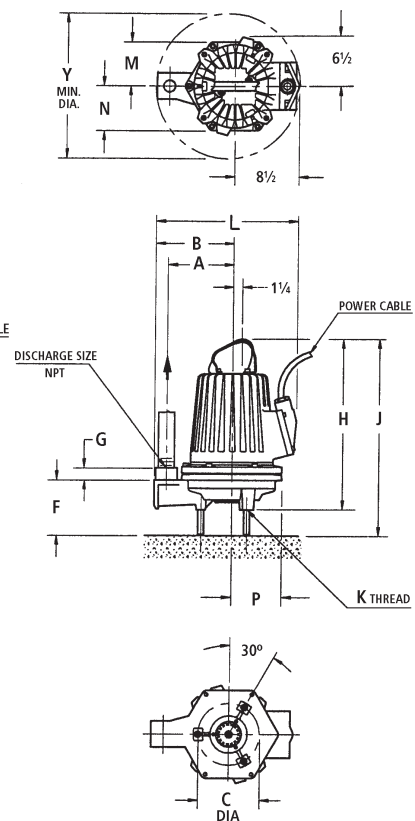
DRAWING 1



DRAWING 2



DRAWING 3



See Dimension Chart on back.

DIMENSIONS (All dimensions are in inches. Do not use for construction purposes.)

Drawing Number	Pump Series	HP	Phase	Disch. Size	A	B	C	F	G	H	J	K	L	M	N	P	Y	Weight (lbs.)
1	15GXS	3	1	1.5"	7.0	8.75	7.94	7.25	1.5	17.5	20.5	M16	14.25	5.5	5.5	5.5	14.5	117
		4	3															
2		5.4	1		7.0	8.5	7.94	7.0	1.5	20.5	23.75	M16	16.0	5.5	5.5	5.5	17.5	172
		6	3															
2	20GXS	5.4	1	2"	7.5	9.0	7.94	7.0	1.5	20.5	23.75	M16	16.5	5.5	5.5	5.5	17.5	172
		6	3															
3		9.4	1		8.5	10.0	7.94	7.25	1.5	22.0	25.5	M16	18.5	5.75	5.75	6.5	18.5	241
		11	3															

Xylem Inc.

2881 East Bayard Street Ext., Suite A

Seneca Falls, NY 13148

Phone: (866) 325-4210 Fax: (888) 322-5877

www.bellgossett.com



Bell & Gossett

a xylem brand