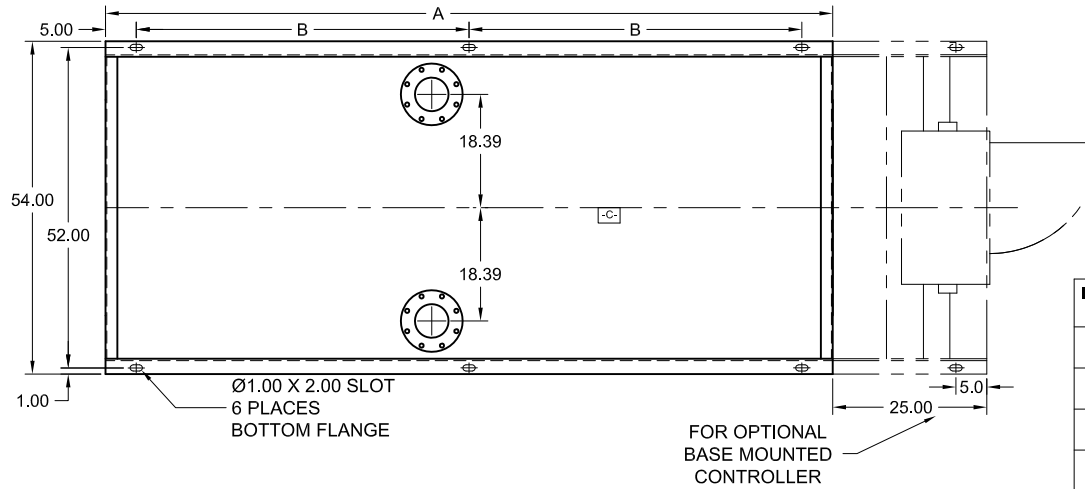


CLARKE FIRE PUMP DRIVERS  
NON-EMISSION ENGINE MODELS  
HSC 8150 SERIES PUMPS



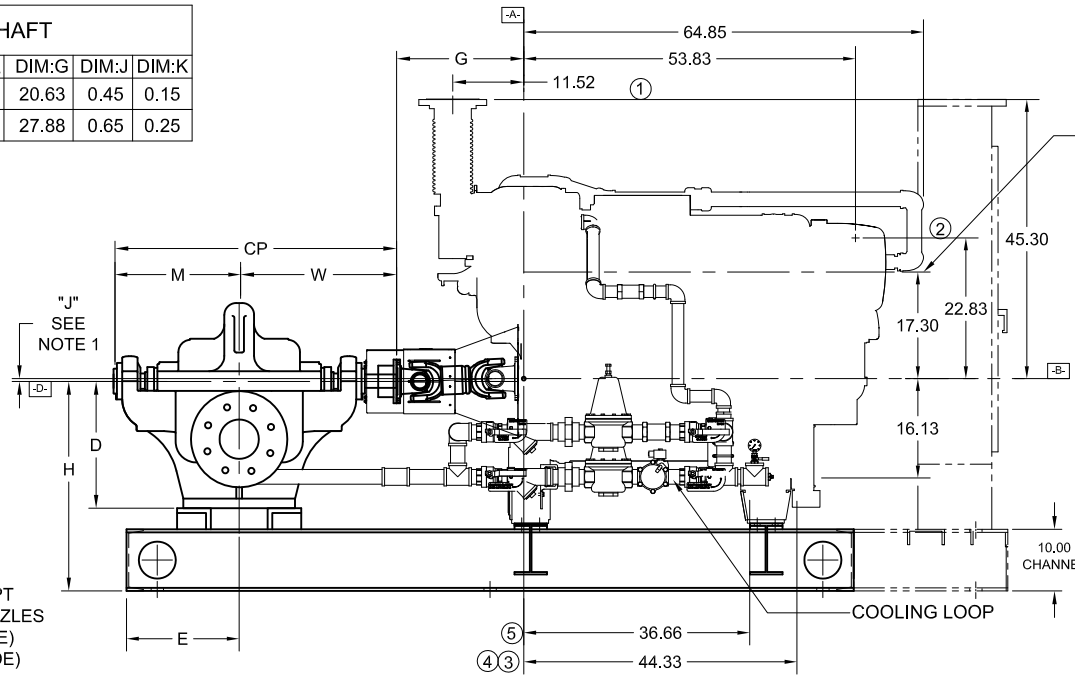
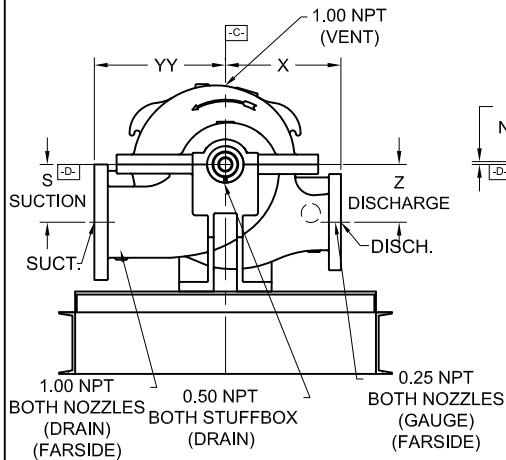
- A- MOUNTING FACE OF FLYWHEEL
- B- ENGINE CRANKSHAFT HORIZONTAL CENTERLINE
- C- ENGINE CRANKSHAFT VERTICAL CENTERLINE
- D- PUMP SHAFT HORIZONTAL CENTERLINE



| ITEM NO. | DESCRIPTION                     | CONNECTION SIZE  |
|----------|---------------------------------|--|
| ①        | EXHAUST OUTLET CONNECTION       | 6" 150# FLG.   |
| ②        | RAW WATER OUTLET                | SEE NOTE 6.  |
| ③        | FUEL SUPPLY CONNECTION -FARSIDE | 3/4" NPTF  |
| ④        | FUEL RETURN CONNECTION -FARSIDE | 1/2" NPTF  |
| ⑤        | HEATER JUNCTION BOX             | VOLTAGE REQUIREMENTS:<br>DUAL AC CONNECTION<br>HEATER 2500 WATTS<br>STD- 230 VAC ±5%-10%<br>OPT- 115 VAC ±5%-10% |

NON-LISTED DRIVESHAFT

| ENGINE MODEL      | DRIVESHAFT MODEL | DIM:G | DIM:J | DIM:K |
|-------------------|------------------|-------|-------|-------|
| DT2H-UFAA60       | SC2160A          | 20.63 | 0.45  | 0.15  |
| DT2H-UFAA98, AA92 | SC2390           | 27.88 | 0.65  | 0.25  |



FUEL PUMP CENTERLINE

NOTES:

- THE DRIVE SHAFT IS DESIGNED TO OPERATE AT A 2° ANGLE WITH THE INPUT AND OUTPUT SHAFTS IN PARALLEL. THE ENGINE CRANKSHAFT IS TO BE SET WITH A PARALLEL OFFSET OF "J" ± "K" INCHES VERTICALLY ABOVE THE PUMP SHAFT AND 0.00" ± "K" INCHES PARALLEL OFFSET HORIZONTALLY RIGHT OR LEFT OF THE PUMP SHAFT. REFER TO THE CERTIFIED DRIVESHAFT INSTRUCTIONS MANUAL FOR ALIGNMENT INSTRUCTIONS.
- BASE MUST BE COMPLETELY FILLED WITH GROUT PER NFPA 20.
- PUMP IS CW (CLOCKWISE) ROTATION WHEN VIEWED FROM THE COUPLING END.
- ALL DIMENSIONS ARE IN INCHES.
- SUCTION AND DISCHARGE FLANGES DRILLED PER ANSI B16.1 (IF APPLICABLE).
- RAW WATER DRAIN PIPING SIZE VARIES BASED UPON SITE CONDITIONS. ENGINE CONN. SIZE: 1-1/2" NPT.

| ENGINE MODEL- DT2H-UFAA60 WITH DRIVESHAFT MODEL SC2160A |           |        |            |    |    |       |       |       |       |       |       |       |       |       |
|---|-----------|--------|------------|----|----|-------|-------|-------|-------|-------|-------|-------|-------|-------|
| PUMP TYPE   | PUMP SIZE |        | DIMENSIONS |    |    |       |       |       |       |       |       |       |       |       |
|   | SUCT.     | DISCH. | A          | B  | H  | E     | M     | W     | CP    | D     | YY    | X     | S     | Z     |
| 16X10X22  | 16        | 10     | 128        | 59 | 38 | 20.19 | 24.44 | 29.81 | 54.25 | 24.00 | 29.00 | 24.00 | 14.00 | 14.00 |

| ENGINE MODEL- DT2H-UFAA98, -AA92 WITH DRIVESHAFT MODEL SC2390 |           |        |            |    |    |       |       |       |       |       |       |       |       |       |
|---|-----------|--------|------------|----|----|-------|-------|-------|-------|-------|-------|-------|-------|-------|
| PUMP TYPE   | PUMP SIZE |        | DIMENSIONS |    |    |       |       |       |       |       |       |       |       |       |
|   | SUCT.     | DISCH. | A          | B  | H  | E     | M     | W     | CP    | D     | YY    | X     | S     | Z     |
| 16X10X22  | 16        | 10     | 138        | 64 | 38 | 20.19 | 24.44 | 29.81 | 54.25 | 24.00 | 29.00 | 24.00 | 14.00 | 14.00 |

| NOT FOR CONSTRUCTION, INSTALLATION OR APPLICATION PURPOSES UNLESS CERTIFIED. |  |               |       |           |              |            |                    |              |           |
|--|--|---------------|-------|-----------|--------------|------------|--------------------|--------------|-----------|
| CERTIFIED FOR:   |  |               |       |           |              |            | APPROVAL           |              |           |
| CUSTOMER ORDER NO:   |  |               |       |           |              |            | IDENTIFICATION NO: |              |           |
| PUMP DATA  |  | SIZE          | MODEL | CURVE NO. | GPM          | HEAD (FT.) | ROTATION           | SUCTION      | DISCHARGE |
| ENGINE DATA  |  | MAKE          | MODEL | HP        | RPM          | VOLTAGE    | POLARITY           | MAX ALTITUDE |           |
| SHOP ORDER:  |  | CERTIFIED BY: |       |           | TOTAL WEIGHT |            |                    | DATE:        |           |