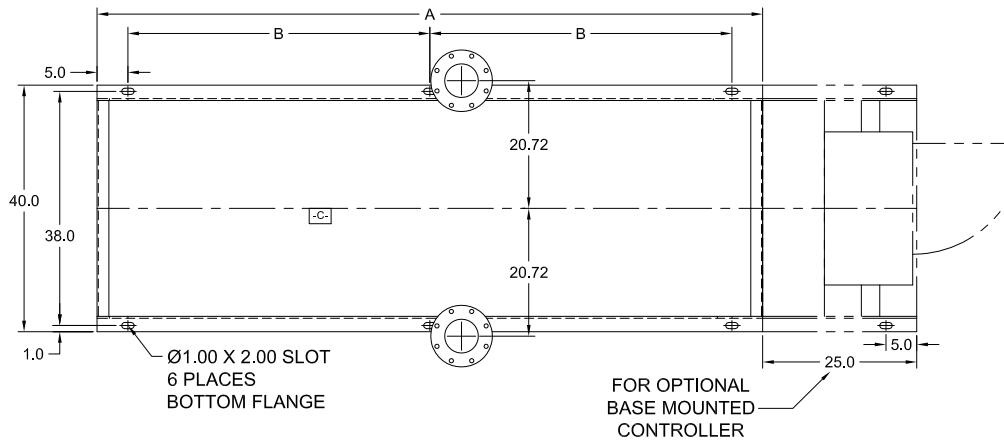


CLARKE FIRE PUMP DRIVERS NON-EMISSION ENGINE MODELS HSC 8150 SERIES PUMPS

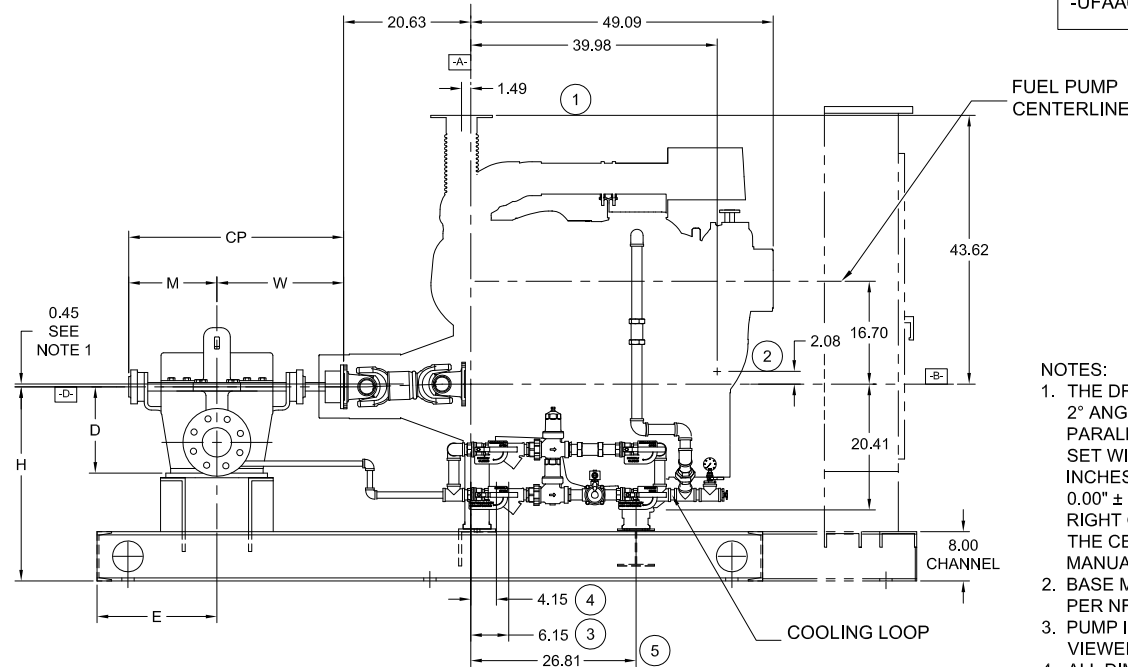
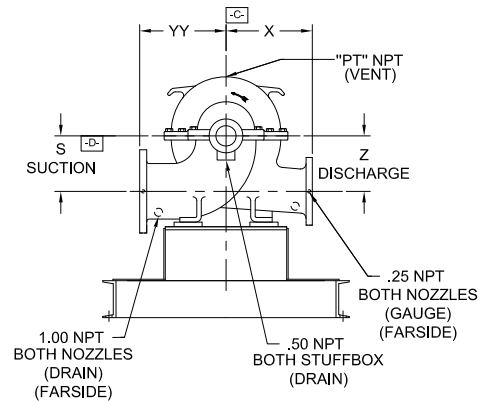


- A- - MOUNTING FACE OF FLYWHEEL
- B- - ENGINE CRANKSHAFT HORIZONTAL CENTERLINE
- C- - ENGINE CRANKSHAFT VERTICAL CENTERLINE
- D- - PUMP SHAFT HORIZONTAL CENTERLINE



ITEM NO.	DESCRIPTION	CONNECTION SIZE
①	EXHAUST OUTLET CONNECTION	5" FLEX EXHAUST
②	RAW WATER OUTLET	SEE NOTE 6.
③	FUEL SUPPLY CONNECTION	3/4" NPTF
④	FUEL RETURN CONNECTION	1/2" NPTF
⑤	HEATER JUNCTION BOX	VOLTAGE REQUIREMENTS: AC CONNECTION HEATER 2500 WATTS STD- 230 VAC ±5%-10% OPT- 115 VAC ±5%-10%

NON-LISTED DRIVESHAFT	
ENGINE MODEL	DRIVESHAFT MODEL
DR8H-UFAA40, -UFAA5G, -UFAA68, -UFAA62	SC2160A



NOTES:

- THE DRIVE SHAFT IS DESIGNED TO OPERATE AT A 2° ANGLE WITH THE INPUT AND OUTPUT SHAFTS IN PARALLEL. THE ENGINE CRANKSHAFT IS TO BE SET WITH A PARALLEL OFFSET OF 0.45 ± 0.15 INCHES VERTICALLY ABOVE THE PUMP SHAFT AND 0.00" ± 0.15 INCH PARALLEL OFFSET HORIZONTALLY RIGHT OR LEFT OF THE PUMP SHAFT. REFER TO THE CERTIFIED DRIVESHAFT INSTRUCTIONS MANUAL FOR ALIGNMENT INSTRUCTIONS.
- BASE MUST BE COMPLETELY FILLED WITH GROUT PER NFPA 20.
- PUMP IS CW (CLOCKWISE) ROTATION WHEN VIEWED FROM THE COUPLING END.
- ALL DIMENSIONS ARE IN INCHES.
- SUCTION AND DISCHARGE FLANGES DRILLED PER ANSI B16.1 (IF APPLICABLE).
- RAW WATER DRAIN PIPING SIZE VARIES BASED UPON SITE CONDITIONS. ENGINE CONN. SIZE: 1-1/2" NPT

PUMP TYPE	PUMP SIZE		DIMENSIONS												
	SUCT.	DISCH.	A	B	H	E	M	W	CP	D	YY	X	S	Z	PT
16X10X22	16	10	118	54	33	20.19	24.44	29.81	54.25	24.00	29.00	24.00	14.00	14.00	1.00

NOT FOR CONSTRUCTION, INSTALLATION OR APPLICATION PURPOSES UNLESS CERTIFIED.

CERTIFIED FOR:						APPROVAL		<input type="checkbox"/> UL	<input type="checkbox"/> FM	<input type="checkbox"/> ULC
CUSTOMER ORDER NO:				IDENTIFICATION NO:				FLANGES		
PUMP DATA	SIZE	MODEL	CURVE NO.	GPM	HEAD (FT.)	ROTATION	SUCTION	DISCHARGE		
						CW				
ENGINE DATA	MAKE	MODEL	HP	RPM	VOLTAGE	POLARITY	MAX ALTITUDE			
	CLARKE					NEG.				
SHOP ORDER:			CERTIFIED BY:			TOTAL WEIGHT		DATE:		