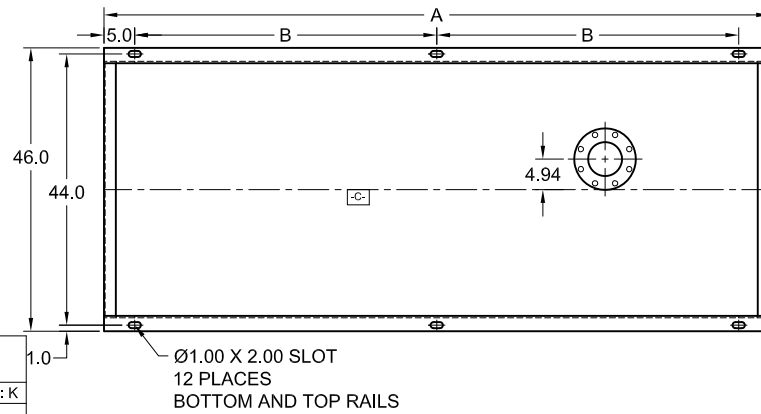


CLARKE FIRE PUMP DRIVERS
EPA NSPS TIER 1 ENGINE MODELS
HSC 9100 SERIES PUMPS

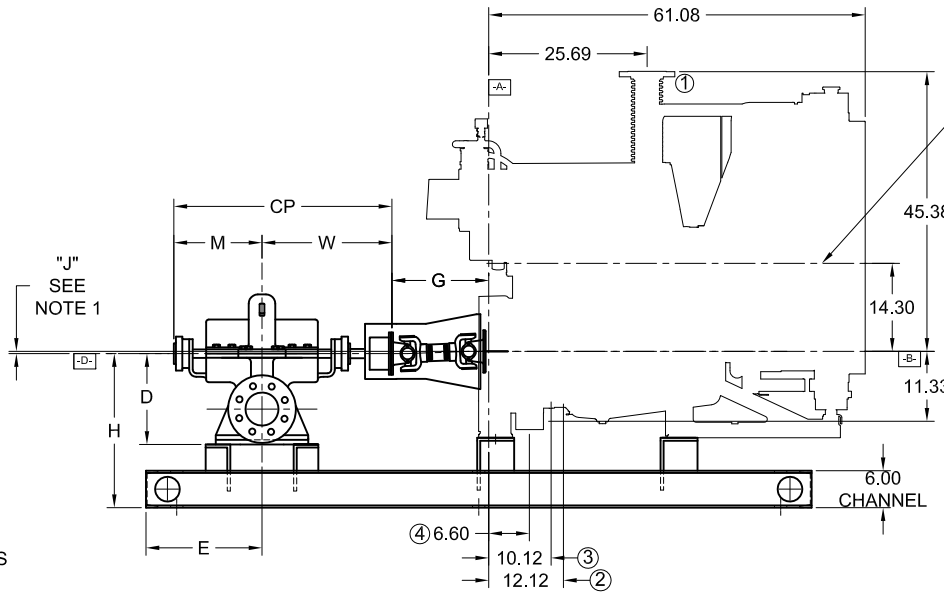
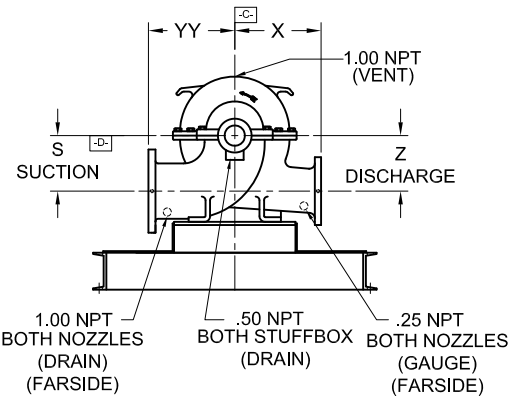


- A- - MOUNTING FACE OF FLYWHEEL
- B- - ENGINE CRANKSHAFT HORIZONTAL CENTERLINE
- C- - ENGINE CRANKSHAFT VERTICAL CENTERLINE
- D- - PUMP SHAFT HORIZONTAL CENTERLINE



UL LISTED DRIVESHAFTS				
ENGINE MODEL	DRIVESHAFT MODEL	DIM: G	DIM: J	DIM: K
JU6R-UFAA59, 61, 83	CDS30-S1	15.75	0.35	0.10
JU6R-UFAAPP, RF, Q7, S9	CDS50-SC	20.38	0.45	0.11

ITEM NO.	DESCRIPTION	CONNECTION SIZE
①	EXHAUST OUTLET CONNECTION	5" 150# FLANGE
②	FUEL SUPPLY CONNECTION	1/2" NPTF
③	FUEL RETURN CONNECTION	3/8" NPTF
④	HEATER JUNCTION BOX	VOLTAGE REQUIREMENTS: AC CONNECTION HEATER 1360 WATTS STD- 115 VAC ±5%-10% OPT- 230 VAC ±5%-10%



FUEL PUMP CENTERLINE

NOTES:

- THE DRIVE SHAFT IS DESIGNED TO OPERATE AT A 2° ANGLE WITH THE INPUT AND OUTPUT SHAFTS IN PARALLEL. THE ENGINE CRANKSHAFT IS TO BE SET WITH A PARALLEL OFFSET OF "J" ± "K" INCHES VERTICALLY ABOVE THE PUMP SHAFT AND 0.00" ± "K" INCHES PARALLEL OFFSET HORIZONTALLY RIGHT OR LEFT OF THE PUMP SHAFT. REFER TO THE CERTIFIED DRIVESHAFT INSTRUCTIONS MANUAL FOR ALIGNMENT INSTRUCTIONS.
- BASE MUST BE COMPLETELY FILLED WITH GROUT PER NFPA 20.
- PUMP IS CW (CLOCKWISE) ROTATION WHEN VIEWED FROM THE COUPLING END.
- ALL DIMENSIONS ARE IN INCHES.
- SUCTION AND DISCHARGE FLANGES DRILLED PER ANSI B16.1 (IF APPLICABLE).

PUMP TYPE	PUMP SIZE		DIMENSIONS											
	SUCT.	DISCH.	A	B	H	E	M	W	CP	D	YY	X	S	Z
12x8x21 F-M	12	8	128	59	28	21.75	21.75	28.25	50.00	19.00	21.00	21.00	12.00	12.00
12x8x22 F-M	12	8	128	59	28	21.75	21.75	28.25	50.00	19.00	21.00	21.00	12.00	12.00
16x12x23 F	16	12	128	59	29	19.50	23.75	30.50	54.25	23.00	25.00	25.00	14.00	14.00

NOT FOR CONSTRUCTION, INSTALLATION OR APPLICATION PURPOSES UNLESS CERTIFIED.							
CERTIFIED FOR:				APPROVAL			
CUSTOMER ORDER NO:				IDENTIFICATION NO:			
PUMP DATA	SIZE	MODEL	CURVE NO.	GPM	HEAD (FT.)	ROTATION	FLANGES
	MAKE	MODEL	HP	RPM	VOLTAGE	POLARITY	SUCTION DISCHARGE
ENGINE DATA	CLARKE					NEG.	MAX ALTITUDE
SHOP ORDER:		CERTIFIED BY:			TOTAL WEIGHT		DATE: