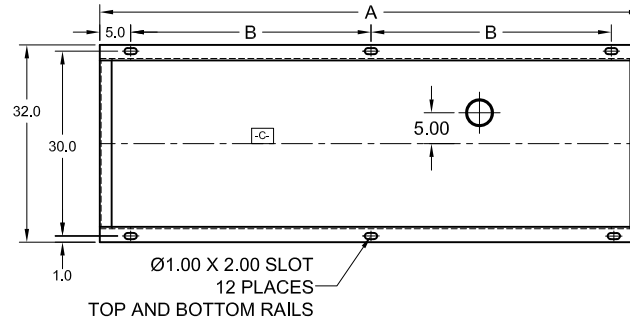


CLARKE FIRE PUMP DRIVERS  
EPA NSPS TIER IT4 ENGINE MODELS  
HSC 8100 SERIES PUMPS

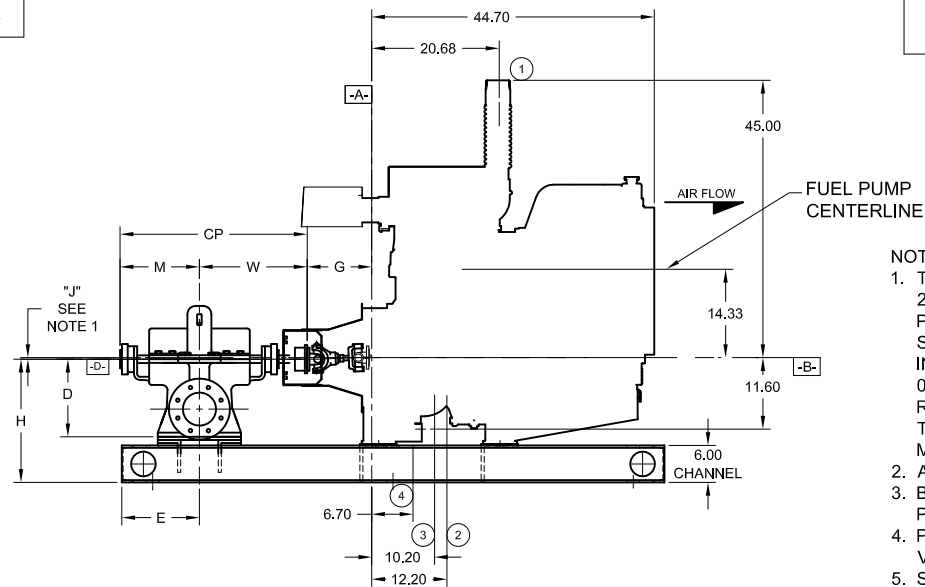
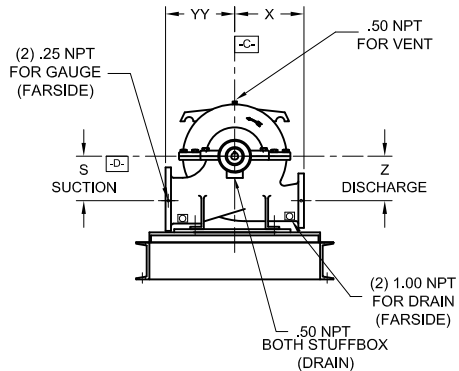


- A- - MOUNTING FACE OF FLYWHEEL
- B- - ENGINE CRANKSHAFT HORIZONTAL CENTERLINE
- C- - ENGINE CRANKSHAFT VERTICAL CENTERLINE
- D- - PUMP SHAFT HORIZONTAL CENTERLINE



| UL LISTED DRIVESHAFT |                  |        |        |        |
|----------------------|------------------|--------|--------|--------|
| ENGINE MODEL         | DRIVESHAFT MODEL | DIM: G | DIM: J | DIM: K |
| JU4R-UFAEA9          | CDS10-SC         | 10.50  | 0.25   | 0.09   |
| JU4R-UFAEE7, F1      | CDS20-SC         | 11.00  | 0.25   | 0.08   |

| ITEM NO. | DESCRIPTION                      | CONNECTION SIZE   |
|----------|----------------------------------|---|
| ①        | EXHAUST OUTLET CONNECTION        | 3" NPT FLEX EXHAUST   |
| ②        | FUEL SUPPLY CONNECTION (FARSIDE) | 1/2" NPTF   |
| ③        | FUEL RETURN CONNECTION (FARSIDE) | 3/8" NPTF   |
| ④        | HEATER JUNCTION BOX              | VOLTAGE REQUIREMENTS:<br>AC CONNECTION<br>HEATER 1500 WATTS<br>STD -115VAC +5% -10%<br>OPT -230VAC +5% -10% |



- NOTES:
- THE DRIVE SHAFT IS DESIGNED TO OPERATE AT A 2° ANGLE WITH THE INPUT AND OUTPUT SHAFTS IN PARALLEL. THE ENGINE CRANKSHAFT IS TO BE SET WITH A PARALLEL OFFSET OF "J" ± "K" INCHES VERTICALLY ABOVE THE PUMP SHAFT AND 0.00" ± "K" INCH PARALLEL OFFSET HORIZONTALLY RIGHT OR LEFT OF THE PUMP SHAFT. REFER TO THE CERTIFIED DRIVESHAFT INSTRUCTIONS MANUAL FOR ALIGNMENT INSTRUCTIONS.
  - ALL DIMENSIONS ARE IN INCHES.
  - BASE MUST BE COMPLETELY FILLED WITH GROUT PER NFPA 20.
  - PUMP IS CW (CLOCKWISE) ROTATION WHEN VIEWED FROM THE COUPLING END.
  - SUCTION AND DISCHARGE FLANGES DRILLED PER ANSI B16.1 (IF APPLICABLE).

| PUMP MODEL | PUMP SIZE |        | DIMENSIONS |    |    |       |       |       |       |       |       |       |      |      |
|------------|-----------|--------|------------|----|----|-------|-------|-------|-------|-------|-------|-------|------|------|
|            | SUCT.     | DISCH. | A          | B  | H  | E     | M     | W     | CP    | D     | YY    | X     | S    | Z    |
| 3X2X11F-S  | 3         | 2      | 88         | 39 | 20 | 14.00 | 12.25 | 16.00 | 28.25 | 8.00  | 10.00 | 9.00  | 5.50 | 5.50 |
| 6X4X12F    | 6         | 4      | 88         | 39 | 21 | 12.50 | 13.25 | 17.50 | 30.75 | 12.00 | 13.00 | 11.50 | 7.80 | 7.80 |
| 8X6X12F-S  | 8         | 6      | 88         | 39 | 24 | 12.50 | 13.25 | 17.50 | 30.75 | 14.00 | 14.00 | 14.00 | 9.00 | 9.00 |
| 8X6X13     | 8         | 6      | 88         | 39 | 23 | 18.75 | 15.63 | 21.25 | 36.87 | 12.75 | 15.50 | 13.00 | 8.00 | 8.00 |
| 8X8X12F    | 8         | 8      | 88         | 39 | 23 | 18.75 | 15.63 | 21.25 | 36.87 | 12.75 | 16.50 | 14.00 | 8.00 | 8.00 |

| NOT FOR CONSTRUCTION, INSTALLATION OR APPLICATION PURPOSES UNLESS CERTIFIED. |        |       |                    |     |            |              |              |           |
|--|--------|-------|--------------------|-----|------------|--------------|--------------|-----------|
| CERTIFIED FOR:   |        |       |                    |     |            | APPROVAL     |              |           |
|  |        |       |                    |     |            | UL           | FM           | ULC       |
| CUSTOMER ORDER NO:   |        |       | IDENTIFICATION NO: |     |            | FLANGES      |              |           |
| PUMP DATA  | SIZE   | MODEL | CURVE NO.          | GPM | HEAD (FT.) | ROTATION     | SUCTION      | DISCHARGE |
|  |        |       |                    |     |            |              | CW           |           |
| ENGINE DATA  | MAKE   | MODEL | HP                 | RPM | VOLTAGE    | POLARITY     | MAX ALTITUDE |           |
|  | CLARKE |       |                    |     |            |              | NEG.         |           |
| SHOP ORDER:  |        |       | CERTIFIED BY:      |     |            | TOTAL WEIGHT |              | DATE:     |