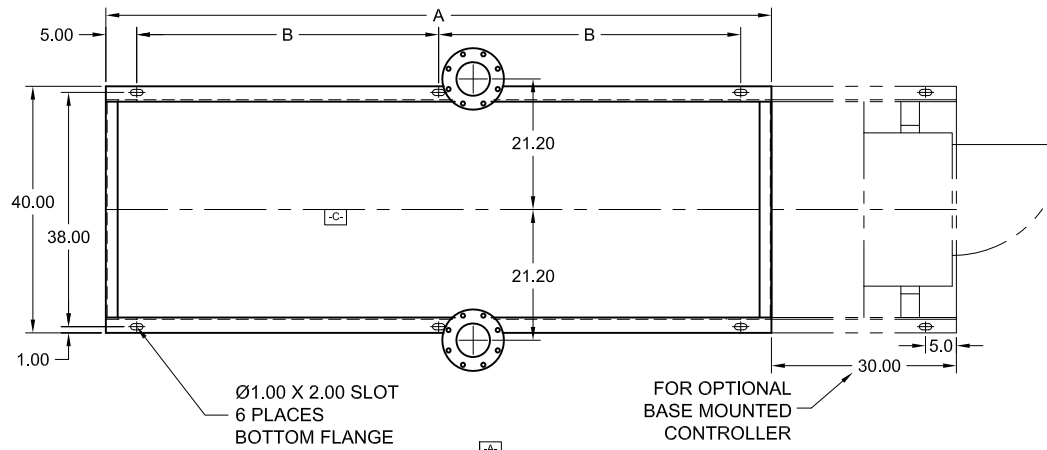


**CLARKE FIRE PUMP DRIVERS
NON-EMISSION ENGINE MODELS
HSC 8200 SERIES PUMPS**

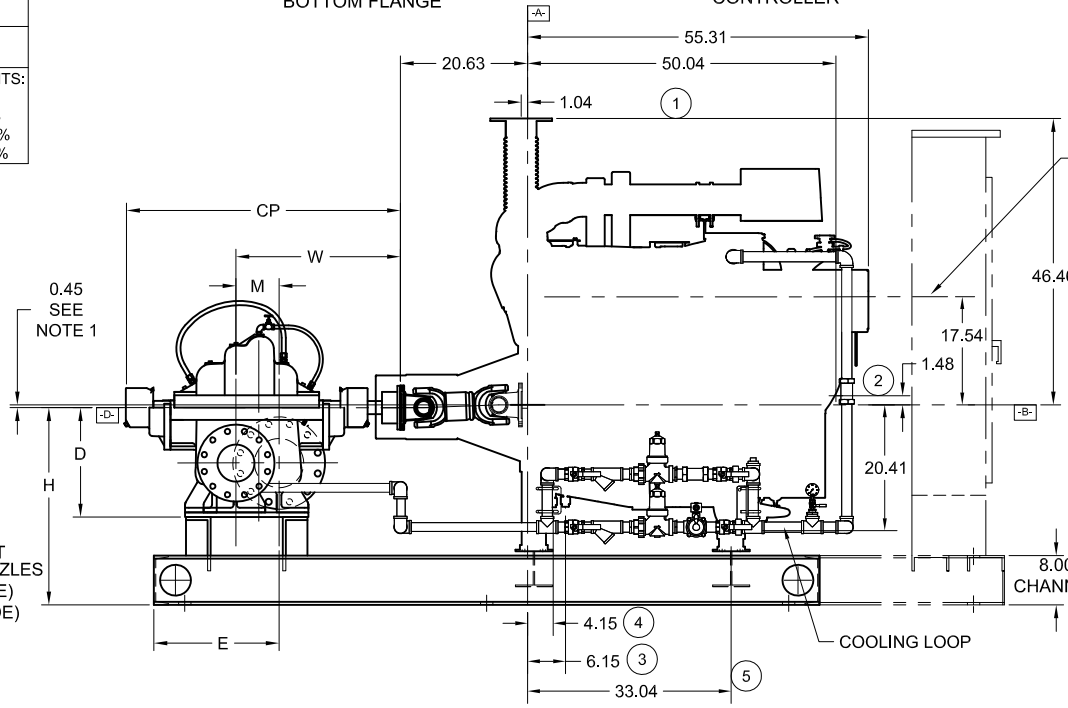
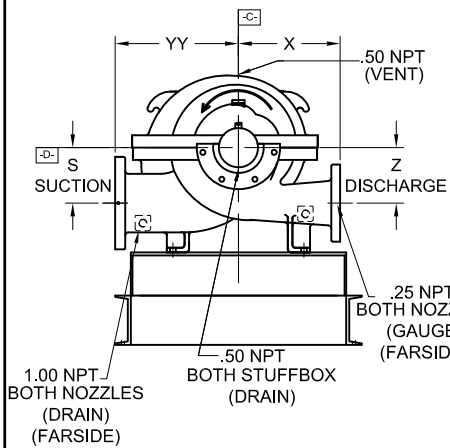


- A- - MOUNTING FACE OF FLYWHEEL
- B- - ENGINE CRANKSHAFT HORIZONTAL CENTERLINE
- C- - ENGINE CRANKSHAFT VERTICAL CENTERLINE
- D- - PUMP SHAFT HORIZONTAL CENTERLINE

| ITEM NO. | DESCRIPTION | CONNECTION SIZE |
|----------|---------------------------|---|
| ① | EXHAUST OUTLET CONNECTION | 5" 150# FLG. |
| ② | RAW WATER OUTLET | SEE NOTE 6. |
| ③ | FUEL SUPPLY CONNECTION | 3/4" NPTF |
| ④ | FUEL RETURN CONNECTION | 1/2" NPTF |
| ⑤ | HEATER JUNCTION BOX | VOLTAGE REQUIREMENTS: AC CONNECTION HEATER 2500 WATTS STD- 230 VAC ±5%-10% OPT- 115 VAC ±5%-10% |



| NON-LISTED DRIVESHAFT | |
|--|------------------|
| ENGINE MODEL | DRIVESHAFT MODEL |
| DS0H-UFAAN0, -UFAA68, -UFAA60, -UFAAM0, -UFAA98, -UFAA92 | SC2160A |



FUEL PUMP CENTERLINE

NOTES:

1. THE DRIVE SHAFT IS DESIGNED TO OPERATE AT A 2° ANGLE WITH THE INPUT AND OUTPUT SHAFTS IN PARALLEL. THE ENGINE CRANKSHAFT IS TO BE SET WITH A PARALLEL OFFSET OF 0.45 ± 0.15 INCHES VERTICALLY ABOVE THE PUMP SHAFT AND 0.00" ± 0.15 INCH PARALLEL OFFSET HORIZONTALLY RIGHT OR LEFT OF THE PUMP SHAFT. REFER TO THE CERTIFIED DRIVESHAFT INSTRUCTIONS MANUAL FOR ALIGNMENT INSTRUCTIONS.
2. BASE MUST BE COMPLETELY FILLED WITH GROUT PER NFPA 20.
3. PUMP IS CW (CLOCKWISE) ROTATION WHEN VIEWED FROM THE COUPLING END.
4. ALL DIMENSIONS ARE IN INCHES.
5. SUCTION AND DISCHARGE FLANGES DRILLED PER ANSI B16.1 (IF APPLICABLE).
6. RAW WATER DRAIN PIPING SIZE VARIES BASED UPON SITE CONDITIONS. ENGINE CONN. SIZE: 1-1/2" NPT.

| PUMP TYPE | PUMP SIZE | | DIMENSIONS | | | | | | | | | | | |
|-----------|-----------|--------|------------|----|----|-------|------|-------|-------|-------|-------|-------|-------|-------|
| | SUCT. | DISCH. | A | B | H | E | M | W | CP | D | YY | X | S | Z |
| 8X6X18F | 8 | 6 | 118 | 54 | 32 | 29.13 | 7.00 | 27.88 | 45.75 | 19.00 | 20.00 | 16.50 | 11.00 | 11.00 |

| NOT FOR CONSTRUCTION, INSTALLATION OR APPLICATION PURPOSES UNLESS CERTIFIED. | | | | | | | |
|--|--------|---------------|-----------|---|--------------|----------|-------------------|
| CERTIFIED FOR: | | | | APPROVAL <input type="checkbox"/> UL <input type="checkbox"/> FM <input type="checkbox"/> ILC | | | |
| CUSTOMER ORDER NO: | | | | IDENTIFICATION NO: | | | |
| PUMP DATA | SIZE | MODEL | CURVE NO. | GPM | HEAD (FT.) | ROTATION | FLANGES |
| | | | | | | CW | SUCTION DISCHARGE |
| ENGINE DATA | MAKE | MODEL | HP | RPM | VOLTAGE | POLARITY | MAX ALTITUDE |
| | CLARKE | | | | | NEG. | |
| SHOP ORDER: | | CERTIFIED BY: | | | TOTAL WEIGHT | | DATE: |