

CLARKE FIRE PUMP DRIVERS
NON-EMISSION ENGINE MODELS
VT APPLICATIONS



a xylem brand
Vertical Pumps

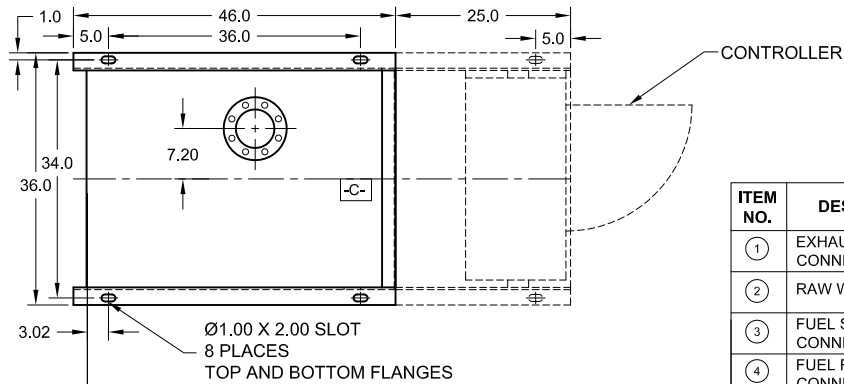
- A- - MOUNTING FACE OF FLYWHEEL
- B- - ENGINE CRANKSHAFT HORIZONTAL CENTERLINE
- C- - ENGINE CRANKSHAFT VERTICAL CENTERLINE
- D- - RIGHT ANGLE GEAR SHAFT CENTERLINE

UL LISTED DRIVESHAFTS			
ENGINE MODEL	DRIVESHAFT MODEL	COUPLING MODEL	DIM: A
JW6H-UFAA80	CDS50-SC*	TC50-11.5-81 FS	26.49

*2100 RPM ONLY

NON-LISTED DRIVESHAFTS			
ENGINE MODEL	DRIVESHAFT MODEL	COUPLING MODEL	DIM: A
JW6H-UFAA60	SC81A*	TC50-11.5-81 FS	26.49
JW6H-UFAA80	SC81A**		

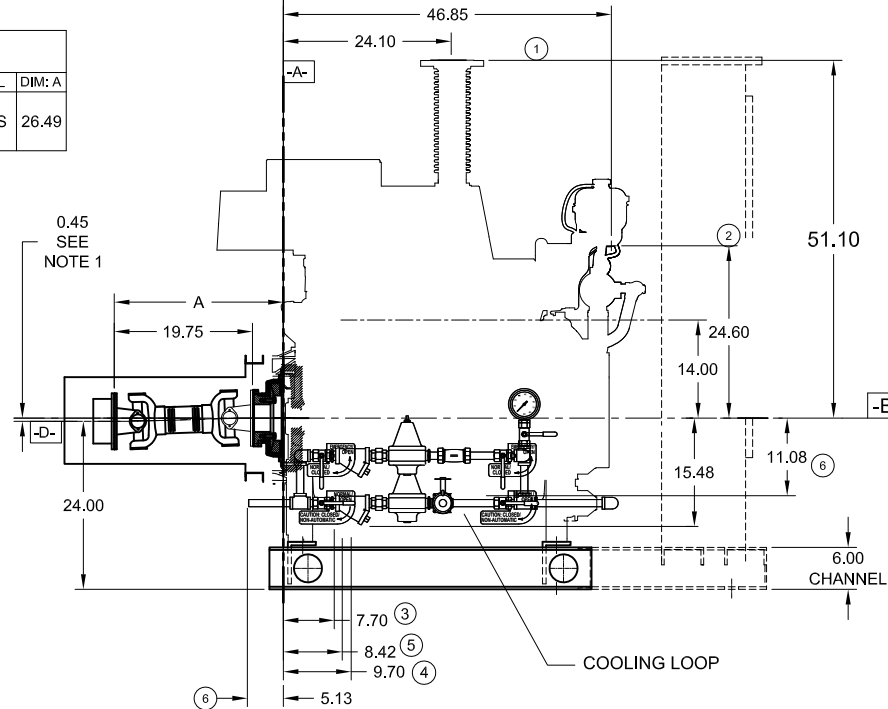
*2350 RPM ONLY **1760 RPM ONLY



ITEM NO.	DESCRIPTION	CONNECTION SIZE
①	EXHAUST OUTLET CONNECTION	6" 125# FLG.
②	RAW WATER OUTLET	SEE NOTE 6.
③	FUEL SUPPLY CONNECTION	1/2" NPTF
④	FUEL RETURN CONNECTION	3/8" NPTF
⑤	HEATER JUNCTION BOX	VOLTAGE REQUIREMENTS: AC CONNECTION HEATER 2500 WATTS STD- 230 VAC ±5%-10% OPT- 115 VAC ±5%-10%
⑥	RAW WATER INLET	SEE NOTE 7.

NOTES:

1. THE DRIVE SHAFT IS DESIGNED TO OPERATE AT A 2° ANGLE WITH THE INPUT AND OUTPUT SHAFTS IN PARALLEL. THE ENGINE CRANKSHAFT IS TO BE SET WITH A PARALLEL OFFSET OF 0.45 ± 0.11 INCHES VERTICALLY ABOVE THE PUMP SHAFT AND 0.00" ± 0.11 INCH PARALLEL OFFSET HORIZONTALLY RIGHT OR LEFT OF THE PUMP SHAFT. REFER TO THE CERTIFIED DRIVESHAFT INSTRUCTIONS MANUAL FOR ALIGNMENT INSTRUCTIONS.
2. BASE MUST BE COMPLETELY FILLED WITH GROUT PER NFPA 20.
3. ENGINE IS CW (CLOCKWISE) ROTATION WHEN VIEWED FROM HEAT EXCHANGER/FRONT.
4. ALL DIMENSIONS ARE IN INCHES.
5. SUCTION AND DISCHARGE FLANGES DRILLED PER ANSI B16.1 (IF APPLICABLE).
6. RAW WATER OUTLET SIZE VARIES BASED UPON SITE CONDITIONS. DEFAULT SIZE: 1-1/2" NPT.
7. RAW WATER INLET SIZE VARIES BASED ON SITE CONDITIONS.



NOT FOR CONSTRUCTION, INSTALLATION OR APPLICATION PURPOSES UNLESS CERTIFIED.							
CERTIFIED FOR:				APPROVAL <input type="checkbox"/> UL <input type="checkbox"/> FM <input type="checkbox"/> ULC			
CUSTOMER ORDER NO:			IDENTIFICATION NO:			FLANGES	
PUMP DATA	SIZE	MODEL	CURVE NO.	GPM	HEAD (FT.)	ROTATION	SUCTION DISCHARGE
ENGINE DATA	MAKE	MODEL	HP	RPM	VOLTAGE	POLARITY	MAX ALTITUDE
SHOP ORDER:		CERTIFIED BY:		TOTAL WEIGHT		DATE:	