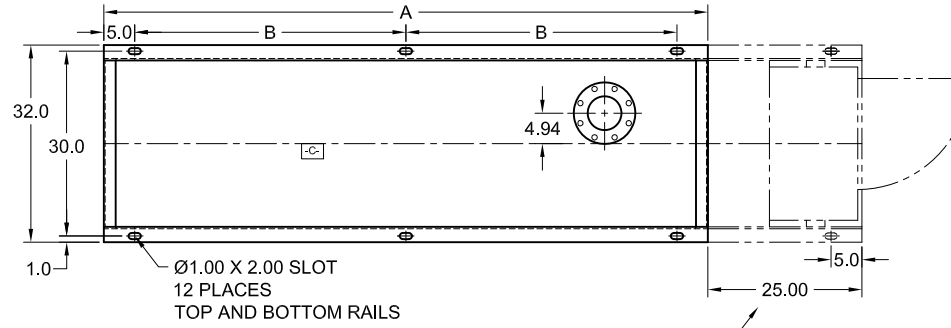


CLARKE FIRE PUMP DRIVERS  
EPA NSPS TIER 1 ENGINE MODELS  
HSC 9100 SERIES PUMPS



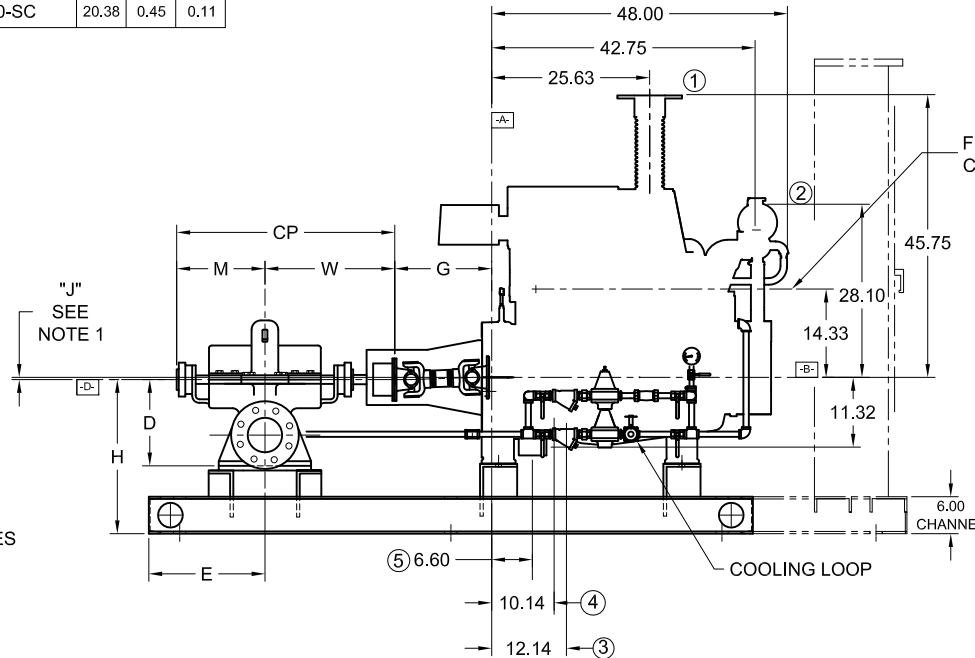
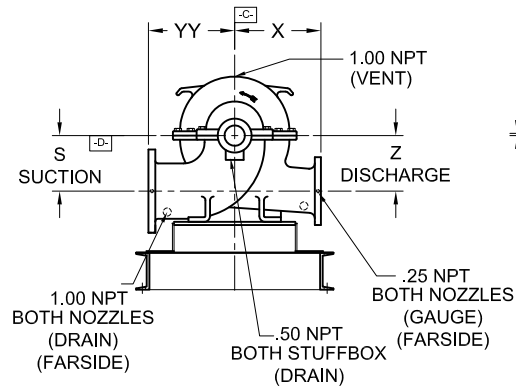
- A- - MOUNTING FACE OF FLYWHEEL
- B- - ENGINE CRANKSHAFT HORIZONTAL CENTERLINE
- C- - ENGINE CRANKSHAFT VERTICAL CENTERLINE
- D- - PUMP SHAFT HORIZONTAL CENTERLINE



FOR OPTIONAL BASE MOUNTED CONTROLLER

UL LISTED DRIVESHAFTS					
ENGINE MODEL		DRIVESHAFT MODEL	DIM:G	DIM:J	DIM:K
JU6H-UF60, 62, 84		TRWA	CDS30-S1	15.75	0.35 0.10
JU6H-UFAQ8, AARG, AAPG, AAS0		TRWA	CDS50-SC	20.38	0.45 0.11

ITEM NO.	DESCRIPTION	CONNECTION SIZE
①	EXHAUST OUTLET CONNECTION	5" 150# FLG.
②	RAW WATER OUTLET	SEE NOTE 6.
③	FUEL SUPPLY CONNECTION	1/2" NPTF
④	FUEL RETURN CONNECTION	3/8" NPTF
⑤	HEATER JUNCTION BOX	VOLTAGE REQUIREMENTS: AC CONNECTION HEATER 1360 WATTS STD- 115 VAC ±5%-10% OPT- 230 VAC ±5%-10%



FUEL PUMP CENTERLINE

COOLING LOOP

NOTES:

- THE DRIVE SHAFT IS DESIGNED TO OPERATE AT A 2° ANGLE WITH THE INPUT AND OUTPUT SHAFTS IN PARALLEL. THE ENGINE CRANKSHAFT IS TO BE SET WITH A PARALLEL OFFSET OF "J" ± "K" INCHES VERTICALLY ABOVE THE PUMP SHAFT AND 0.00" ± "K" INCH PARALLEL OFFSET HORIZONTALLY RIGHT OR LEFT OF THE PUMP SHAFT. REFER TO THE CERTIFIED DRIVESHAFT INSTRUCTIONS MANUAL FOR ALIGNMENT INSTRUCTIONS.
- BASE MUST BE COMPLETELY FILLED WITH GROUT PER NFPA 20.
- PUMP IS CW (CLOCKWISE) ROTATION WHEN VIEWED FROM THE COUPLING END.
- ALL DIMENSIONS ARE IN INCHES.
- SUCTION AND DISCHARGE FLANGES DRILLED PER ANSI B16.1 (IF APPLICABLE).
- RAW WATER DRAIN PIPING SIZE VARIES BASED UPON SITE CONDITIONS. ENGINE CONN. SIZE: 1-1/4" NPT

PUMP TYPE	PUMP SIZE		DIMENSIONS											
	SUCT.	DISCH.	A	B	H	E	M	W	CP	D	YY	X	S	Z
12x8x21 F	12	8	108	49	28	21.75	21.75	28.25	50.00	19.00	21.00	21.00	12.00	12.00
12x8x22 F	12	8	108	49	28	21.75	21.75	28.25	50.00	19.00	21.00	21.00	12.00	12.00
14x10x20 F	14	10	108	49	30	19.50	23.75	30.50	54.25	21.00	21.00	19.00	13.00	13.00
16x12x23 F	16	12	108	49	32	19.50	23.75	30.50	54.25	23.00	25.00	25.00	14.00	14.00

NOT FOR CONSTRUCTION, INSTALLATION OR APPLICATION PURPOSES UNLESS CERTIFIED.

CERTIFIED FOR:							APPROVAL		UL	FM	ULC
CUSTOMER ORDER NO:				IDENTIFICATION NO:				FLANGES			
PUMP DATA	SIZE	MODEL	CURVE NO.	GPM	HEAD (FT.)	ROTATION	SUCTION	DISCHARGE			
	MAKE	MODEL	HP	RPM	VOLTAGE	POLARITY	MAX ALTITUDE				
ENGINE DATA	CLARKE					NEG.					
SHOP ORDER:			CERTIFIED BY:			TOTAL WEIGHT			DATE:		