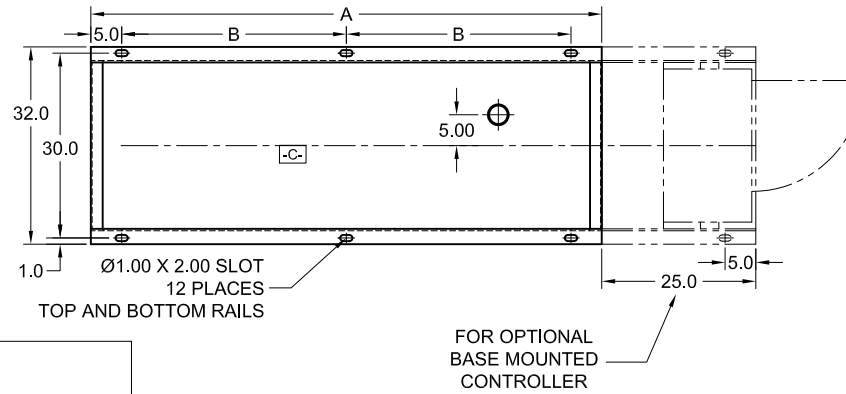


CLARKE FIRE PUMP DRIVERS
EPA NSPS TIER 1 ENGINE MODELS
HSC 8100 SERIES PUMPS

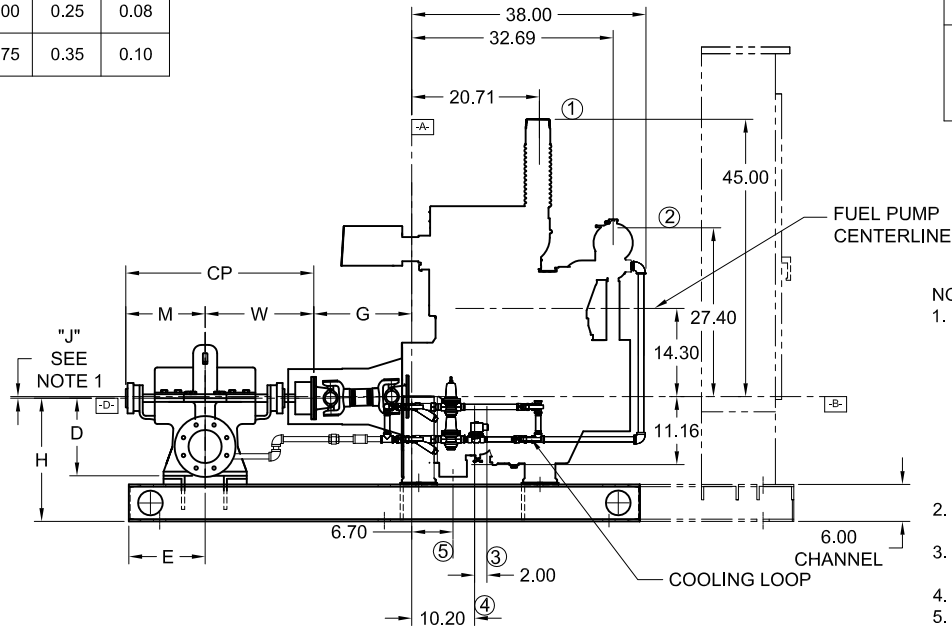
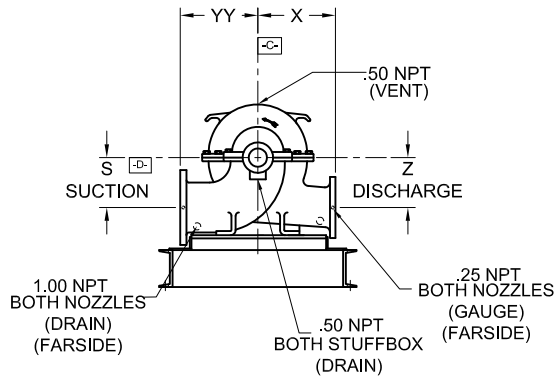


- A- - MOUNTING FACE OF FLYWHEEL
- B- - ENGINE CRANKSHAFT HORIZONTAL CENTERLINE
- C- - ENGINE CRANKSHAFT VERTICAL CENTERLINE
- D- - PUMP SHAFT HORIZONTAL CENTERLINE



UL LISTED DRIVESHAFT		DIM: G	DIM: J	DIM: K
ENGINE MODEL	DRIVESHAFT MODEL			
JU4H-UF34, 40, 42, H0, H2	CDS20-SC	11.00	0.25	0.08
JU4H-UF50, 52, 54, 58	CDS30-S1	15.75	0.35	0.10

ITEM NO.	DESCRIPTION	CONNECTION SIZE
①	EXHAUST OUTLET CONNECTION	4" NPT EXHAUST
②	RAW WATER OUTLET	SEE NOTE 6.
③	FUEL SUPPLY CONNECTION (FAR SIDE)	1/2" NPTF
④	FUEL RETURN CONNECTION (FAR SIDE)	3/8" NPTF
⑤	HEATER JUNCTION BOX	VOLTAGE REQUIREMENTS: AC CONNECTION HEATER 1000 WATTS STD- 115 VAC ±5%-10% OPT- 230 VAC ±5%-10%



NOTES:

1. THE DRIVE SHAFT IS DESIGNED TO OPERATE AT A 2° ANGLE WITH THE INPUT AND OUTPUT SHAFTS IN PARALLEL. THE ENGINE CRANKSHAFT IS TO BE SET WITH A PARALLEL OFFSET OF "J" ± "K" INCHES VERTICALLY ABOVE THE PUMP SHAFT AND 0.00" ± "K" INCH PARALLEL OFFSET HORIZONTALLY RIGHT OR LEFT OF THE PUMP SHAFT. REFER TO THE CERTIFIED DRIVESHAFT INSTRUCTIONS MANUAL FOR ALIGNMENT INSTRUCTIONS.
2. BASE MUST BE COMPLETELY FILLED WITH GROUT PER NFPA 20.
3. PUMP IS CW (CLOCKWISE) ROTATION WHEN VIEWED FROM THE COUPLING END.
4. ALL DIMENSIONS ARE IN INCHES.
5. SUCTION AND DISCHARGE FLANGES DRILLED PER ANSI B16.1 (IF APPLICABLE).
6. RAW WATER DRAIN PIPING SIZE VARIES BASED UPON SITE CONDITIONS. ENGINE CONN. SIZE: 1" NPT

PUMP MODEL	PUMP SIZE		DIMENSIONS												
	SUCT.	DISCH.	A	B	H	E	M	W	CP	D	YY	X	S	Z	
6X4X10F	6	4	78	34	20	11.50	14.62	18.50	33.12	11.00	13.00	11.50	6.50	6.50	
6x4x11F	6	4	78	34	21	11.50	14.62	18.50	33.12	11.00	13.00	11.50	7.38	7.38	
6x4x12F	6	4	78	34	21	12.50	13.25	17.50	30.75	12.00	13.00	11.50	7.75	7.75	
8X6X9F	8	6	78	34	23	12.50	13.25	17.50	30.75	12.00	14.00	13.00	7.50	7.50	
8X6X10F	8	6	78	34	23	11.50	14.62	18.50	33.12	14.00	15.00	11.50	7.75	7.75	
8X6X12F-S	8	6	78	34	24	12.50	13.25	17.50	30.75	14.00	14.00	14.00	9.00	9.00	
8X6X12F-M	8	6	78	34	24	11.50	14.62	18.50	33.12	14.00	14.00	14.00	9.00	9.00	
8X6X13F	8	6	88	39	23	18.75	15.62	21.25	36.87	12.75	15.50	13.00	8.00	8.00	
8X8X12F	8	8	88	39	23	18.75	15.62	21.25	36.87	12.75	16.50	14.00	8.00	8.00	
8x8x17F	8	8	88	39	23	17.44	17.00	22.56	39.56	14.50	16.50	15.00	9.50	9.50	
10x8x17F	10	8	88	39	26	17.44	17.00	22.56	39.56	16.00	18.00	16.00	10.00	10.00	

NOT FOR CONSTRUCTION, INSTALLATION OR APPLICATION PURPOSES UNLESS CERTIFIED.										
CERTIFIED FOR:						APPROVAL				
						UL	FM	ULC		
CUSTOMER ORDER NO:						IDENTIFICATION NO:			FLANGES	
PUMP DATA	SIZE	MODEL	CURVE NO.	GPM	HEAD (FT.)	ROTATION	SUCTION	DISCHARGE		
							CW			
ENGINE DATA	MAKE	MODEL	HP	RPM	VOLTAGE	POLARITY	MAX ALTITUDE			
	CLARKE						NEG.			
SHOP ORDER:			CERTIFIED BY:			TOTAL WEIGHT		DATE:		