

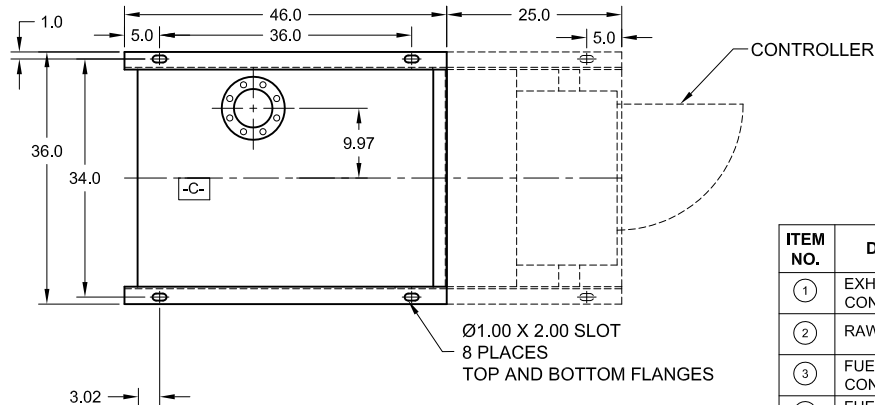
CLARKE FIRE PUMP DRIVERS
NON-EMISSION ENGINE MODELS
HSC APPLICATIONS



a xylem brand

Vertical Pumps

- A- - MOUNTING FACE OF FLYWHEEL
- B- - ENGINE CRANKSHAFT HORIZONTAL CENTERLINE
- C- - ENGINE CRANKSHAFT VERTICAL CENTERLINE
- D- - RIGHT ANGLE GEAR SHAFT CENTERLINE



ITEM NO.	DESCRIPTION	CONNECTION SIZE
①	EXHAUST OUTLET CONNECTION	SEE EXHAUST LISTING
②	RAW WATER OUTLET	SEE NOTE 6.
③	FUEL SUPPLY CONNECTION	1/2" NPTF
④	FUEL RETURN CONNECTION	3/8" NPTF
⑤	HEATER JUNCTION BOX	VOLTAGE REQUIREMENTS: AC CONNECTION HEATER 1500 WATTS STD- 230 VAC ±5%-10% OPT- 115 VAC ±5%-10%
⑥	RAW WATER INLET	SEE NOTE 7.

UL LISTED DRIVESHAFT*		
ENGINE MODEL	DRIVESHAFT MODEL	COUPLING MODEL
DP6H-UFAA50, 88, 70, X8	CDS50-SC	TC45-14-81 FS

*For engine with speed of 1470 to 2100 RPM only.

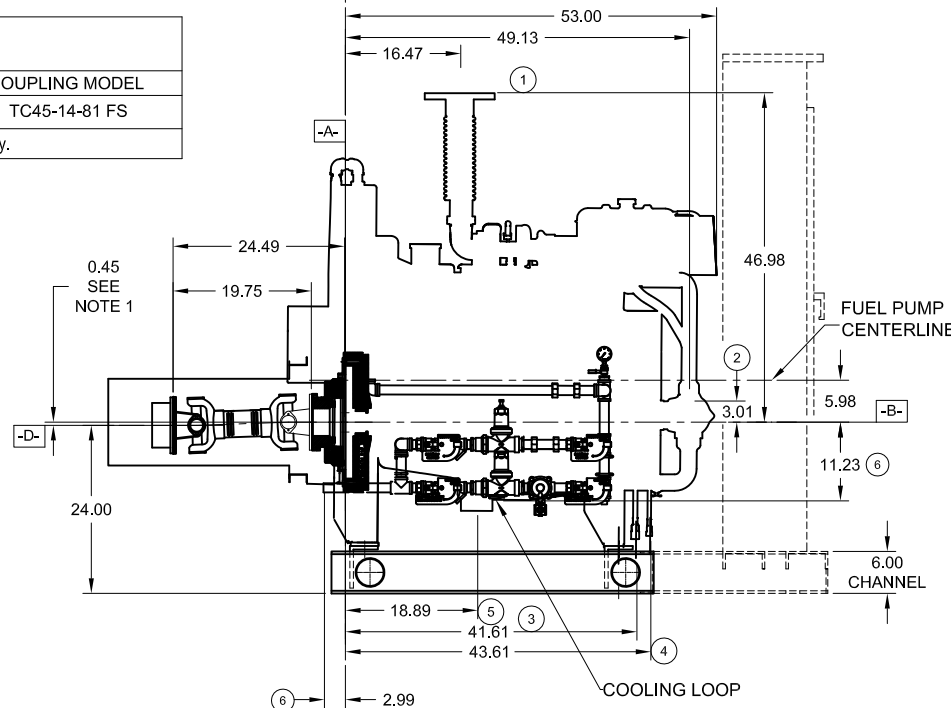
NON-LISTED DRIVESHAFT**		
ENGINE MODEL	DRIVESHAFT MODEL	COUPLING MODEL
DP6H-UFAA50, 62, 70	SC81A	TC45-14-81 FS

**For engine with speed of greater than 2100 RPM only.

EXHAUST CONNECTIONS	
ENGINE MODEL	EXHAUST MODEL
DP6H-UFAA50, 62, 88, X8	5" 150# FLANGE
DP6H-UFAA70	6" 150# FLANGE

NOTES:

- THE DRIVE SHAFT IS DESIGNED TO OPERATE AT A 2° ANGLE WITH THE INPUT AND OUTPUT SHAFTS IN PARALLEL. THE ENGINE CRANKSHAFT IS TO BE SET WITH A PARALLEL OFFSET OF 0.45 ±0.11 INCHES VERTICALLY ABOVE THE PUMP SHAFT AND 0.00" ±0.11 INCH PARALLEL OFFSET HORIZONTALLY RIGHT OR LEFT OF THE PUMP SHAFT. REFER TO THE CERTIFIED DRIVESHAFT INSTRUCTIONS MANUAL FOR ALIGNMENT INSTRUCTIONS.
- BASE MUST BE COMPLETELY FILLED WITH GROUT PER NFPA 20.
- ENGINE IS CW (CLOCKWISE) ROTATION WHEN VIEWED FROM THE HEAT EXCHANGER/FRONT.
- ALL DIMENSIONS ARE IN INCHES.
- SUCTION AND DISCHARGE FLANGES DRILLED PER ANSI B16.1 (IF APPLICABLE).
- RAW WATER OUTLET SIZE VARIES BASED UPON SITE CONDITIONS. DEFAULT SIZE: 1-1/4" NPT
- RAW WATER INLET SIZE VARIES BASED ON SITE CONDITIONS.



NOT FOR CONSTRUCTION, INSTALLATION OR APPLICATION PURPOSES UNLESS CERTIFIED.

CERTIFIED FOR:							APPROVAL		
							UL	FM	ULC
CUSTOMER ORDER NO:							IDENTIFICATION NO:		
							FLANGES		
PUMP DATA	SIZE	MODEL	CURVE NO.	GPM	HEAD (FT.)	ROTATION	SUCTION	DISCHARGE	
							CW		
ENGINE DATA	MAKE	MODEL	HP	RPM	VOLTAGE	POLARITY	MAX ALTITUDE		
	CLARKE					NEG.			
SHOP ORDER:			CERTIFIED BY:		TOTAL WEIGHT		DATE:		