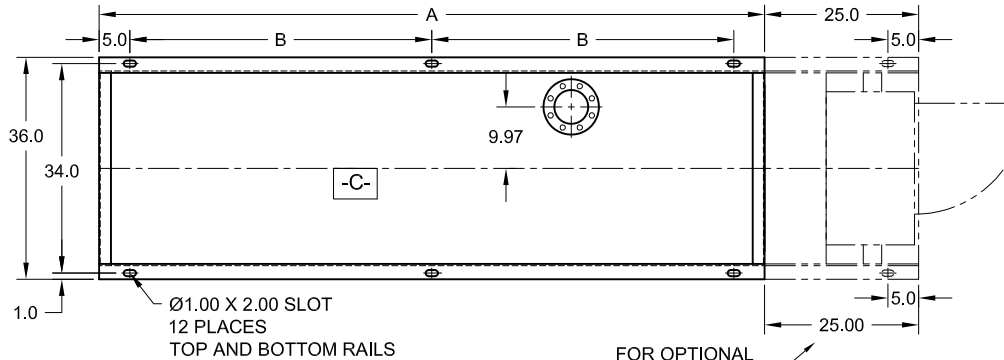


CLARKE FIRE PUMP DRIVERS NON-EMISSION ENGINE MODELS HSC 8100 SERIES PUMPS



- A- - MOUNTING FACE OF FLYWHEEL
- B- - ENGINE CRANKSHAFT HORIZONTAL CENTERLINE
- C- - ENGINE CRANKSHAFT VERTICAL CENTERLINE
- D- - PUMP SHAFT HORIZONTAL CENTERLINE

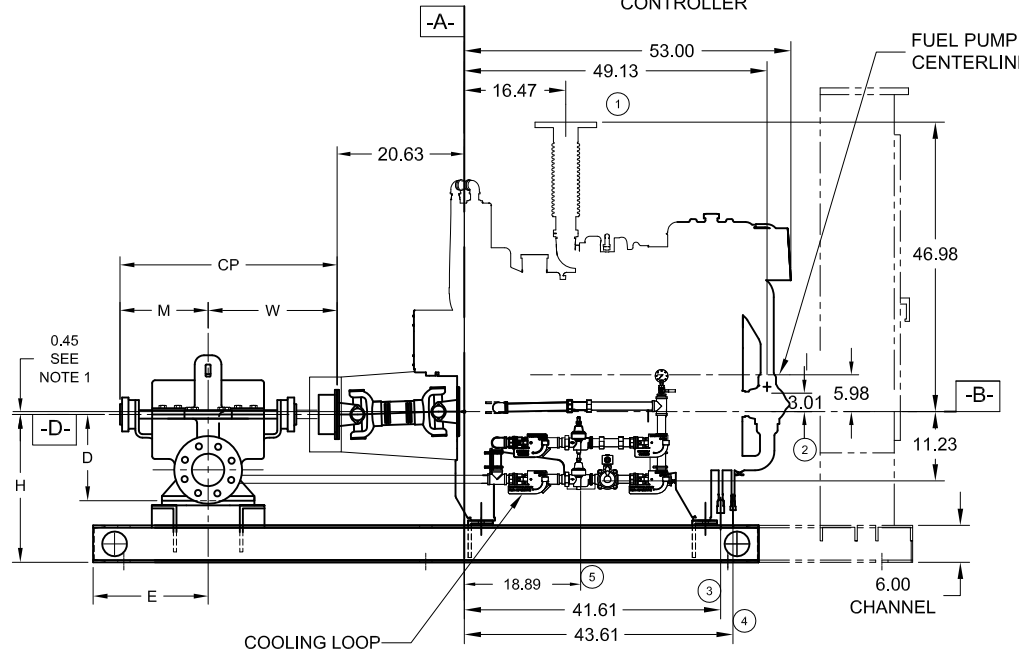
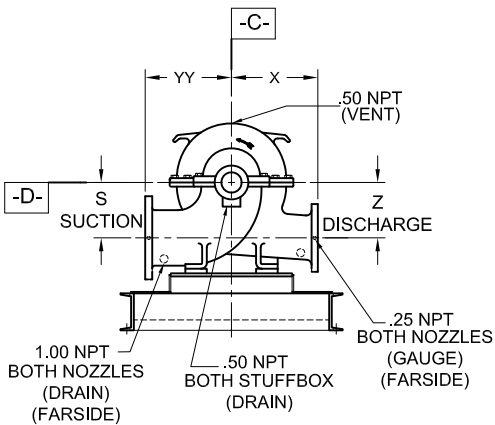


ITEM NO.	DESCRIPTION	CONNECTION SIZE
①	EXHAUST OUTLET CONNECTION	SEE EXHAUST LISTING
②	RAW WATER OUTLET	SEE NOTE 6.
③	FUEL SUPPLY CONNECTION	1/2" NPTF
④	FUEL RETURN CONNECTION	3/8" NPTF
⑤	HEATER JUNCTION BOX	VOLTAGE REQUIREMENTS: AC CONNECTION HEATER 1500 WATTS STD- 230 VAC ±5%-10% OPT- 115 VAC ±5%-10%

UL LISTED DRIVESHAFT*	
ENGINE MODEL	DRIVESHAFT MODEL
DP6H-UFAA50, 88, 70, X8	CDS50-SC
*For engine with speed of 1470 to 2100 RPM only.	

NON-LISTED DRIVESHAFT**	
ENGINE MODEL	DRIVESHAFT MODEL
DP6H-UFAA50, 62, 70	SC81A
**For engine with speed of greater than 2100 RPM only.	

EXHAUST CONNECTIONS	
ENGINE MODEL	EXHAUST MODEL
DP6H-UFAA50, 62, 88, X8	5" 150# FLANGE
DP6H-UFAA70	6" 150# FLANGE



- NOTES:
1. THE DRIVE SHAFT IS DESIGNED TO OPERATE AT A 2° ANGLE WITH THE INPUT AND OUTPUT SHAFTS IN PARALLEL. THE ENGINE CRANKSHAFT IS TO BE SET WITH A PARALLEL OFFSET OF 0.45 ±0.11 INCHES VERTICALLY ABOVE THE PUMP SHAFT AND 0.00" ±0.11 INCH PARALLEL OFFSET HORIZONTALLY RIGHT OR LEFT OF THE PUMP SHAFT. REFER TO THE CERTIFIED DRIVESHAFT INSTRUCTIONS MANUAL FOR ALIGNMENT INSTRUCTIONS.
 2. BASE MUST BE COMPLETELY FILLED WITH GROUT PER NFPA 20.
 3. PUMP IS CW (CLOCKWISE) ROTATION WHEN VIEWED FROM THE COUPLING END.
 4. ALL DIMENSIONS ARE IN INCHES.
 5. SUCTION AND DISCHARGE FLANGES DRILLED PER ANSI B16.1 (IF APPLICABLE).
 6. RAW WATER DRAIN PIPING SIZE VARIES BASED UPON SITE CONDITIONS. ENGINE CONN. SIZE: 1-1/4" NPT.

PUMP TYPE	PUMP SIZE		DIMENSIONS											
	SUCT.	DISCH.	A	B	H	E	M	W	CP	D	YY	X	S	Z
8X6X18F	8	6	108	49	24	18.75	15.62	21.25	36.87	14.00	16.00	14.00	9.00	9.00
10X8X17F	8	8	108	49	26	17.44	17.00	22.56	39.56	16.00	18.00	16.00	10.00	10.00
10X8X20F	10	8	108	49	30	17.44	17.00	22.56	39.56	20.00	20.00	18.00	14.00	14.00
12X10X18F	12	10	108	49	28	17.44	17.00	22.56	39.56	18.00	20.00	18.00	11.00	11.00

NOT FOR CONSTRUCTION, INSTALLATION OR APPLICATION PURPOSES UNLESS CERTIFIED.

CERTIFIED FOR:							APPROVAL		UL	FM	ULC
CUSTOMER ORDER NO:							IDENTIFICATION NO:				
PUMP DATA	SIZE	MODEL	CURVE NO.	GPM	HEAD (FT.)	ROTATION	FLANGES		SUCTION	DISCHARGE	
	MAKE	MODEL	HP	RPM	VOLTAGE	POLARITY	MAX ALTITUDE				
ENGINE DATA	CLARKE					NEG.					
SHOP ORDER:			CERTIFIED BY:			TOTAL WEIGHT		DATE:			