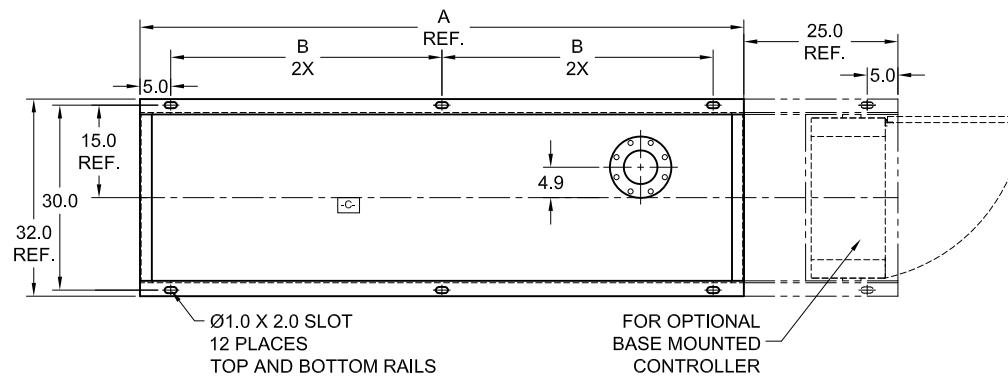


CLARKE FIRE PUMP DRIVERS
EPA NSPS TIER 1 ENGINE MODELS
HSC 8200 SERIES PUMPS

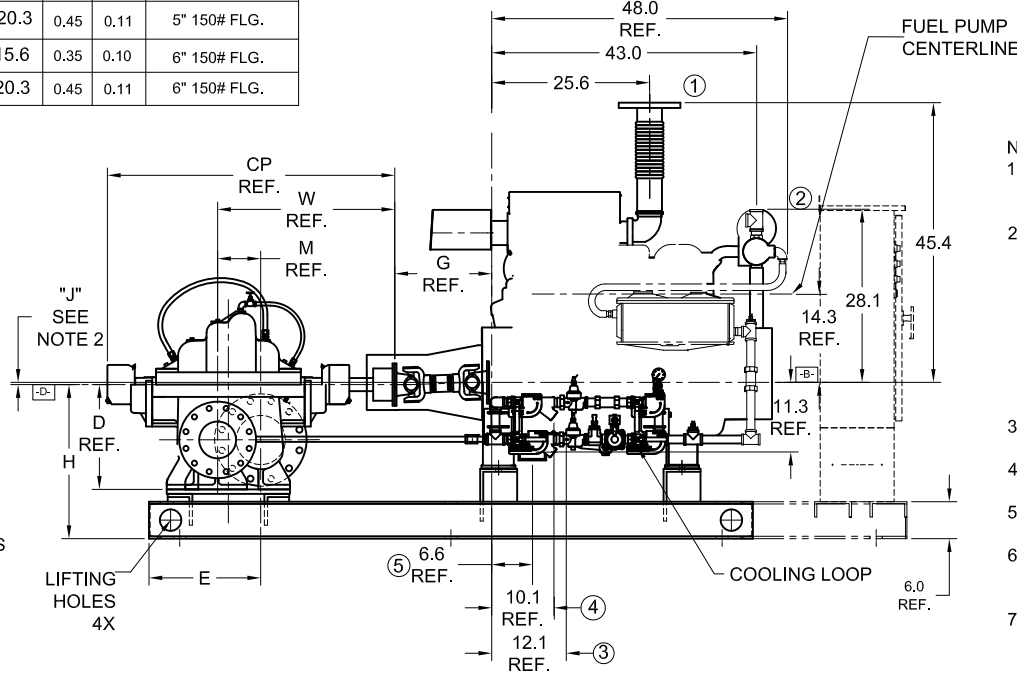
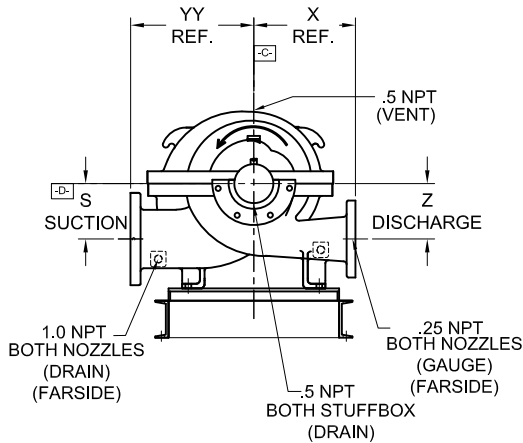


- A- - MOUNTING FACE OF FLYWHEEL
- B- - ENGINE CRANKSHAFT HORIZONTAL CENTERLINE
- C- - ENGINE CRANKSHAFT VERTICAL CENTERLINE
- D- - PUMP SHAFT HORIZONTAL CENTERLINE



UL LISTED DRIVESHAFTS						
ENGINE MODEL	DRIVESHAFT MODEL	DIM:G	DIM:J	DIM:K	EXHAUST SIZE	
JU6H-UF60*, 62*, 84	TRWA CDS30-S1	15.6	0.35	0.10	5" 150# FLG.	
JU6H-UFAAQ8, AARG, AAPG, AAS0, AAT8	TRWA CDS50-SC	20.3	0.45	0.11	5" 150# FLG.	
JU6H-UF94	TRWA SC61A-L	15.6	0.35	0.10	6" 150# FLG.	
JU6H-UFAAT0, AAT2	TRWA CDS50-SC	20.3	0.45	0.11	6" 150# FLG.	

*PLD option available for this model



ITEM NO.	DESCRIPTION	CONNECTION SIZE
①	EXHAUST OUTLET CONNECTION	SEE TABLE
②	RAW WATER OUTLET	SEE NOTE 6.
③	FUEL SUPPLY CONNECTION	1/2" NPTF
④	FUEL RETURN CONNECTION	3/8" NPTF
⑤	HEATER JUNCTION BOX	VOLTAGE REQUIREMENTS: AC CONNECTION HEATER 1360 WATTS STD- 115 VAC ±5%-10% OPT- 230 VAC ±5%-10%

NOTES:

1. GENERAL TOLERANCE: UNLESS OTHERWISE SPECIFIED, ALL DIMENSIONS ARE IN INCHES AND VARY 0.38".
2. THE DRIVE SHAFT IS DESIGNED TO OPERATE AT A 2° ANGLE WITH THE INPUT AND OUTPUT SHAFTS IN PARALLEL. THE ENGINE CRANKSHAFT IS TO BE SET WITH A PARALLEL OFFSET OF "J" ± "K" INCHES VERTICALLY ABOVE THE PUMP SHAFT AND 0.00" ± "K" INCH PARALLEL OFFSET HORIZONTALLY RIGHT OR LEFT OF THE PUMP SHAFT. REFER TO THE CERTIFIED DRIVESHAFT INSTRUCTIONS MANUAL FOR ALIGNMENT INSTRUCTIONS.
3. BASE MUST BE COMPLETELY FILLED WITH GROUT PER NFPA 20.
4. PUMP IS CW (CLOCKWISE) ROTATION WHEN VIEWED FROM THE COUPLING END.
5. SUCTION AND DISCHARGE FLANGES DRILLED PER ANSI B16.1 (IF APPLICABLE).
6. RAW WATER DRAIN PIPING SIZE VARIES BASED UPON SITE CONDITIONS. ENGINE CONN. SIZE: 1-1/4" NPT
7. CAUTION: ALL PLUMBING MUST BE SUPPORTED AND/OR ISOLATED SO THAT NO WEIGHT OR STRESS IS APPLIED TO ANY ENGINE COMPONENT.
8. CAUTION: SPREADER BARS REQUIRED TO MOVE PACKAGE. DAMAGE DUE TO IMPROPER HANDLING IS NOT WARRANTABLE

PUMP TYPE	PUMP SIZE		DIMENSIONS											
	SUCT.	DISCH.	A	B	H	E	M	W	CP	D	YY	X	S	Z
8x6x14 F	8	6	108.0	49.0	24.0	29.1	7.0	27.9	45.8	17.0	20.0	16.5	9.0	9.0
8x6x18 F	8	6	108.0	49.0	26.0	29.1	7.0	27.9	45.8	19.0	20.0	16.5	11.0	11.0

NOT FOR CONSTRUCTION, INSTALLATION OR APPLICATION PURPOSES UNLESS CERTIFIED.							
CERTIFIED FOR:				APPROVAL			
CUSTOMER ORDER NO:				IDENTIFICATION NO:			
PUMP DATA	SIZE	MODEL	CURVE NO.	GPM	HEAD (FT.)	ROTATION	FLANGES
	MAKE	MODEL	HP	RPM	VOLTAGE	POLARITY	SUCTION DISCHARGE
ENGINE DATA	CLARKE					NEG.	MAX ALTITUDE
SHOP ORDER:		CERTIFIED BY:			TOTAL WEIGHT		DATE: