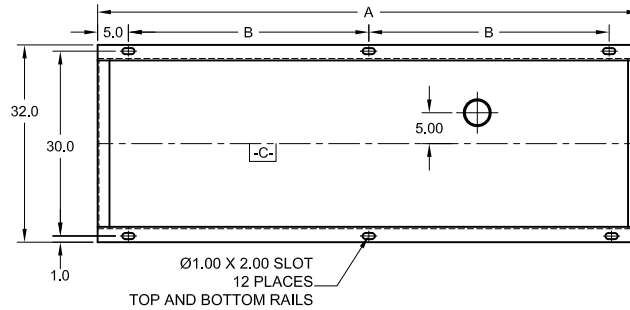


CLARKE FIRE PUMP DRIVERS
EPA NSPS TIER 1 ENGINE MODELS
HSC 8100 SERIES PUMPS

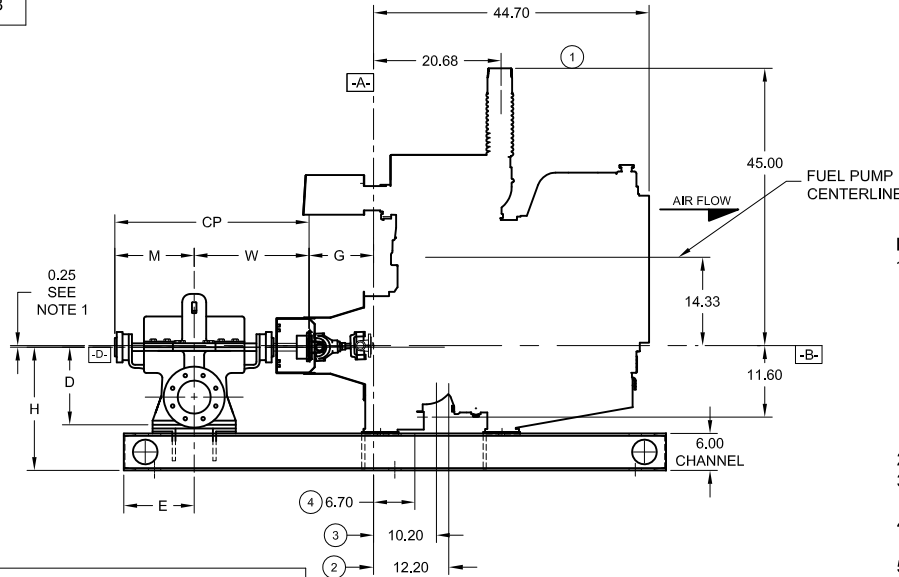
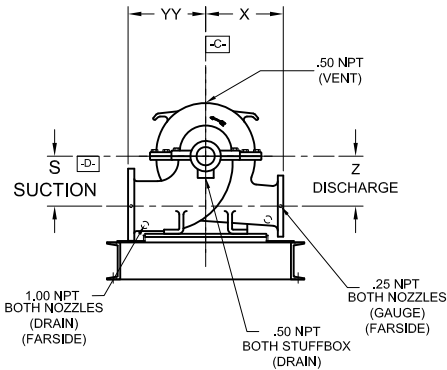


- A- - MOUNTING FACE OF FLYWHEEL
- B- - ENGINE CRANKSHAFT HORIZONTAL CENTERLINE
- C- - ENGINE CRANKSHAFT VERTICAL CENTERLINE
- D- - PUMP SHAFT HORIZONTAL CENTERLINE



UL LISTED DRIVESHAFT				
ENGINE MODEL	DRIVESHAFT MODEL	DIM: G	DIM: J	DIM: K
JU4R-UF40	CDS20-SC	11.00	0.25	0.09
JU4R-UF49,51,53	CDS30-S1	15.75	0.35	0.08

ITEM NO.	DESCRIPTION	CONNECTION SIZE
①	EXHAUST OUTLET CONNECTION	4" NPT FLEX EXHAUST
②	FUEL SUPPLY CONNECTION (FARSIDE)	1/2" NPTF
③	FUEL RETURN CONNECTION (FARSIDE)	3/8" NPTF
④	HEATER JUNCTION BOX	VOLTAGE REQUIREMENTS: AC CONNECTION HEATER 1500 WATTS STD -115VAC +5% -10% OPT -230VAC +5% -10%



NOTES:

1. THE DRIVE SHAFT IS DESIGNED TO OPERATE AT A 2° ANGLE WITH THE INPUT AND OUTPUT SHAFTS IN PARALLEL. THE ENGINE CRANKSHAFT IS TO BE SET WITH A PARALLEL OFFSET OF "J" ± "K" INCHES VERTICALLY ABOVE THE PUMP SHAFT AND 0.00" ± "K" INCH PARALLEL OFFSET HORIZONTALLY RIGHT OR LEFT OF THE PUMP SHAFT. REFER TO THE CERTIFIED DRIVESHAFT INSTRUCTIONS MANUAL FOR ALIGNMENT INSTRUCTIONS.
2. ALL DIMENSIONS ARE IN INCHES.
3. BASE MUST BE COMPLETELY FILLED WITH GROUT PER NFPA 20.
4. PUMP IS CW (CLOCKWISE) ROTATION WHEN VIEWED FROM THE COUPLING END.
5. SUCTION AND DISCHARGE FLANGES DRILLED PER ANSI B16.1 (IF APPLICABLE).

PUMP TYPE	PUMP SIZE		DIMENSIONS											
	SUCT.	DISCH.	A	B	H	E	M	W	CP	D	YY	X	S	Z
6X4X10F	6	4	88	39	20	11.50	14.62	18.50	33.12	11.00	13.00	11.50	6.50	6.50
6X4X11F	6	4	88	39	21	11.50	14.62	18.50	33.12	11.00	13.00	11.50	7.38	7.38
6X4X12F	6	4	88	39	21	12.50	13.25	17.50	30.75	12.00	13.00	11.50	7.75	7.75
8X6X9F	8	6	88	39	23	12.50	13.25	17.50	30.75	12.00	14.00	13.00	7.50	7.50
8X6X10F	8	6	88	39	23	11.50	14.62	18.50	33.12	14.00	15.00	11.50	7.75	7.75
8X6X12F-S	8	6	88	39	24	12.50	13.25	17.50	30.75	14.00	14.00	14.00	9.00	9.00
8X6X12F-M	8	6	88	39	24	11.50	14.62	18.50	33.12	14.00	14.00	14.00	9.00	9.00
8X6X13F	8	6	98	44	23	18.75	15.62	21.25	36.87	12.75	15.50	13.00	8.00	8.00
8X6X18F	8	6	98	44	24	18.75	15.62	21.25	36.87	14.00	16.00	14.00	9.00	9.00
8X8X12F	8	8	98	44	23	18.75	15.62	21.25	36.87	12.75	16.50	14.00	8.00	8.00
8X8X17F	8	8	98	44	24	17.44	17.00	22.56	39.56	14.50	16.50	15.00	9.50	9.50
10X8X17F	10	8	98	44	26	17.44	17.00	22.56	39.56	16.00	18.00	16.00	10.00	10.00

NOT FOR CONSTRUCTION, INSTALLATION OR APPLICATION PURPOSES UNLESS CERTIFIED.

CERTIFIED FOR:							APPROVAL		UL	FM	ULC	
CUSTOMER ORDER NO:							IDENTIFICATION NO:			FLANGES		
PUMP DATA	SIZE	MODEL	CURVE NO.	GPM	HEAD (FT.)	ROTATION	SUCTION	DISCHARGE				
							CW					
ENGINE DATA	MAKE	MODEL	HP	RPM	VOLTAGE	POLARITY	MAX ALTITUDE					
	CLARKE						NEG.					
SHOP ORDER:				CERTIFIED BY:			TOTAL WEIGHT		DATE:			