

JOB:

REPRESENTATIVE:

UNIT TAG:

ORDER NO.

DATE:

ENGINEER:

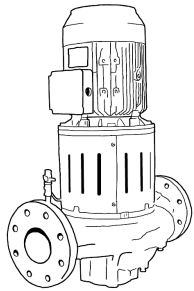
SUBMITTED BY:

DATE:

CONTRACTOR:

APPROVED BY:

DATE:



14x14x14 Series e-80SC In-Line Mounted Centrifugal Pumps

SPECIFICATIONS

FLOW _____ HEAD _____
 HP _____ RPM _____
 VOLTS _____
 CYCLE _____ INPUT PHASE _____
 ENCLOSURE _____
 APPROX. WEIGHT _____
 SPECIALS _____

MATERIALS OF CONSTRUCTION

Bronze Fitted

MAXIMUM WORKING PRESSURE

- 175 psi (12 bar) with 125# ANSI flange drilling
- 250 psi (17 bar) with 250# ANSI flange drilling (requires 80-S)

MOUNTING

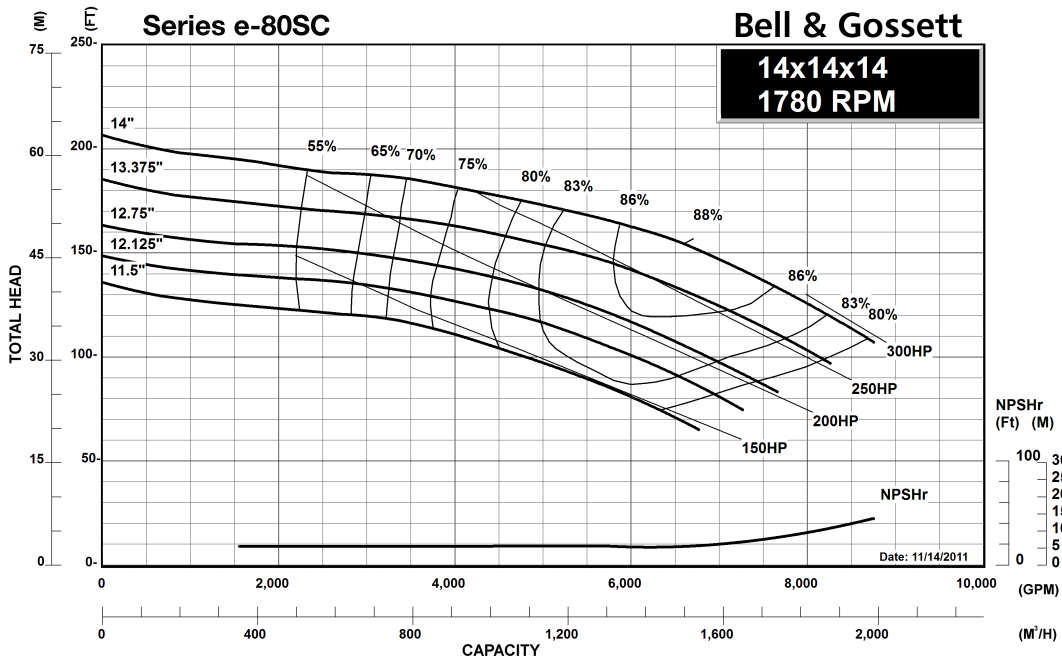
- In-Line Piping
- Flange Supports

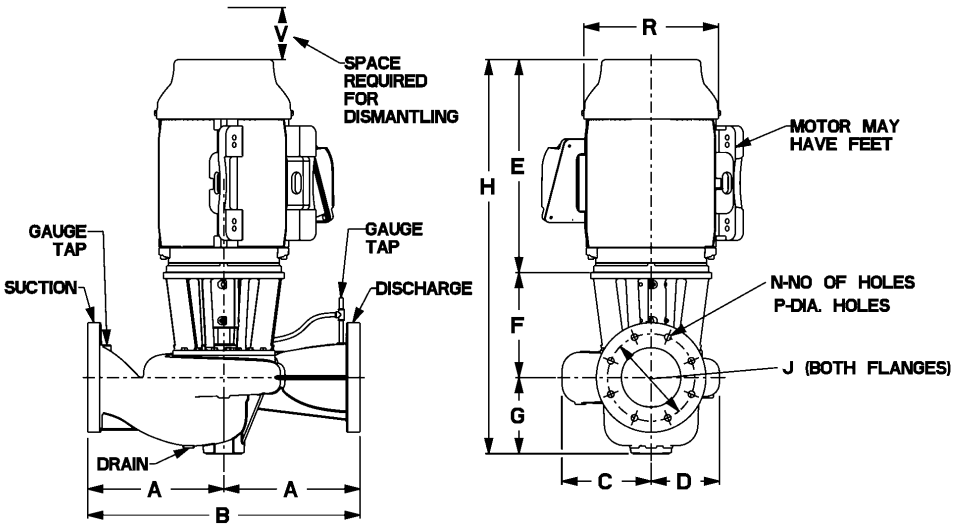
PUMP VARIABLE SPEED CONTROL

- Integrated Technologic® Sensorless Control (ITSC)
- Integrated Technologic® (IT)
- External input by others
- Pressure Sensor(s)
- Differential Pressure Sensor(s)
- Flow Sensor(s)
- By Others

TYPE OF FLUSHED SEAL

- Standard Internal (EPR/Carbon/Ceramic/SS)
- Inside Unitized (EPR/Carbon/Tungsten Carbide/SS)
- Inside Unitized (FKM/Carbon/Ceramic/SS)
- Inside Unitized (FKM/Carbon/Tungsten Carbide/SS)
- Outside (FKM/Carbon/Tungsten Carbide/SS)
- Outside (EPR/Carbon/Tungsten Carbide/SS)
- Inside 250# Unitized (EPR/Carbon/Tungsten Carbide/SS)
- Inside 250# (FKM/Carbon/Tungsten Carbide/SS)





14x14x14 Series e-80SC

Centrifugal Pump Submittal -
In-Line Piping

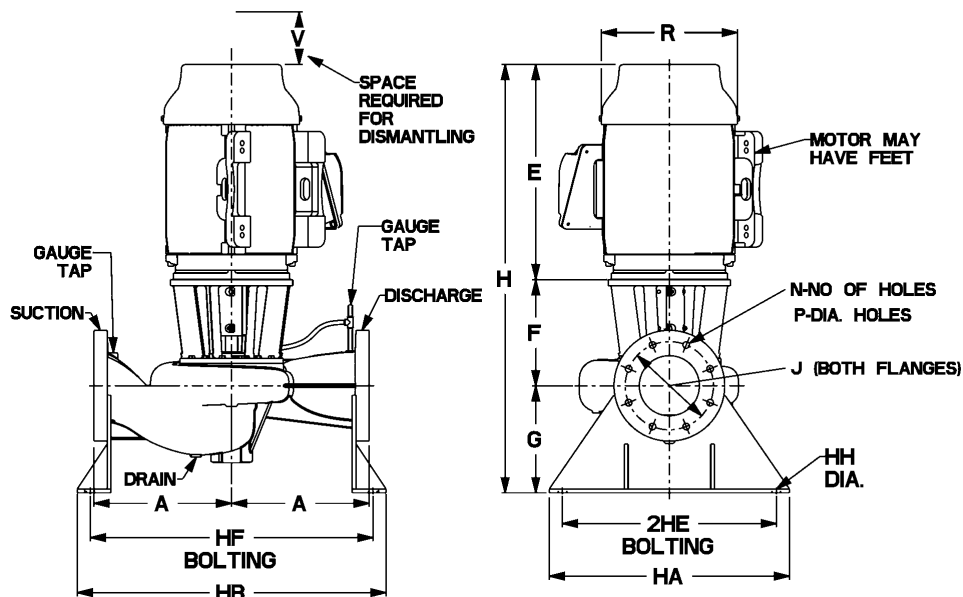
DIMENSIONS - Inches (mm) TC SHAFT MOTORS

MOTOR FRAME	A	B	C	D	E (max)	F	G	H (max)	125# ANSI			250# ANSI			R	V (min)	Suct/Disch Gauge Taps (NPT)	Drain Tap (NPT)
									J	N	P	J	N	P				
364TC	27.00 (686)	52.00 (1321)	14.06 (357)	20.50 (521)	28.69 (729)	27.00 (686)	13.88 (352)	69.56 (1767)	18.75 (476)	12	1.13 (29)	20.25 (514)	20	1.25 (32)	17.50 (445)	6.88 (175)	0.25	0.25
365TC	27.00 (686)	52.00 (1321)	14.06 (357)	20.50 (521)	28.69 (729)	27.00 (686)	13.88 (352)	69.56 (1767)	18.75 (476)	12	1.13 (29)	20.25 (514)	20	1.25 (32)	17.50 (445)	6.88 (175)	0.25	0.25
404TC	27.00 (686)	52.00 (1321)	14.06 (357)	20.50 (521)	32.50 (826)	27.00 (686)	13.88 (352)	73.38 (1864)	18.75 (476)	12	1.13 (29)	20.25 (514)	20	1.25 (32)	18.44 (468)	8.25 (210)	0.25	0.25
405TC	27.00 (686)	52.00 (1321)	14.06 (357)	20.50 (521)	32.50 (826)	27.00 (686)	13.88 (352)	73.38 (1864)	18.75 (476)	12	1.13 (29)	20.25 (514)	20	1.25 (32)	18.44 (468)	8.25 (210)	0.25	0.25
444TC	27.00 (686)	52.00 (1321)	14.06 (357)	20.50 (521)	47.88 (1216)	28.25 (718)	13.88 (352)	90.00 (2286)	18.75 (476)	12	1.13 (29)	20.25 (514)	20	1.25 (32)	22.69 (576)	9.50 (241)	0.25	0.25
445TC	27.00 (686)	52.00 (1321)	14.06 (357)	20.50 (521)	47.88 (1216)	28.25 (718)	13.88 (352)	90.00 (2286)	18.75 (476)	12	1.13 (29)	20.25 (514)	20	1.25 (32)	22.69 (576)	9.50 (241)	0.25	0.25
447TC	27.00 (686)	52.00 (1321)	14.06 (357)	20.50 (521)	47.88 (1216)	28.25 (718)	13.88 (352)	90.00 (2286)	18.75 (476)	12	1.13 (29)	20.25 (514)	20	1.25 (32)	22.69 (576)	9.50 (241)	0.25	0.25
449TC	27.00 (686)	52.00 (1321)	14.06 (357)	20.50 (521)	47.88 (1216)	28.25 (718)	13.88 (352)	90.00 (2286)	18.75 (476)	12	1.13 (29)	20.25 (514)	20	1.25 (32)	22.69 (576)	9.50 (241)	0.25	0.25

Dimensions are subject to change. Not to be used for construction purposes unless certified.



Xylem Inc.
8200 N. Austin Avenue, Morton Grove, IL 60053
Phone: (847)966-3700 Fax: (847)965-8379
www.bellgossett.com
Bell & Gossett is a trademark of Xylem Inc. or one of its subsidiaries. © 2019 Xylem Inc.



14x14x14 Series e-80SC Centrifugal Pump Submittal - Flange Support Mounting

DIMENSIONS - Inches (mm)

TC SHAFT MOTORS

MOTOR FRAME	A	HF BOLTING	HB	2HE BOLTING	HA	HH DIA	E (max)	F	G	H (max)	125# ANSI			250# ANSI			R	V (min)	Suct/Disch Gauge Taps (NPT)	Drain Tap (NPT)
											J	N	P	J	N	P				
364TC	27.00 (686)	52.24 (1327)	55.74 (1416)	28.50 (724)	32.00 (813)	1.13 (29)	28.69 (729)	27.00 (686)	13.88 (352)	69.56 (1767)	18.75 (476)	12	1.13 (29)	20.25 (514)	20	1.25 (32)	17.50 (445)	6.88 (175)	0.25	0.25
365TC	27.00 (686)	52.24 (1327)	55.74 (1416)	28.50 (724)	32.00 (813)	1.13 (29)	28.69 (729)	27.00 (686)	13.88 (352)	69.56 (1767)	18.75 (476)	12	1.13 (29)	20.25 (514)	20	1.25 (32)	17.50 (445)	6.88 (175)	0.25	0.25
404TC	27.00 (686)	52.24 (1327)	55.74 (1416)	28.50 (724)	32.00 (813)	1.13 (29)	32.50 (826)	27.00 (686)	13.88 (352)	73.38 (1864)	18.75 (476)	12	1.13 (29)	20.25 (514)	20	1.25 (32)	18.44 (468)	8.25 (210)	0.25	0.25
405TC	27.00 (686)	52.24 (1327)	55.74 (1416)	28.50 (724)	32.00 (813)	1.13 (29)	32.50 (826)	27.00 (686)	13.88 (352)	73.38 (1864)	18.75 (476)	12	1.13 (29)	20.25 (514)	20	1.25 (32)	18.44 (468)	8.25 (210)	0.25	0.25
444TC	27.00 (686)	52.24 (1327)	55.74 (1416)	28.50 (724)	32.00 (813)	1.13 (29)	47.88 (1216)	28.25 (718)	13.88 (352)	90.00 (2286)	18.75 (476)	12	1.13 (29)	20.25 (514)	20	1.25 (32)	22.69 (576)	9.50 (241)	0.25	0.25
445TC	27.00 (686)	52.24 (1327)	55.74 (1416)	28.50 (724)	32.00 (813)	1.13 (29)	47.88 (1216)	28.25 (718)	13.88 (352)	90.00 (2286)	18.75 (476)	12	1.13 (29)	20.25 (514)	20	1.25 (32)	22.69 (576)	9.50 (241)	0.25	0.25
447TC	27.00 (686)	52.24 (1327)	55.74 (1416)	28.50 (724)	32.00 (813)	1.13 (29)	47.88 (1216)	28.25 (718)	13.88 (352)	90.00 (2286)	18.75 (476)	12	1.13 (29)	20.25 (514)	20	1.25 (32)	22.69 (576)	9.50 (241)	0.25	0.25
449TC	27.00 (686)	52.24 (1327)	55.74 (1416)	28.50 (724)	32.00 (813)	1.13 (29)	47.88 (1216)	28.25 (718)	13.88 (352)	90.00 (2286)	18.75 (476)	12	1.13 (29)	20.25 (514)	20	1.25 (32)	22.69 (576)	9.50 (241)	0.25	0.25

Dimensions are subject to change. Not to be used for construction purposes unless certified.