

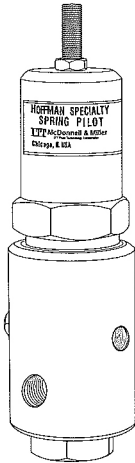


Bell & Gossett
a xylem brand

SUBMITTAL

HS-605C

JOB	HOFFMAN SPECIALTY REPRESENTATIVE		
UNIT TAG NO.	ORDER NO.	DATE	
ENGINEER	SUBMITTED BY	DATE	
CONTRACTOR	APPROVED BY	DATE	



Hoffman Specialty®
Series 2000 Pressure
and/or Temperature
Steam Regulators
Spring Pressure Pilots
Model SSP-12
Model SSP-50
Model SSP-225

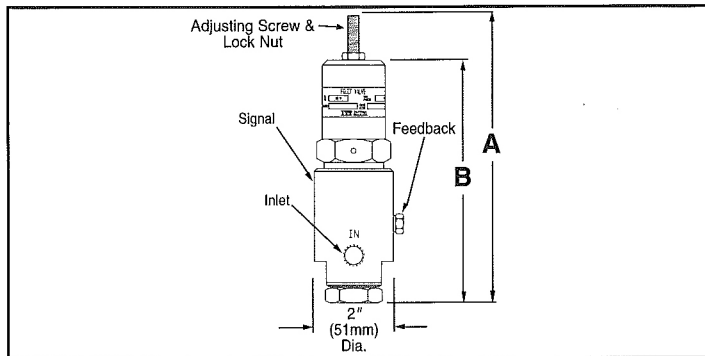
Ratings			
Model Number	Outlet Pressure Range psig (bar)	Maximum Pressure psig (bar)	Weight (Approx.) lbs. (kg.)
SSP-12*	1/2 - 12 (.034-.83)	30 (2.1)	5 (2.3)
SSP-50	2 - 50 (.14-3.5)	250 (17.3)	5 (2.3)
SSP-225	40 - 225 (2.8-15.5)	250 (17.3)	5 (2.3)

Set Pressure _____ psig (bar)

* Only use with Model 2150 or 2250 low pressure main valves

Note: When Spring pilots are used with Safety Relief valves, the Safety Relief valve must be at least 5 psi (.35 bar) higher than the desired steam operating pressure

Dimensions in. (mm)



Materials of Construction	
Part	Specifications
Body	Steel ASTM A108
Pin	Stainless Steel ASTM A581
Seat	Stainless Steel ASTM A582
Diaphragm Buttons	Stainless Steel ASTM A582
Spring	Stainless Steel ASTM A313
Strainer	Stainless Steel ASTM A240
Diaphragm	Beryllium Copper ASTM B194
Gaskets	Copper ASTM B152

Model	A	B
SSP-12	7 1/4 (184)	6 3/16 (157)
SSP-50	7 1/4 (184)	6 3/16 (157)
SSP-225	7 1/4 (184)	6 3/16 (157)

xylem
Let's Solve Water

Xylem Inc.
8200 N. Austin Avenue
Morton Grove, Illinois 60053
Phone: (847) 966-3700
Fax: (847) 965-8379
www.bellgossett.com

Bell & Gossett is a trademark of Xylem Inc. or one of its subsidiaries.
© 2015 Xylem Inc. HS-605C June 2015