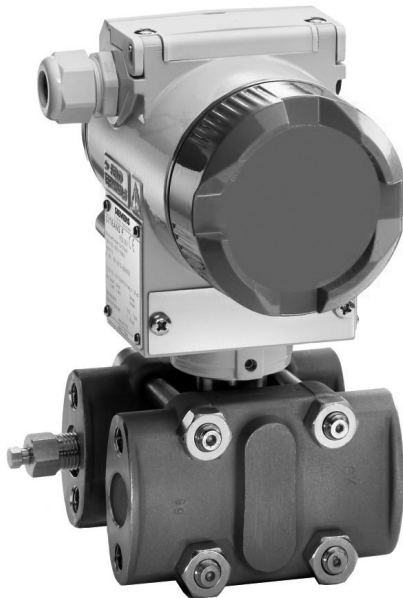


SENSOR/TRANSMITTER

PRESSURE SENSOR/TRANSMITTERS FOR PUMPS WITH TECHNOLOGIC® DRIVES



Differential Pressure Transmitter

The rugged Bell & Gossett Pressure Differential Pressure Sensor/Transmitters precisely measure system conditions and transmits a proportional 4 to 20 mA dc signal to the Technologic Controller.

These capacitance type units are calibrated to a standard range, but can be re-calibrated at the factory to meet a variety of conditions.

INSTALLATION CONSIDERATIONS

- Standard 18 AWG (1.194 mm dia.) 2 wire shielded cable located in a conduit separate from high voltage wiring
- 24 vdc power supplied from Technologic Controller

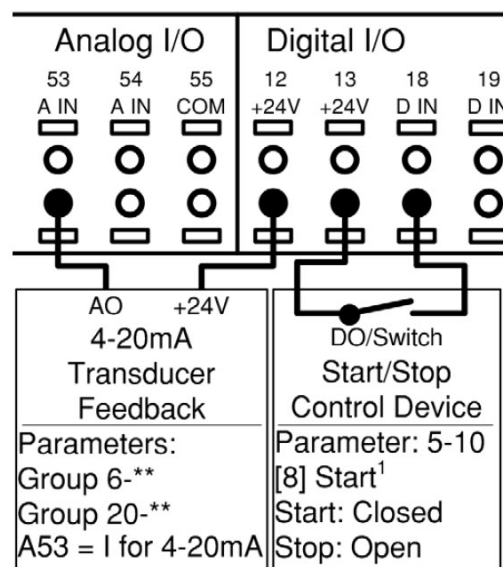
STANDARD FEATURES

- Completely self contained two wire unit
- Takes accurate pressure readings and relays them to the Technologic controller up to 2000 ft. (610 m) away
- No separate power source required for distances less than 2000 ft. (610 m)
- All wetted parts are 316 stainless steel
- Built-in RFI filter effective from 20 to 1000 MHZ
- Housed in NEMA 4X enclosure
- Unit accuracy is 0.07% full span
- Withstands static pressures up to 2300 PSI (15858 kPa)
- Mounting hardware
- 3 Valve bypass manifold (optional)
- 10 lbs. (4.5 kg) approximate weight

B&G PART NUMBERS

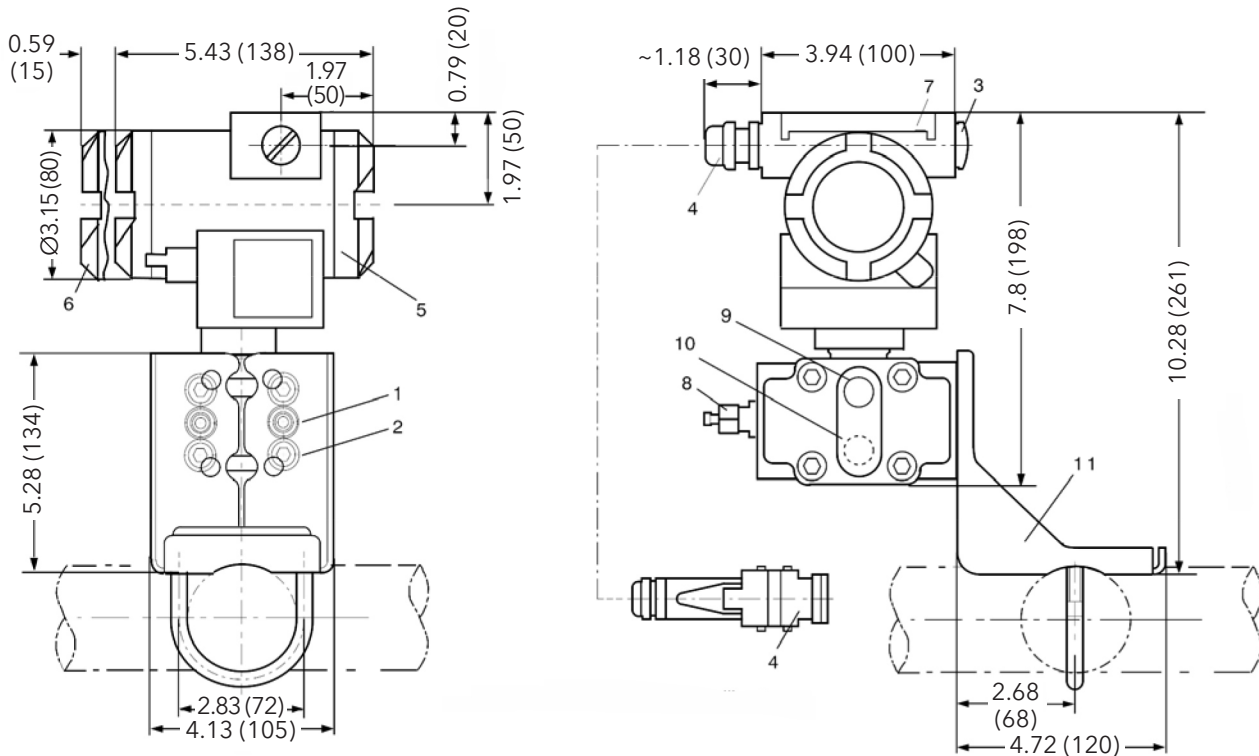
S100089 Pressure range: 0 - 40 psi (0 - 276 kPa)
 S100091 Pressure range: 0 - 70 psi (0 - 483 kPa)
 S100092 Pressure range: 0 - 100 psi (0 - 689 kPa)

TECHNOLOGIC ANALOG SENSOR WIRING



DIFFERENTIAL PRESSURE TRANSMITTER

Outline Dimension Drawings - Dimensions In Inches (Millimeters)



- | | |
|--|---|
| <ul style="list-style-type: none"> 1 Process connection 1/4-18NPT for absolute pressure (+) side 2 Mounting thread 7/16-20 UNF to EN 61518 3 Dummy plug 4 Electrical connection: Screwed gland 1/2-14 NPT 5 Connection side | <ul style="list-style-type: none"> 6 Electronic side, no digital display 7 Access cover over magnetic pushbuttons 8 Sealing screw with vent shown (optional) 9 Side vent for measuring liquid 10 Side vent for measuring gas (supplement H02) 11 Mounting bracket (2 shackles, 4 nuts, 4 U-plates, 1 angle) made of steel |
|--|---|

SENSOR/TRANSMITTER SPECIFICATION

Differential Pressure Transmitter

Furnish () field mounted differential pressure transmitter(s) as indicated on plans for measuring differential pressure and transmitting an isolated linear 4-20 mA dc output for use in a standard two wire 24V dc system. The unit shall be accurate to $\pm 0.07\%$ of full span, have an adjustable span limit between _____ and _____ psi and shall withstand over ranges up

to a static pressure of 2300 psi with negligible change in output. It shall have stainless steel wetted parts with 1/4" NPT process connection. A 3 valve bypass manifold shall be available as an option. The unit shall be protected against radio frequency interference and shall have a water tight (NEMA Type 4x) electrical enclosure with 1/2" NPT conduit connection.



Xylem Inc.
 2881 East Bayard Street Ext., Suite A
 Seneca Falls, NY 13148
 Phone: (844) XYL-PUMP [844-995-7867]
 Fax: (888) 322-5877
www.bellgossett.com

We value your feedback. Please take our 3 question survey at **bellgossett.com/survey** to let us know how we are doing.