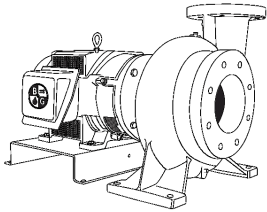


JOB: _____  UNIT TAG: _____ ENGINEER: _____ CONTRACTOR: _____	REPRESENTATIVE: _____  ORDER NO. _____ SUBMITTED BY: _____ APPROVED BY: _____  DATE: _____ DATE: _____ DATE: _____
---	--



# 5EB

## Series e-1532

### Close-Coupled Centrifugal Pumps

**SPECIFICATIONS**

FLOW \_\_\_\_\_ HEAD \_\_\_\_\_  
 HP \_\_\_\_\_ RPM \_\_\_\_\_  
 VOLTS \_\_\_\_\_  
 CYCLE \_\_\_\_\_ PHASE \_\_\_\_\_  
 ENCLOSURE \_\_\_\_\_  
 APPROX. WEIGHT \_\_\_\_\_  
 SPECIALS \_\_\_\_\_

**MATERIALS OF CONSTRUCTION**

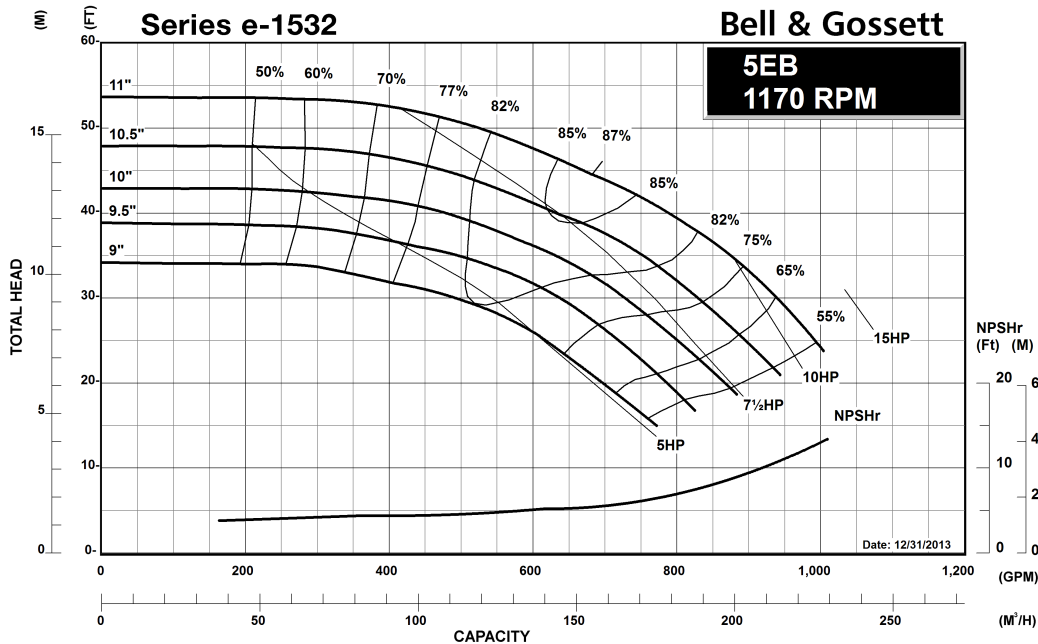
Stainless Steel Fitted

**MAXIMUM WORKING PRESSURE**

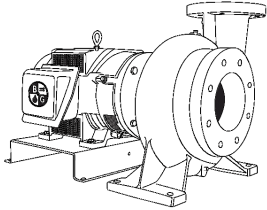
175 psi (12 bar) W.P.  
with 125# ANSI flange drilling

**TYPE OF SEAL**

- Standard Seal (Buna-Carbon/Ceramic)
- F Standard Seal w/ Flush Line (Buna-Carbon/Ceramic)
- S Stuffing Box Construction w/ Flushed Mechanical Single Seal (EPR-Tungsten Carbide/Carbon)
- PF Stuffing Box Construction w/ Flushed Packing (Graphite Impregnated Teflon)



JOB:	REPRESENTATIVE:	
UNIT TAG:	ORDER NO.	DATE:
ENGINEER:	SUBMITTED BY:	DATE:
CONTRACTOR:	APPROVED BY:	DATE:



# 5EB

## Series e-1532

### Close-Coupled Centrifugal Pumps

**SPECIFICATIONS**

FLOW \_\_\_\_\_ HEAD \_\_\_\_\_

HP \_\_\_\_\_ RPM \_\_\_\_\_

VOLTS \_\_\_\_\_

CYCLE \_\_\_\_\_ PHASE \_\_\_\_\_

ENCLOSURE \_\_\_\_\_

APPROX. WEIGHT \_\_\_\_\_

SPECIALS \_\_\_\_\_

**MATERIALS OF CONSTRUCTION**

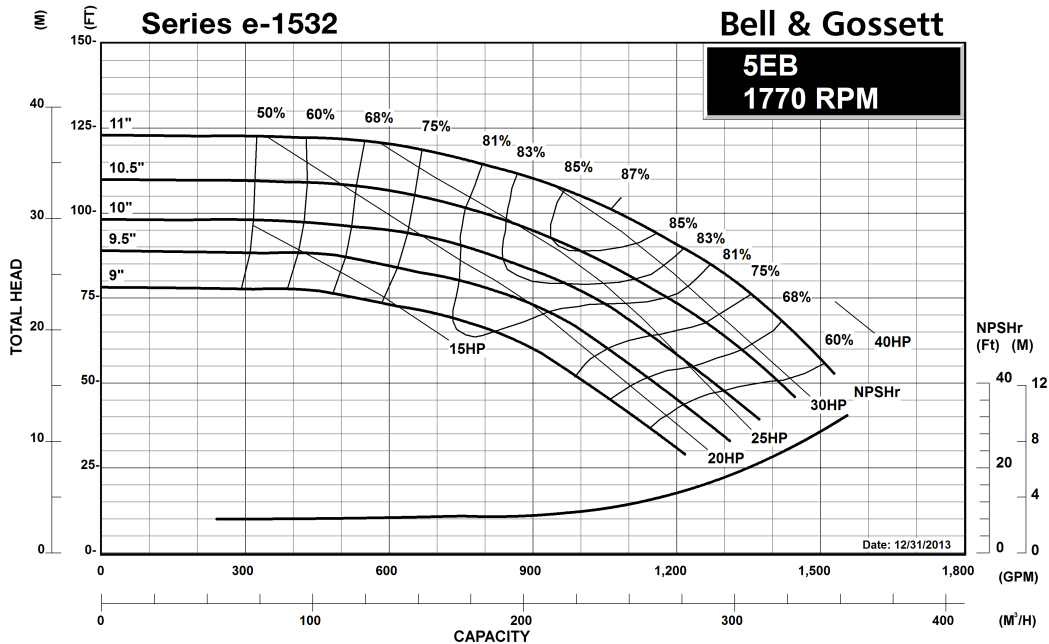
Stainless Steel Fitted

**MAXIMUM WORKING PRESSURE**

175 psi (12 bar) W.P.  
with 125# ANSI flange drilling

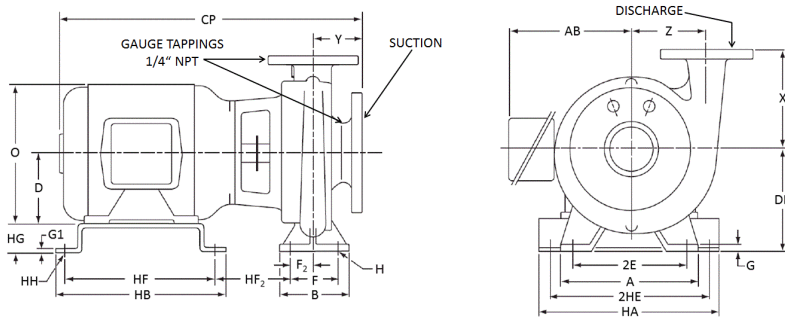
**TYPE OF SEAL**

- Standard Seal (Buna-Carbon/Ceramic)
- F Standard Seal w/ Flush Line (Buna-Carbon/Ceramic)
- S Stuffing Box Construction w/ Flushed Mechanical Single Seal (EPR-Tungsten Carbide/Carbon)
- PF Stuffing Box Construction w/ Flushed Packing (Graphite Impregnated Teflon)



Series e-1532 5EB Centrifugal Pump Submittal

B-881.36B



PUMP DIMENSIONS - INCHES (MM)		
X	Y	Z
10.50 (267)	5.55 (141)	7.94 (202)

FLANGE DIMENSIONS - INCHES (MM)						
125# ANSI FLAT FACE	NOMINAL PIPE SIZE	O.D.	THICKNESS	BOLT CIRCLE DIAMETER	NO. OF BOLTS	SIZE OF BOLTS
DISCHARGE	5	11.00 (279)	1.44 (37)	8.50 (216)	8	0.75 (19)
SUCTION	6	12.50 (318)	1.50 (38)	9.50 (241)	8	0.75 (19)

DIMENSIONS - INCHES (mm)

STANDARD SEAL

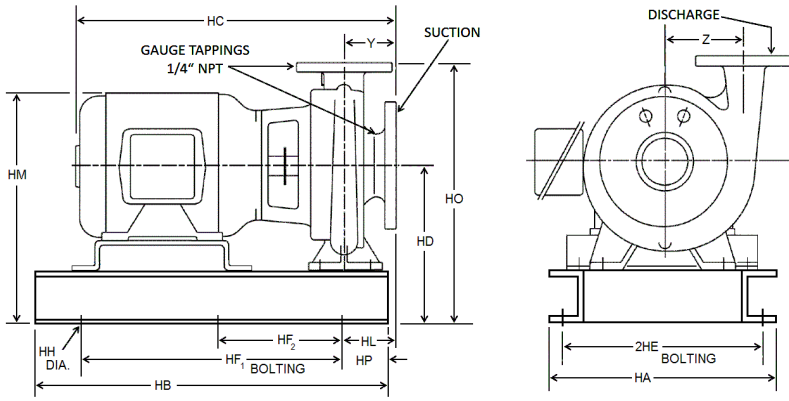
MOTOR FRAME	A	AB	HB	CP MAX	D	HF	G	G1	H	HH	HA	F2	2E	2HE	HF2 MAX	B	F	O	HG	DD
254JM	16.00 (406)	10.75 (273)	16.00 (406)	31.05 (789)	6.25 (159)	14.50 (368)	0.88 (22)	0.25 (6)	0.63 (16)	0.63 (16)	14.00 (356)	2.45 (62)	14.00 (356)	12.50 (318)	5.23 (133)	7.00 (178)	5.00 (127)	13.13 (333)	4.75 (121)	11.00 (279)
256JM	16.00 (406)	10.75 (273)	16.00 (406)	32.80 (833)	6.25 (159)	14.50 (368)	0.88 (22)	0.25 (6)	0.63 (16)	0.63 (16)	14.00 (356)	2.45 (62)	14.00 (356)	12.50 (318)	5.23 (133)	7.00 (178)	5.00 (127)	13.13 (333)	4.75 (121)	11.00 (279)
284JM	16.00 (406)	12.63 (321)	17.00 (432)	32.17 (817)	7.00 (178)	15.50 (394)	0.88 (22)	0.25 (6)	0.63 (16)	0.63 (16)	14.00 (356)	2.45 (62)	14.00 (356)	12.50 (318)	5.23 (133)	7.00 (178)	5.00 (127)	15.00 (381)	4.00 (102)	11.00 (279)
286JM	16.00 (406)	12.63 (321)	17.00 (432)	33.67 (855)	7.00 (178)	15.50 (394)	0.88 (22)	0.25 (6)	0.63 (16)	0.63 (16)	14.00 (356)	2.45 (62)	14.00 (356)	12.50 (318)	5.23 (133)	7.00 (178)	5.00 (127)	15.00 (381)	4.00 (102)	11.00 (279)
324JM	16.00 (406)	15.13 (384)	18.00 (457)	35.17 (893)	8.00 (203)	16.50 (419)	0.88 (22)	0.25 (6)	0.63 (16)	0.63 (16)	15.75 (400)	2.45 (62)	14.00 (356)	12.50 (318)	7.98 (203)	7.00 (178)	5.00 (127)	17.00 (432)	3.00 (76)	11.00 (279)

DIMENSIONS - INCHES (mm)

STUFFING BOX

MOTOR FRAME	A	AB	HB	CP MAX	D	HF	G	G1	H	HH	HA	F2	2E	2HE	HF2 MAX	B	F	O	HG	DD
254JP	16.00 (406)	10.75 (273)	16.00 (406)	33.88 (860)	6.25 (159)	14.50 (368)	0.88 (22)	0.25 (6)	0.63 (16)	0.63 (16)	14.00 (356)	2.45 (62)	14.00 (356)	12.50 (318)	8.06 (205)	7.00 (178)	5.00 (127)	13.13 (333)	4.75 (121)	11.00 (279)
256JP	16.00 (406)	10.75 (273)	16.00 (406)	35.63 (905)	6.25 (159)	14.50 (368)	0.88 (22)	0.25 (6)	0.63 (16)	0.63 (16)	14.00 (356)	2.45 (62)	14.00 (356)	12.50 (318)	8.06 (205)	7.00 (178)	5.00 (127)	13.13 (333)	4.75 (121)	11.00 (279)
284JP	16.00 (406)	12.63 (321)	17.00 (432)	35.00 (889)	7.00 (178)	15.50 (394)	0.88 (22)	0.25 (6)	0.63 (16)	0.63 (16)	14.00 (356)	2.45 (62)	14.00 (356)	12.50 (318)	8.06 (205)	7.00 (178)	5.00 (127)	15.00 (381)	4.00 (102)	11.00 (279)
286JP	16.00 (406)	12.63 (321)	17.00 (432)	36.50 (927)	7.00 (178)	15.50 (394)	0.88 (22)	0.25 (6)	0.63 (16)	0.63 (16)	14.00 (356)	2.45 (62)	14.00 (356)	12.50 (318)	8.06 (205)	7.00 (178)	5.00 (127)	15.00 (381)	4.00 (102)	11.00 (279)
324JP	16.00 (406)	15.13 (384)	18.00 (457)	38.00 (965)	8.00 (203)	16.50 (419)	0.88 (22)	0.25 (6)	0.63 (16)	0.63 (16)	15.75 (400)	2.45 (62)	14.00 (356)	12.50 (318)	10.81 (275)	7.00 (178)	5.00 (127)	17.00 (432)	3.00 (76)	11.00 (279)

Dimensions are subject to change. Not to be used for construction purposes unless certified.



PUMP DIMENSIONS - INCHES (MM)	
Y	Z
5.55 (141)	7.94 (202)

FLANGE DIMENSIONS - INCHES (MM)						
125# ANSI FLAT FACE	NOMINAL PIPE SIZE	O.D.	THICKNESS	BOLT CIRCLE DIAMETER	NO. OF BOLTS	SIZE OF BOLTS
DISCHARGE	5	11.00 (279)	1.44 (37)	8.50 (216)	8	0.75 (19)
SUCTION	6	12.50 (318)	1.50 (38)	9.50 (241)	8	0.75 (19)

DIMENSIONS - INCHES (mm)

STANDARD SEAL

MOTOR FRAME	HA	HB	HC MAX	HD	2HE	HF1	HF2	HH	HL	HM MAX	HO	HP
254JM	16.00 (406)	46.50 (1181)	31.05 (789)	15.00 (381)	14.00 (356)	36.50 (927)	18.25 (464)	0.88 (22)	4.44 (113)	21.88 (556)	25.50 (648)	5.00 (127)
256JM	16.00 (406)	46.50 (1181)	32.80 (833)	15.00 (381)	14.00 (356)	36.50 (927)	18.25 (464)	0.88 (22)	4.44 (113)	21.88 (556)	25.50 (648)	5.00 (127)
284JM	16.00 (406)	46.50 (1181)	32.17 (817)	15.00 (381)	14.00 (356)	36.50 (927)	18.25 (464)	0.88 (22)	4.44 (113)	23.00 (584)	25.50 (648)	5.00 (127)
286JM	16.00 (406)	46.50 (1181)	33.67 (855)	15.00 (381)	14.00 (356)	33.67 (855)	18.25 (464)	0.88 (22)	4.44 (113)	23.00 (584)	25.50 (648)	5.00 (127)
324JM	16.00 (406)	46.50 (1181)	35.17 (893)	15.00 (381)	14.00 (356)	36.50 (927)	18.25 (464)	0.88 (22)	4.44 (113)	24.13 (613)	25.50 (648)	5.00 (127)

DIMENSIONS - INCHES (mm)

STUFFING BOX

MOTOR FRAME	HA	HB	HC MAX	HD	2HE	HF1	HF2	HH	HL	HM MAX	HO	HP
254JP	16.00 (406)	46.50 (1181)	33.88 (860)	15.00 (381)	14.00 (356)	36.50 (927)	18.25 (464)	0.88 (22)	4.44 (113)	21.88 (556)	25.50 (648)	5.00 (127)
256JP	16.00 (406)	46.50 (1181)	35.63 (905)	15.00 (381)	14.00 (356)	36.50 (927)	18.25 (464)	0.88 (22)	4.44 (113)	21.88 (556)	25.50 (648)	5.00 (127)
284JP	16.00 (406)	46.50 (1181)	35.00 (889)	15.00 (381)	14.00 (356)	36.50 (927)	18.25 (464)	0.88 (22)	4.44 (113)	23.00 (584)	25.50 (648)	5.00 (127)
286JP	16.00 (406)	46.50 (1181)	36.50 (927)	15.00 (381)	14.00 (356)	36.50 (927)	18.25 (464)	0.88 (22)	4.44 (113)	23.00 (584)	25.50 (648)	5.00 (127)
324JP	16.00 (406)	46.50 (1181)	38.00 (965)	15.00 (381)	14.00 (356)	36.50 (927)	18.25 (464)	0.88 (22)	4.44 (113)	24.13 (613)	25.50 (648)	5.00 (127)

Dimensions are subject to change. Not to be used for construction purposes unless certified.