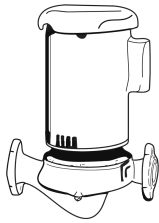


<b>JOB:</b>	<b>REPRESENTATIVE:</b>	
<b>UNIT TAG:</b>	<b>ORDER NO.</b>	<b>DATE:</b>
<b>ENGINEER:</b>	<b>SUBMITTED BY:</b>	<b>DATE:</b>
<b>CONTRACTOR:</b>	<b>APPROVED BY:</b>	<b>DATE:</b>



## 2AB

### Series e-90

Centrifugal Pumps  
In-Line Mounted - Close Coupled

**SPECIFICATIONS**

FLOW \_\_\_\_\_ HEAD \_\_\_\_\_

HP \_\_\_\_\_ RPM \_\_\_\_\_

VOLTS \_\_\_\_\_

CYCLE \_\_\_\_\_ PHASE \_\_\_\_\_

ENCLOSURE \_\_\_\_\_

APPROX. WEIGHT \_\_\_\_\_

SPECIALS \_\_\_\_\_

**MATERIALS OF CONSTRUCTION**  
 BRONZE FITTED     ALL BRONZE

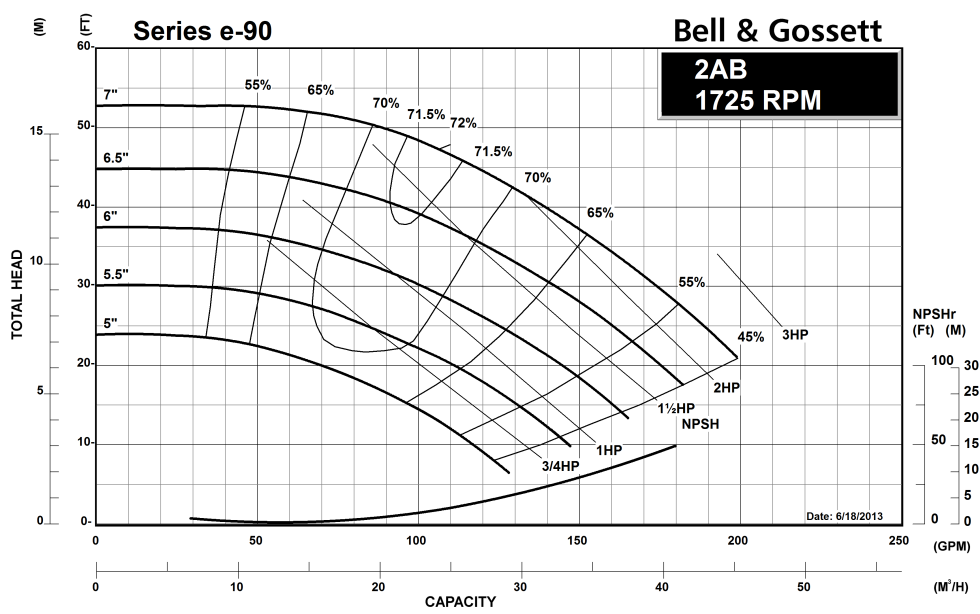
**MAXIMUM WORKING PRESSURE**  
 175 psi (12 bar) W.P.

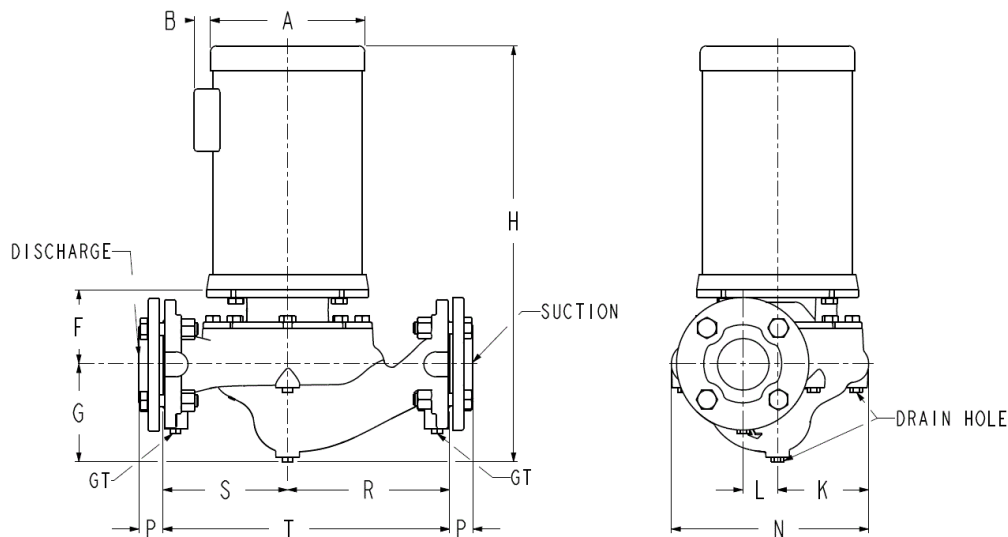
**TYPE OF SEAL**

Standard Seal  
 EPR/Carbon/Silicon Carbide  
 -10 to 250°F (-23 to 121°C)

Optional Seal  
 Viton/Carbon/Silicon Carbide  
 -10 to 225°F (-23 to 107°C)

Optional Seal  
 EPR/Graphite loaded Silicon Carbide on  
 Graphite loaded Silicon Carbide  
 -10 to 250°F (-23 to 121°C)





PUMP SIZE	SUCTION AND DISCHARGE SIZE - INCHES NPT	PUMP DIMENSIONS IN INCHES (MM)								
		F	G	K	L	N	P	R	S	T
2 AB	2	3-11/16 (94)	3-3/4 (95)	4-3/4 (121)	1 (25)	9-7/8 (251)	13/16 (21)	6-1/2 (165)	7-1/2 (190)	14 (356)

Maximum working pressure 175psi (12bar)  
GT=Gauge Tap 1/8" NPT

DIMENSIONS - Inches (mm)

MOTOR HP		PHASE	A MAX.	B	H MAX.
1725					
3/4		1	7-1/2 (190)	1-1/2 (38)	18 (475)
3/4		3	7-1/2 (190)		17-1/2 (444)
1		1	7-1/2 (190)	1-1/2 (38)	18-3/4 (478)
1		3	7-1/2 (190)		17-1/2 (444)
1-1/2		1	7-1/2 (190)	1-1/2 (38)	20 (508)
1-1/2		3	7-1/2 (190)		18 (457)
2		1	7-1/2 (190)	1-1/2 (38)	18-3/4 (476)
2		3	7-1/2 (190)		18-1/2 (470)
3		1	7-1/2 (190)	1-1/2 (38)	19-1/4 (489)
3		3	7-1/2 (190)		20-1/4 (514)

Dimensions are subject to change. Not to be used for construction purposes unless certified.  
Companion Flanges furnished for Suction and Discharge.

Xylem Inc.  
8200 N. Austin Avenue  
Morton Grove, IL 60053  
Phone: (847)966-3700  
Fax: (847)965-8379  
www.bellgossett.com



Bell & Gossett is a trademark of Xylem Inc. or one of its subsidiaries.  
© 2013 Xylem Inc.