

|              |                                  |      |  |
|--------------|----------------------------------|------|--|
| JOB          | HOFFMAN SPECIALTY REPRESENTATIVE |      |  |
| UNIT TAG NO. | ORDER NO.                        | DATE |  |
| ENGINEER     | SUBMITTED BY                     | DATE |  |
| CONTRACTOR   | APPROVED BY                      | DATE |  |

# Hoffman Specialty®

## Series 2000 Pressure and/or Temperature Steam Regulators

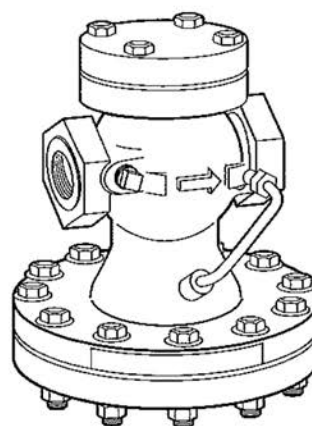
### Main Valves

### Model 2100

Screwed Ends, 250 psig (17.2 bar) Max.

### Model 2150 Main Valve

Screwed Ends, 30 psig (2.1 bar) Max.



**Maximum Temperature: 450°F (232°C)**

Initial Pressure \_\_\_\_\_ psig(bar)

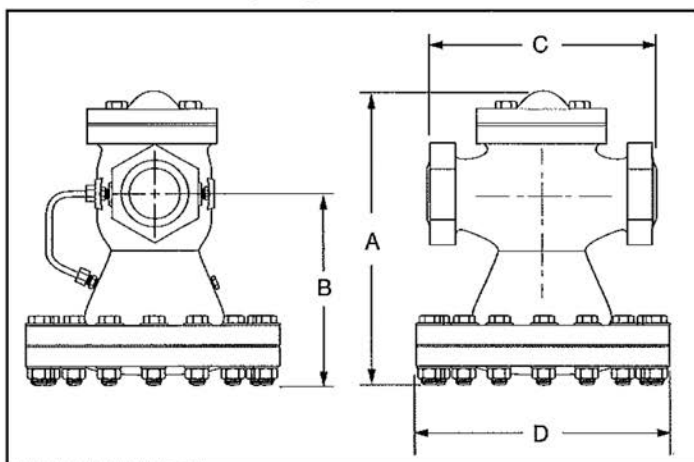
Initial Temperature \_\_\_\_\_ °F(°C) saturated

Delivery Pressure \_\_\_\_\_ psig(bar)

Required Capacity \_\_\_\_\_ lb/hr(kg/hr)

| Materials of Construction |                                 |
|---------------------------|---------------------------------|
| Part                      | Specifications                  |
| Body                      | Cast Iron ASTM A126-71          |
| Stem                      | Stainless Steel ASTM A581, A582 |
| Seat                      | Stainless Steel ASTM A582       |
| Plug                      | Stainless Steel ASTM A582       |
| Diaphragm                 | Stainless Steel ASTM A240       |
| Gaskets                   | Non-asbestos ASTM F-104         |
| Nuts/Bolts                | ASTM A325 GRADE 5               |
| Copper Tubing             | ASTM B75 ALLOY 122              |

### Dimensions in. (mm)



| NPT Valve Size in. (mm) | Dimensions in. (mm) |          |          |          |
|-------------------------|---------------------|----------|----------|----------|
|                         | A                   | B        | C        | D        |
| ½ (15)                  | 7⅞ (200)            | 4¾ (121) | 5⅞ (130) | 7 (178)  |
| ¾ (20)                  | 7⅞ (200)            | 4¾ (121) | 5⅞ (130) | 7 (178)  |
| 1 (25)                  | 7⅞ (200)            | 4¾ (121) | 5⅞ (130) | 7 (178)  |
| 1¼ (32)                 | 9½ (241)            | 5¾ (146) | 7½ (191) | 8¾ (222) |
| 1½ (40)                 | 9½ (241)            | 5¾ (146) | 7½ (191) | 8¾ (222) |
| 2 (50)                  | 11¾ (298)           | 7⅞ (194) | 9¼ (235) | 10 (254) |

# Steam Capacity Table in lbs./hr. – Model 2100

| Pressure psig |                            | Main Valve Size              |                              |                              |                              |                              |                                  |                             |                              |                              |                              |                              |                                |                          |                              |                              |                              |                              |                              |
|---------------|----------------------------|------------------------------|------------------------------|------------------------------|------------------------------|------------------------------|----------------------------------|-----------------------------|------------------------------|------------------------------|------------------------------|------------------------------|--------------------------------|--------------------------|------------------------------|------------------------------|------------------------------|------------------------------|------------------------------|
|               |                            | Full Port                    |                              |                              |                              |                              |                                  | Normal Port                 |                              |                              |                              |                              |                                | Reduced Port             |                              |                              |                              |                              |                              |
| IN            | OUT††                      | ½"                           | ¾"                           | 1"                           | 1¼"                          | 1½"                          | 2"                               | ¾"                          | ¾"                           | 1"                           | 1¼"                          | 1½"                          | 2"                             | ¾"                       | ¾"                           | 1"                           | 1¼"                          | 1½"                          | 2"                           |
| 20†           | 0-5                        | 220                          | 260                          | 360                          | 660                          | 850                          | 1200                             | 140                         | 260                          | 280                          | 620                          | 660                          | 980                            | 50                       | 220                          | 280                          | 480                          | 620                          | 860                          |
| 25            | 10<br>0-5                  | 250<br>260                   | 300<br>410                   | 410<br>470                   | 800<br>900                   | 1000<br>1100                 | 1420<br>1730                     | 160<br>165                  | 300<br>400                   | 300<br>410                   | 700<br>780                   | 800<br>900                   | 1140<br>1290                   | 57<br>58                 | 250<br>260                   | 300<br>400                   | 550<br>620                   | 700<br>780                   | 970<br>1080                  |
| 30            | 15<br>0-10                 | 290<br>300                   | 320<br>460                   | 460<br>530                   | 950<br>1100                  | 1100<br>1240                 | 1900<br>2060                     | 175<br>185                  | 320<br>460                   | 430<br>460                   | 800<br>920                   | 950<br>1100                  | 1250<br>1530                   | 62<br>65                 | 290<br>300                   | 430<br>460                   | 700<br>780                   | 800<br>920                   | 1100<br>1180                 |
| 40            | 25<br>0-20                 | 320<br>370                   | 410<br>480                   | 650<br>720                   | 1200<br>1250                 | 1150<br>1500                 | 1300<br>2120                     | 200<br>221                  | 360<br>480                   | 410<br>480                   | 950<br>1150                  | 1200<br>1250                 | 1550<br>1750                   | 72<br>78                 | 320<br>370                   | 360<br>480                   | 730<br>840                   | 950<br>1150                  | 1260<br>1380                 |
| 50            | 35<br>30<br>0-25           | 370<br>410<br>420            | 700<br>760<br>800            | 770<br>850<br>890            | 1250<br>1550<br>1650         | 1500<br>1850<br>2050         | 2500<br>2900<br>3050             | 238<br>250<br>266           | 480<br>530<br>580            | 700<br>760<br>800            | 1150<br>1400<br>1460         | 1250<br>1550<br>1650         | 1950<br>2100<br>2400           | 81<br>93<br>100          | 370<br>410<br>420            | 480<br>530<br>580            | 900<br>1050<br>1100          | 1150<br>1400<br>1460         | 1450<br>1680<br>1800         |
| 60            | 45<br>40<br>35<br>0-30     | 420<br>450<br>470<br>480     | 760<br>850<br>920<br>980     | 840<br>1000<br>1100<br>1140  | 1350<br>1650<br>1750<br>1850 | 1700<br>2000<br>2200<br>2350 | 2700<br>3050<br>3250<br>3500     | 275<br>288<br>310<br>320    | 530<br>610<br>660<br>680     | 760<br>850<br>920<br>980     | 1300<br>1600<br>1720<br>1820 | 1350<br>1650<br>1750<br>1850 | 2100<br>2300<br>2600<br>2700   | 95<br>104<br>111<br>115  | 420<br>450<br>470<br>480     | 530<br>610<br>660<br>680     | 1000<br>1100<br>1150<br>1200 | 1300<br>1500<br>1720<br>1820 | 1650<br>1850<br>1970<br>2200 |
| 75            | 55<br>50<br>45<br>0-40     | 550<br>570<br>580<br>590     | 890<br>1060<br>1120<br>1200  | 1200<br>1320<br>1380<br>1400 | 2000<br>2250<br>2400<br>2600 | 2300<br>2560<br>2800<br>3200 | 3750<br>3900<br>4300<br>4500     | 335<br>351<br>370<br>385    | 720<br>750<br>800<br>860     | 830<br>1060<br>1120<br>1300  | 1990<br>2030<br>2120<br>2200 | 2000<br>2250<br>2400<br>2600 | 2850<br>3100<br>3350<br>3550   | 118<br>127<br>134<br>138 | 550<br>570<br>580<br>590     | 720<br>750<br>800<br>860     | 1350<br>1400<br>1430<br>1450 | 1900<br>2030<br>2120<br>2200 | 2150<br>2400<br>2550<br>2650 |
| 100           | 75<br>60<br>0-50           | 600<br>670<br>690            | 1150<br>1300<br>1480         | 1480<br>1800<br>1850         | 2400<br>3000<br>3400         | 3100<br>3900<br>4400         | 4900<br>5350<br>5850             | 440<br>460<br>475           | 900<br>980<br>1000           | 1150<br>1300<br>1480         | 2450<br>2750<br>2880         | 2500<br>3000<br>3400         | 3700<br>4650<br>4700           | 151<br>174<br>177        | 800<br>670<br>690            | 900<br>990<br>1000           | 1740<br>1830<br>1870         | 2450<br>2750<br>2880         | 3100<br>3450<br>3600         |
| 125           | 100<br>75<br>0-50          | 650<br>750<br>800            | 1300<br>1700<br>1770         | 1700<br>2000<br>2100         | 3150<br>4000<br>4200         | 3550<br>4600<br>5600         | 5300<br>6750<br>7500             | 525<br>545<br>570           | 1000<br>1200<br>1230         | 1300<br>1700<br>1770         | 2700<br>3250<br>3400         | 3150<br>4000<br>4200         | 4200<br>5400<br>5850           | 175<br>213<br>215        | 650<br>750<br>800            | 1000<br>1200<br>1230         | 1900<br>2150<br>2200         | 2700<br>3250<br>3400         | 3350<br>4300<br>4400         |
| 150           | 125<br>100<br>0-75         | 810<br>930<br>950            | 1600<br>1860<br>2100         | 2050<br>2450<br>2700         | 3800<br>4500<br>4900         | 4450<br>5350<br>6150         | 6200<br>7500<br>8000             | 565<br>660<br>680           | 1200<br>1400<br>1480         | 1600<br>1860<br>2100         | 3250<br>3850<br>4000         | 3800<br>4500<br>4900         | 5150<br>6300<br>6800           | 198<br>240<br>254        | 810<br>930<br>950            | 1200<br>1400<br>1480         | 2300<br>2750<br>2760         | 3250<br>3850<br>4000         | 4100<br>4800<br>5200         |
| 175           | 150<br>125<br>100<br>0-75  | 920<br>1050<br>1100<br>1150  | 1850<br>2150<br>2280<br>2400 | 2250<br>2700<br>3000<br>3100 | 4100<br>5000<br>5500<br>5800 | 5000<br>6200<br>6900<br>7400 | 6900<br>8600<br>9500<br>9750     | 636<br>755<br>800<br>810    | 1400<br>1570<br>1640<br>1680 | 1850<br>2150<br>2280<br>2400 | 3600<br>4380<br>4600<br>4650 | 4100<br>5000<br>5500<br>5800 | 5900<br>7000<br>7600<br>7800   | 220<br>226<br>290<br>295 | 920<br>1050<br>1100<br>1150  | 1400<br>1570<br>1640<br>1680 | 2600<br>3000<br>3100<br>3200 | 3600<br>4360<br>4600<br>4650 | 4500<br>5320<br>5800<br>5800 |
| 200           | 150<br>125<br>0-100        | 1130<br>1200<br>1250         | 2400<br>2600<br>2680         | 2850<br>3200<br>3400         | 5500<br>6000<br>6500         | 6700<br>7600<br>7800         | 9200<br>10450<br>11000           | 815<br>885<br>880           | 1650<br>1850<br>1900         | 2400<br>2600<br>2680         | 4600<br>5000<br>5200         | 5500<br>6000<br>6500         | 7700<br>8400<br>8600           | 291<br>327<br>330        | 1130<br>1200<br>1250         | 1650<br>1850<br>1900         | 3100<br>3250<br>3300         | 4600<br>5000<br>5200         | 5800<br>6500<br>6900         |
| 225           | 175<br>150<br>0-125        | 1260<br>1370<br>1430         | 2480<br>2790<br>3000         | 3080<br>3540<br>3770         | 5980<br>6840<br>7200         | 7180<br>8370<br>9120         | 10150<br>11600<br>12200          | 910<br>983<br>1020          | 1750<br>2000<br>2050         | 2480<br>2790<br>3000         | 5150<br>5730<br>5950         | 5980<br>6840<br>7200         | 8260<br>9250<br>9640           | 315<br>355<br>370        | 1260<br>1370<br>1430         | 1750<br>2000<br>2050         | 3150<br>3650<br>4020         | 5150<br>5730<br>5950         | 6400<br>7150<br>7500         |
| 250           | 200<br>175<br>150<br>0-125 | 1350<br>1480<br>1550<br>1550 | 2670<br>3000<br>3250<br>3280 | 3250<br>3700<br>4150<br>4300 | 6480<br>7350<br>7970<br>8050 | 7340<br>8650<br>9650<br>9980 | 10920<br>12370<br>13360<br>13720 | 960<br>1080<br>1150<br>1140 | 1620<br>1880<br>2150<br>2250 | 2670<br>3000<br>3250<br>3280 | 5500<br>6150<br>6600<br>6650 | 6480<br>7350<br>7970<br>8050 | 8850<br>9900<br>10840<br>10680 | 339<br>380<br>405<br>410 | 1350<br>1480<br>1550<br>1550 | 1880<br>2150<br>2250<br>2250 | 3400<br>3970<br>4440<br>4500 | 5500<br>6150<br>6800<br>6650 | 6850<br>7680<br>8300<br>8330 |

Note: Capacity based on saturated steam at valve inlet

†For inlet pressures below 20 psig, see chart below.

††When the outlet steam pressure is 50% or less of the inlet pressure, always use the lowest outlet pressure shown in the capacity table.

## Model 2150

| Pressure psig |       | Main Valve Size |     |      |      |      |  |
|---------------|-------|-----------------|-----|------|------|------|--|
|               |       | Full Port       |     |      |      |      |  |
| IN            | OUT   | ¾"              | 1"  | 1¼"  | 1½"  | 2"   |  |
| 30            | 27    | 180             | 330 | 690  | 935  | 1500 |  |
|               | 25    | 240             | 430 | 885  | 1225 | 1900 |  |
|               | 20    | 490             | 670 | 1250 | 1550 | 2500 |  |
|               | 15    | 450             | 760 | 1375 | 1770 | 2950 |  |
|               | 0-10  | 520             | 870 | 1575 | 2100 | 3400 |  |
| 25            | 22    | 170             | 320 | 670  | 870  | 1400 |  |
|               | 20    | 230             | 420 | 865  | 1100 | 1800 |  |
|               | 15    | 485             | 650 | 1215 | 1480 | 2400 |  |
|               | 10    | 430             | 720 | 1325 | 1700 | 2800 |  |
|               | 0-5   | 460             | 770 | 1380 | 1900 | 3100 |  |
| 20            | 17    | 160             | 290 | 640  | 800  | 1300 |  |
|               | 15    | 220             | 400 | 835  | 1140 | 1850 |  |
|               | 10    | 360             | 600 | 1150 | 1420 | 2300 |  |
|               | 0-5   | 400             | 670 | 1250 | 1630 | 2650 |  |
| 15            | 12    | 150             | 270 | 600  | 740  | 1170 |  |
|               | 10    | 215             | 385 | 800  | 920  | 1500 |  |
|               | 8     | 260             | 450 | 940  | 1100 | 1750 |  |
|               | 5     | 315             | 510 | 1000 | 1250 | 2020 |  |
|               | 0-2.5 | 345             | 540 | 1040 | 1360 | 2200 |  |
| 12            | 9     | 140             | 250 | 570  | 700  | 1100 |  |
|               | 7     | 210             | 360 | 750  | 800  | 1460 |  |
|               | 5     | 250             | 410 | 900  | 1050 | 1700 |  |
|               | 0-2   | 300             | 480 | 940  | 1200 | 1850 |  |
| 10            | 7     | 130             | 240 | 540  | 670  | 1050 |  |
|               | 5     | 200             | 350 | 730  | 860  | 1400 |  |
|               | 0-2   | 250             | 420 | 820  | 1040 | 1600 |  |
| 9             | 6     | 125             | 230 | 520  | 630  | 1000 |  |
|               | 4     | 190             | 350 | 650  | 815  | 1320 |  |
|               | 0-2   | 230             | 405 | 720  | 940  | 1500 |  |
| 8             | 5     | 120             | 220 | 500  | 600  | 940  |  |
|               | 0-3   | 180             | 340 | 630  | 800  | 1250 |  |
| 7             | 4     | 115             | 215 | 485  | 570  | 870  |  |
|               | 0-2   | 175             | 325 | 560  | 760  | 1200 |  |
| 6             | 3     | 105             | 210 | 470  | 540  | 800  |  |
|               | 0-1   | 160             | 295 | 540  | 660  | 1050 |  |
| 5             | 2     | 100             | 200 | 450  | 500  | 760  |  |
|               | 0-1   | 140             | 240 | 490  | 550  | 850  |  |

Capacity based on saturated steam at valve inlet.

Based on 1 psi accuracy of control.

Pressure differential must be at least 3 psi in order for valve to operate.

**xylem**  
Let's Solve Water

Xylem Inc.  
8200 N. Austin Avenue  
Morton Grove, Illinois 60053  
Phone: (847) 966-3700  
Fax: (847) 965-8379  
www.bellgossett.com