



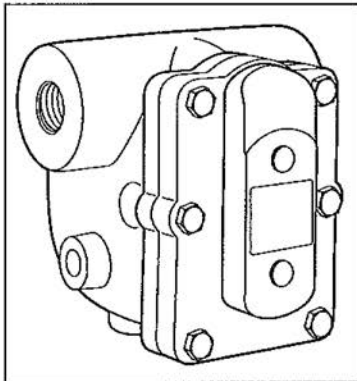
Bell & Gossett

a xylem brand

SUBMITTAL

HS-231C

JOB:	REPRESENTATIVE:	
UNIT TAG:	ORDER NO.:	DATE:
ENGINEER:	SUBMITTED BY:	DATE:
CONTRACTOR:	APPROVED BY:	DATE:



Hoffman Specialty®



Series I In-line Float and Thermostatic Steam Traps

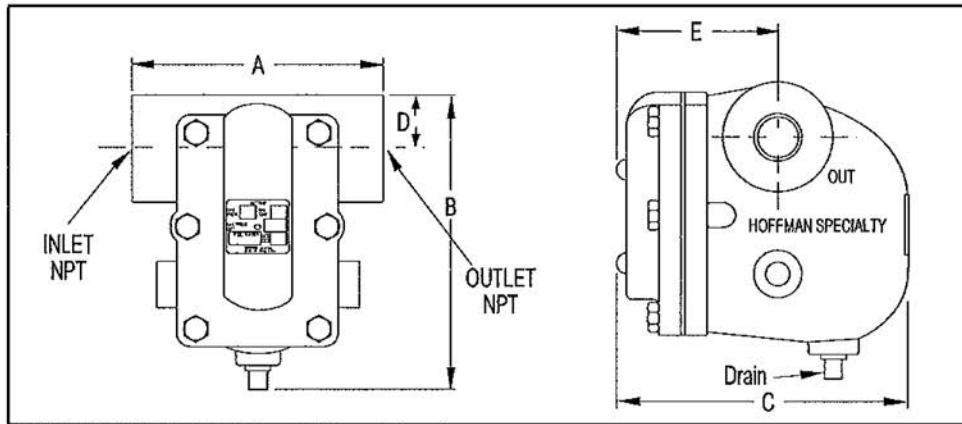
Materials of Construction	
Part	Specifications
Body and Cover	Cast Iron 30,000 psi tensile
Valve Pin and Seat	Stainless Steel (Hardened)
Float	Stainless Steel
Lever Assembly	Stainless Steel
Thermostatic Air Vent	Stainless Steel Cage and Thermal Element
Cover Bolts	Grade 5 Steel

Ratings			
NPT Size Inches	Maximum Allowable Pressure psi (bar)	Maximum Operating Pressure psi (bar)	Maximum Temperature °F (°C)
3/4, 1 & 1-1/4	250 (17.3)	175 (12.1)	406 (208)

Meets Mil Specification A-A-60001 Type VI, Class 1 - 5.

SCHEDULE

PART NUMBER	MODEL NUMBER	SIZE NPT INCHES	INLET PRESS. psi (bar)	DIFF. PRESS. psi (bar)	FLOW RATE lb/hr (kg/hr)	TAGGING INFORMATION	QUANTITY
404270	FT015I-3	3/4					
404271	FT015I-4	1					
404272	FT015I-5	1-1/4					
404273	FT030I-3	3/4					
404274	FT030I-4	1					
404275	FT030I-5	1-1/4					
404276	FT075I-3	3/4					
404277	FT075I-4	1					
404278	FT075I-5	1-1/4					
404279	FT125I-3	3/4					
404280	FT125I-4	1					
404281	FT125I-5	1-1/4					
404282	FT175I-3	3/4					
404283	FT175I-4	1					
404284	FT175I-5	1-1/4					



Dimensions, in.

NPT Size Inches	A	B	C	D	E	Weight lbs. (kg)
3/4	5-1/2 (140)	6-9/16 (167)	6-3/8 (162)	1-3/16 (30)	3-1/2 (89)	11.7 (5.3)
1						
1-3/4						

Capacities (Gross Ratings).

Model	NPT Size In.	Orifice Size in. (mm)	Pressure Differential in Pounds Per Square Inch (bar)																	
			1/4 (0.017)	1/2 (0.035)	1 (0.07)	2 (0.14)	5 (0.35)	10 (0.69)	15 (1.0)	20 (1.4)	25 (1.69)	30 (2.1)	40 (2.8)	50 (3.5)	60 (4.2)	75 (5.2)	100 (6.9)	125 (8.6)	150 (10.4)	175 (12.1)
			Capacity in Pounds of Condensate Per Hour (kg/hr)																	
FT015I	3/4,1	.253 (6.4)	390 (177)	500 (227)	680 (308)	910 (413)	1100 (500)	1450 (658)	1600 (725)	-	-	-	-	-	-	-	-	-	-	-
FT030I	3/4,1	.235 (6)	380 (172)	470 (214)	630 (285)	870 (395)	1050 (475)	1380 (625)	1530 (695)	1700 (770)	1820 (825)	1900 (860)	-	-	-	-	-	-	-	-
FT075I	3/4,1	.166 (4.2)	160 (72)	210 (95)	280 (125)	360 (165)	520 (235)	700 (320)	800 (360)	870 (395)	930 (420)	970 (440)	1120 (510)	1230 (560)	1300 (590)	1450 (658)	-	-	-	-
FT125I	3/4,1	.125 (3.2)	100 (45)	130 (60)	170 (77)	230 (104)	330 (150)	410 (186)	500 (225)	560 (255)	620 (280)	660 (300)	750 (340)	830 (375)	890 (400)	970 (440)	1100 (500)	1190 (540)	-	-
FT175I	3/4,1	.106 (2.7)	70 (32)	80 (36)	110 (50)	140 (630)	220 (100)	280 (1270)	340 (155)	380 (172)	400 (180)	420 (190)	460 (210)	480 (220)	520 (235)	580 (263)	690 (3150)	850 (385)	960 (435)	1000 (454)
FT015I	1-1/4	.312 (8)	600 (272)	770 (350)	980 (444)	1240 (562)	1640 (744)	2000 (907)	2340 (1062)	-	-	-	-	-	-	-	-	-	-	-
FT030I	1-1/4	.253 (6.4)	420 (190)	550 (250)	740 (335)	1000 (450)	1200 (545)	1550 (700)	1760 (800)	1850 (840)	2000 (907)	2200 (1000)	-	-	-	-	-	-	-	-
FT075I	1-1/4	.166 (4.2)	160 (72)	210 (95)	280 (125)	360 (165)	520 (235)	700 (320)	800 (360)	870 (395)	930 (420)	970 (440)	1120 (510)	1230 (560)	1300 (590)	1450 (658)	-	-	-	-
FT125I	1-1/4	.125 (3.2)	100 (45)	130 (60)	170 (77)	230 (104)	330 (150)	410 (186)	500 (225)	560 (225)	620 (280)	660 (300)	750 (340)	830 (375)	890 (400)	970 (440)	1100 (500)	1190 (540)	-	-
FT175I	1-1/4	.106 (2.7)	70 (32)	80 (36)	110 (50)	140 (630)	220 (100)	280 (1270)	340 (155)	380 (172)	400 (180)	420 (190)	460 (210)	480 (220)	520 (235)	580 (263)	690 (3150)	850 (385)	960 (435)	1000 (454)



Xylem Inc.
 8200 N. Austin Avenue
 Morton Grove, Illinois 60053
 Phone: (847) 966-3700
 Fax: (847) 965-8379
 www.bellgossett.com