



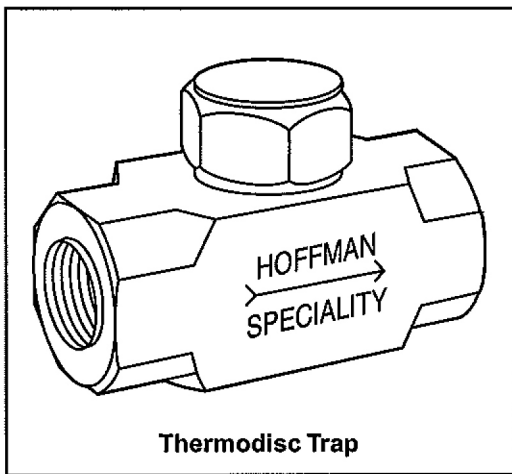
Bell & Gossett

a xylem brand

SUBMITTAL

HS-211D

JOB	HOFFMAN SPECIALTY REPRESENTATIVE	
UNIT TAG NO.	ORDER NO.	DATE
ENGINEER	SUBMITTED BY	DATE
CONTRACTOR	APPROVED BY	DATE



Hoffman Specialty® Series 655 - 658 656A 656T - 658T Thermodisc Steam Traps

Inlet Pressure _____ psig(bar)

Flow Rate _____ lb/hr(kg/hr)

Differential Pressure _____ psig(bar)

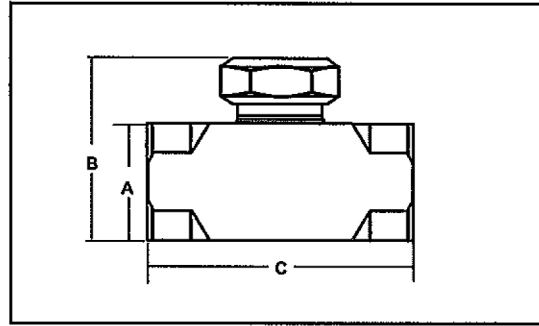
Seat Rating _____ psi(bar)

Ratings		
Model Number	Max. Operating Pressure psig(bar)	Maximum Temperature °F (°C)
655/658	600 (41.4)	750 (399)
655T/658T	250 (17.3)	425 (218)
656A	600 (41.4)	750 (399)

Materials of Construction	
Part	Specifications
Cap and Body	Type 303 Stainless Steel
Disc	Hardened Stainless Steel
Seat	Hardened Stainless Steel
Gasket/Seal, Series 655/658 & 656A	Graphite
Gasket/Seal, Series 655T/658T	Teflon®

Dimensions in. (mm)

Model	NPT Size in.	A	B	C	Weight (Approx.) lbs. (kg)
655/655T	¾	1 (25)	1⅞ (40)	2⅝ (59)	1 (0.5)
656/656A/ 656T	½	1¼ (32)	1⅞ (48)	2⅝ (75)	1 (0.5)
657/657T	¾	1½ (38)	2⅞ (56)	3⅜ (82)	2 (0.9)
658/658T	1	1¾ (45)	2⅞ (65)	3⅜ (97)	3 (1.4)



Capacities lbs./hr. (kg/hr.)

For Steam Service

Pressure psig (bar)	¾" NPT 655/655T	½" NPT 656/656T	¾" NPT 657/657T	1" NPT 658/658T
600 (41.4)	330 (149)	760 (344)	1300 (389)	1500 (680)
500 (34.5)	320 (145)	730 (331)	1240 (562)	1450 (637)
400 (27.6)	305 (138)	690 (312)	1140 (517)	1400 (635)
300 (20.7)	285 (129)	650 (294)	1010 (438)	1320 (398)
250 (17.2)	275 (124)	610 (276)	930 (421)	1260 (571)
200 (13.8)	260 (117)	580 (263)	860 (390)	1200 (544)
150 (10.3)	240 (108)	530 (240)	770 (349)	1120 (508)
100 (6.9)	210 (95)	460 (208)	680 (308)	980 (444)
75 (5.2)	190 (86)	410 (105)	600 (272)	900 (408)
50 (3.5)	150 (68)	350 (158)	520 (235)	780 (353)
25 (1.7)	120 (54)	260 (117)	400 (181)	600 (272)
10 (0.7)	90 (40)	180 (81)	260 (117)	400 (181)

For Compressed Air Service

Pressure psig (bar)	½" NPT 656A lbs./hr. (kg/hr.)
250 (17.3)	1400 (635)
200 (13.8)	1280 (580)
150 (10.4)	1160 (525)
125 (8.6)	1085 (490)
100 (6.9)	975 (440)
75 (5.2)	880 (400)
50 (3.4)	720 (325)
15 (1.0)	380 (170)



Xylem Inc.
 8200 N. Austin Avenue
 Morton Grove, Illinois 60053
 Phone: (847) 966-3700
 Fax: (847) 965-8379
www.bellgossett.com