

JOB:	REPRESENTATIVE:
UNIT TAG:	ORDER NO.
ENGINEER:	SUBMITTED BY:
CONTRACTOR:	APPROVED BY:
	DATE:
	DATE:
	DATE:



1AAB

Series e-90

Centrifugal Pumps
In-Line Mounted - Close Coupled

SPECIFICATIONS

FLOW _____ HEAD _____

HP _____ RPM _____

VOLTS _____

CYCLE _____ PHASE _____

ENCLOSURE _____

APPROX. WEIGHT _____

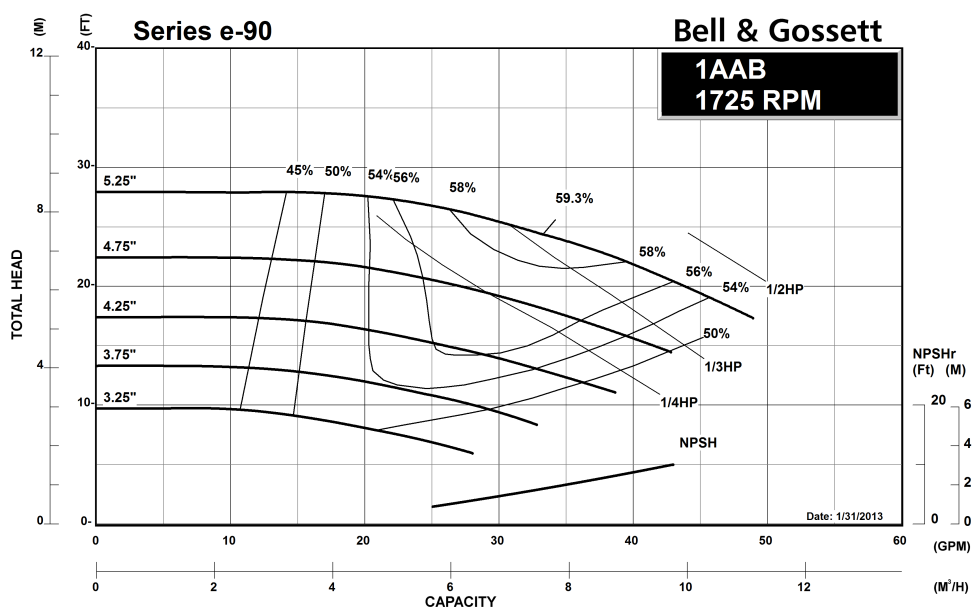
SPECIALS _____

MATERIALS OF CONSTRUCTION
 BRONZE FITTED ALL BRONZE

MAXIMUM WORKING PRESSURE
 175 psi (12 bar) W.P.

TYPE OF SEAL

- Standard Seal
EPR/Carbon/Silicon Carbide
-10 to 250°F (-23 to 121°C)
- Optional Seal
Viton/Carbon/Silicon Carbide
-10 to 225°F (-23 to 107°C)
- Optional Seal
EPR/Graphite loaded Silicon Carbide on
Graphite loaded Silicon Carbide
-10 to 250°F (-23 to 121°C)



JOB:	REPRESENTATIVE:	
UNIT TAG:	ORDER NO.:	DATE:
ENGINEER:	SUBMITTED BY:	DATE:
CONTRACTOR:	APPROVED BY:	DATE:



1AAB

Series e-90

Centrifugal Pumps
In-Line Mounted - Close Coupled

SPECIFICATIONS

FLOW _____ HEAD _____

HP _____ RPM _____

VOLTS _____

CYCLE _____ PHASE _____

ENCLOSURE _____

APPROX. WEIGHT _____

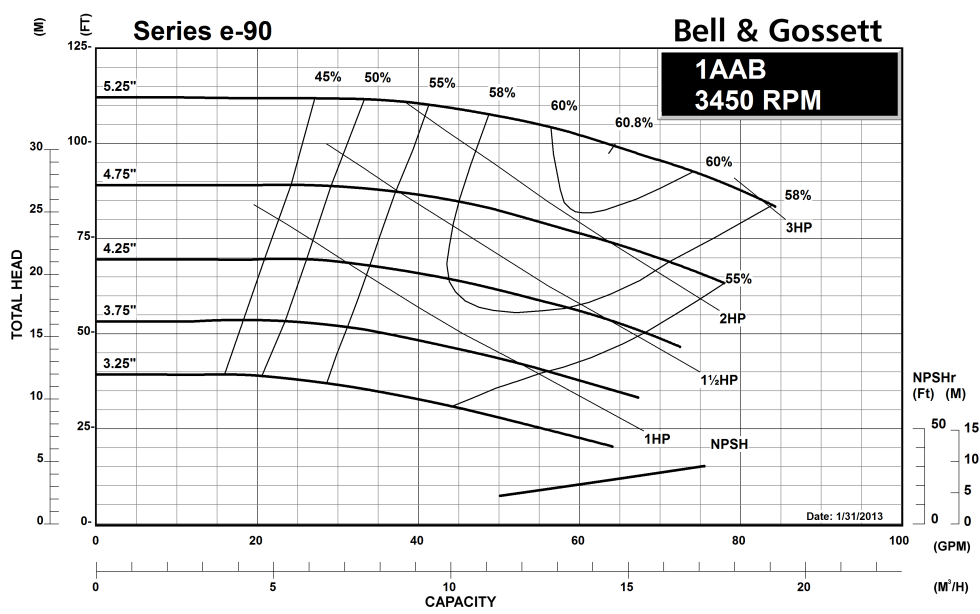
SPECIALS _____

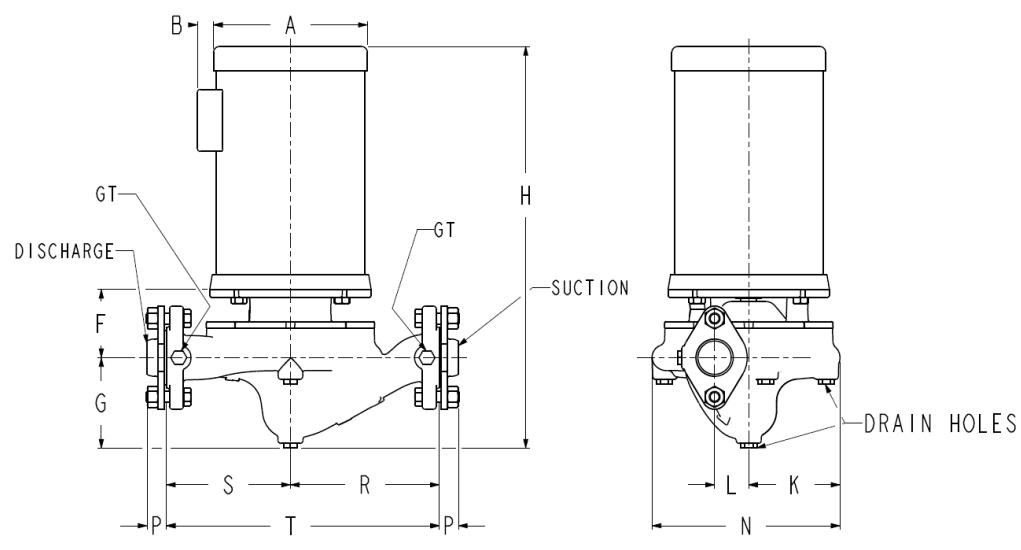
MATERIALS OF CONSTRUCTION
 BRONZE FITTED ALL BRONZE

MAXIMUM WORKING PRESSURE
 175 psi (12 bar) W.P.

TYPE OF SEAL

- Standard Seal
EPR/Carbon/Silicon Carbide
-10 to 250°F (-23 to 121°C)
- Optional Seal
Viton/Carbon/Silicon Carbide
-10 to 225°F (-23 to 107°C)
- Optional Seal
EPR/Graphite loaded Silicon Carbide on
Graphite loaded Silicon Carbide
-10 to 250°F (-23 to 121°C)





PUMP SIZE	SUCTION AND DISCHARGE SIZE - INCHES NPT	PUMP DIMENSIONS IN INCHES (MM)								
		F	G	K	L	N	P	R	S	T
1AAB	1	2-3/4 (70)	4 (102)	3-5/8 (92)	1-3/8 (35)	7-1/2 (190)	3/4 (19)	5 (127)	6 (152)	11 (279)

Maximum working pressure 175psi (12bar)
GT=Gauge Tap 1/8" NPT

DIMENSIONS - Inches (mm)

MOTOR HP		PHASE	A MAX.	B	H MAX.
1725 RPM	3450 RPM				
1/4		1	7-1/2 (191)	1-1/2 (38)	15-1/2 (394)
1/3		1	7-1/2 (191)	1-1/2 (38)	16 (406)
1/2		1	7-1/2 (191)	1-1/2 (38)	16 (406)
1/2		3	7-1/2 (191)		15-5/8 (397)
	1	1	7-1/2 (191)	1-1/2 (38)	16-1/2 (419)
	1	3	7-1/2 (191)		17-3/4 (451)
	1-1/2	1	7-1/2 (191)	1-1/2 (38)	17-1/4 (438)
	1-1/2	3	7-1/2 (191)		17-1/4 (438)
	2	1	7-1/2 (191)	1-1/2 (38)	18 (457)
	2	3	7-1/2 (191)		17-1/4 (438)
	3	1	7-1/2 (191)	1-1/2 (38)	18-1/2 (470)
	3	3	7-1/2 (191)		18 (457)
	5	3	7-1/2 (191)		21 (533)

Dimensions are subject to change. Not to be used for construction purposes unless certified.
Companion Flanges furnished for Suction and Discharge.

Xylem Inc.
8200 N. Austin Avenue
Morton Grove, IL 60053
Phone: (847)966-3700
Fax: (847)965-8379
www.bellgossett.com

