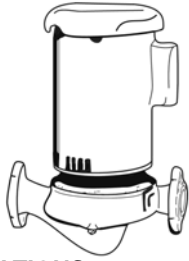


<b>JOB:</b>	<b>REPRESENTATIVE:</b>	
<b>UNIT TAG:</b>	<b>ORDER NO.:</b>	<b>DATE:</b>
<b>ENGINEER:</b>	<b>SUBMITTED BY:</b>	<b>DATE:</b>
<b>CONTRACTOR:</b>	<b>APPROVED BY:</b>	<b>DATE:</b>



# 2AAB

## Series e-90

Centrifugal Pumps  
In-Line Mounted - Close Coupled

**SPECIFICATIONS**

FLOW \_\_\_\_\_ HEAD \_\_\_\_\_  
 HP \_\_\_\_\_ RPM \_\_\_\_\_  
 VOLTS \_\_\_\_\_  
 CYCLE \_\_\_\_\_ PHASE \_\_\_\_\_  
 ENCLOSURE \_\_\_\_\_  
 APPROX. WEIGHT \_\_\_\_\_  
 SPECIALS \_\_\_\_\_

**MATERIALS OF CONSTRUCTION**

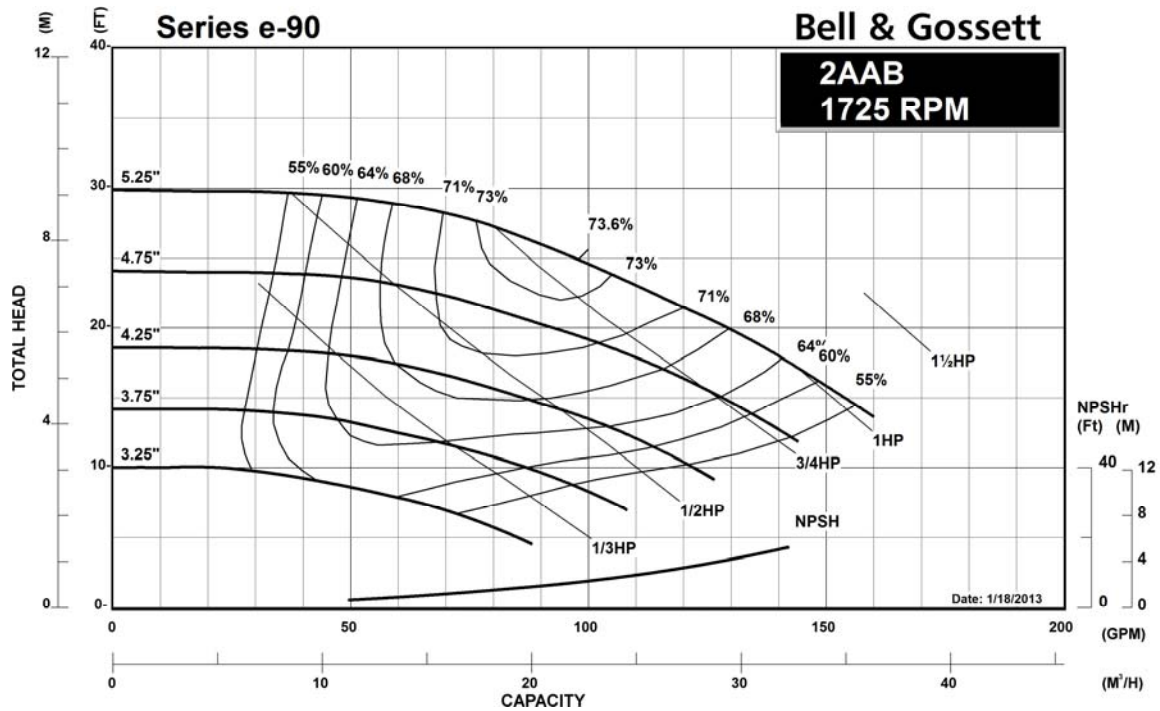
BRONZE FITTED     ALL BRONZE

**MAXIMUM WORKING PRESSURE**

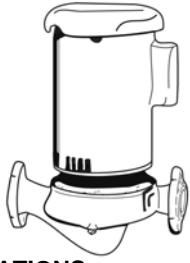
175 psi (12 bar) W.P.

**TYPE OF SEAL**

- Standard Seal  
EPR/Carbon/Silicon Carbide  
-10 to 250°F (-23 to 121°C)
- Optional Seal  
Viton/Carbon/Silicon Carbide  
-10 to 225°F (-23 to 107°C)
- Optional Seal  
EPR/Graphite loaded Silicon Carbide on  
Graphite loaded Silicon Carbide  
-10 to 250°F (-23 to 121°C)



<b>JOB:</b>   <b>UNIT TAG:</b> <b>ENGINEER:</b> <b>CONTRACTOR:</b>	<b>REPRESENTATIVE:</b>   <b>ORDER NO.</b> <b>SUBMITTED BY:</b> <b>APPROVED BY:</b>	<b>DATE:</b> <b>DATE:</b> <b>DATE:</b>
---	---	--



## 2AAB

### Series e-90

Centrifugal Pumps  
In-Line Mounted - Close Coupled

**SPECIFICATIONS**

FLOW \_\_\_\_\_ HEAD \_\_\_\_\_  
 HP \_\_\_\_\_ RPM \_\_\_\_\_  
 VOLTS \_\_\_\_\_  
 CYCLE \_\_\_\_\_ PHASE \_\_\_\_\_  
 ENCLOSURE \_\_\_\_\_  
 APPROX. WEIGHT \_\_\_\_\_  
 SPECIALS \_\_\_\_\_

**MATERIALS OF CONSTRUCTION**

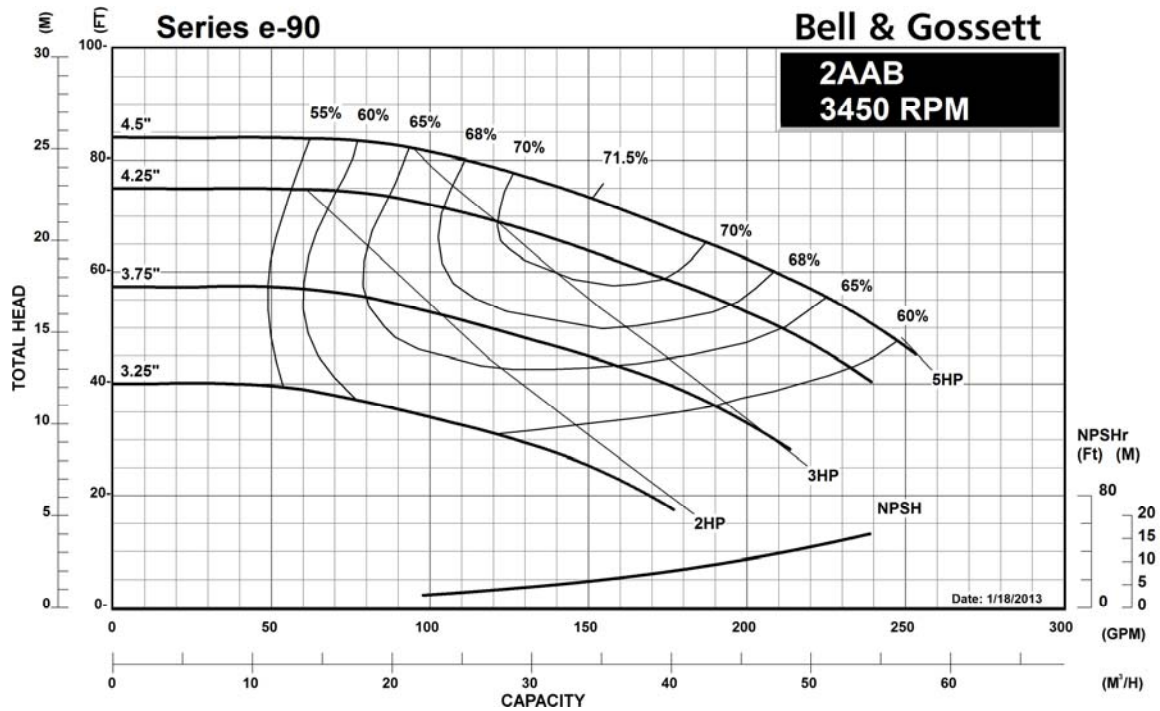
BRONZE FITTED     ALL BRONZE

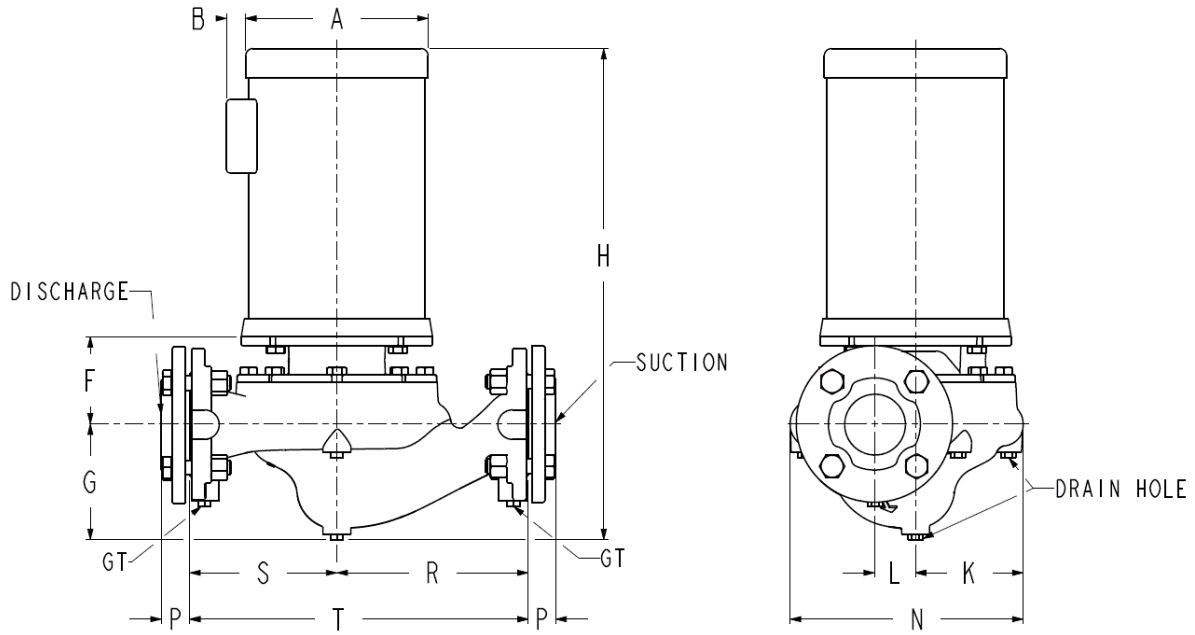
**MAXIMUM WORKING PRESSURE**

175 psi (12 bar) W.P.

**TYPE OF SEAL**

- Standard Seal  
EPR/Carbon/Silicon Carbide  
-10 to 250°F (-23 to 121°C)
- Optional Seal  
Viton/Carbon/Silicon Carbide  
-10 to 225°F (-23 to 107°C)
- Optional Seal  
EPR/Graphite loaded Silicon Carbide on  
Graphite loaded Silicon Carbide  
-10 to 250°F (-23 to 121°C)





PUMP SIZE	SUCTION AND DISCHARGE SIZE - INCHES NPT	PUMP DIMENSIONS IN INCHES (MM)								
		F	G	K	L	N	P	R	S	T
2 AAB	2	3 (76)	4-7/16 (111)	3-3/4 (95)	1-3/8 (35)	8 (203)	13/16 (21)	5 (127)	6-1/2 (165)	11-1/2 (292)

Maximum working pressure 175psi (12bar)  
GT=Gauge Tap 1/8" NPT

DIMENSIONS – Inches (mm)

MOTOR HP			A MAX.	B	H MAX.
1725	3450	PHASE			
1/3		1	7-1/2 (190)	1-1/2 (38)	16-1/2 (419)
1/3		3	7-1/2 (190)		16 (406)
1/2		1	7-1/2 (190)	1-1/2 (38)	16-1/2 (419)
1/2		3	7-1/2 (190)		16 (406)
3/4		1	7-1/2 (190)	1-1/2 (38)	17-1/2 (444)
3/4		3	7-1/2 (190)		17 (432)
1		1	7-1/2 (190)	1-1/2 (38)	18-1/4 (464)
1		3	7-1/2 (190)		17 (432)
1-1/2			7-1/2 (190)	1-1/2 (38)	18-1/4 (464)
1-1/2			7-1/2 (190)		17-3/4 (451)
	3	3	7-1/2 (190)		18-3/4 (476)
	5	3	7-1/2 (190)		21-13/16 (551)

Dimensions are subject to change. Not to be used for construction purposes unless certified.  
Companion Flanges furnished for Suction and Discharge.  
Motor may be supplied with feet.

Xylem Inc.  
8200 N. Austin Avenue  
Morton Grove, IL 60053  
Phone: (847)966-3700  
Fax: (847)965-8379  
www.bellgossett.com

