

Laing Thermotech Series E5 Plastic AC Electronically Commutated Spherical Motor Centrifugal Pumps



Applications

Specifically designed for the following uses:

- Electronics Cooling
- Water Circulation
- Chiller Systems
- Liquid Transfer
- Ozone Treatment
- General Purpose Pumping

Specifications

Pump:

- Max Capacities: 10 GPM
- Max Head: 11'
- Pipe Connections:
 - 1/2" x 1/2" and 3/4" x 3/4" Barb Connection
 - 1/2" MPT
 - 1/2" Barb x 1/2" MPT
- Maximum Working Pressure: 50 PSI
- Maximum Temperature: 140° F
- Rotation: counter clockwise when viewed from the motor end

Motor:

- Canned Spherical Motor Type
- Voltage 115 or 230 Volt 50/60 Hz Cycle
- 45 Watts Max
- Automatic Overload Protection
- Low In-Rush Current
- Dry Run Protection

Features

Compact Design:

Close coupled, space saving design provides easy installation.

Mounting:

Pump can be mounted horizontally or vertically with motor end down.

Motor Bracket:

Powder coated steel bracket or integrated thermoplastic bracket on 3/4" x 3/4" barb only.

Construction:

316SS, thermoplastic, carbon and ceramic for corrosion resistance.

Ceramic Bearing Ball and Carbon Bearing Cap:

High density ceramic bearing ball and graphite impeller bearing cap designed for high efficiency and long life.

Impeller:

Highly efficient, open or enclosed, and dynamically balanced impeller with carbon bearing for smooth ultra quiet operation.

Casing:

Casing is thermoplastic construction.

Mechanical Seal:

Unique patented design has no mechanical seal which is a potential leak path.

Motor:

Highly efficient and ultra quiet spherical motor design. Pump is designed for continuous operation. All ratings are within working limits of the motor.

Electronics:

Embedded microprocessor control is self-regulating and available with variable speed dial control (potentiometer) on the pump or as an optional PWM input for OEM.

Noise level:

Whisper quiet, less than 40 db.

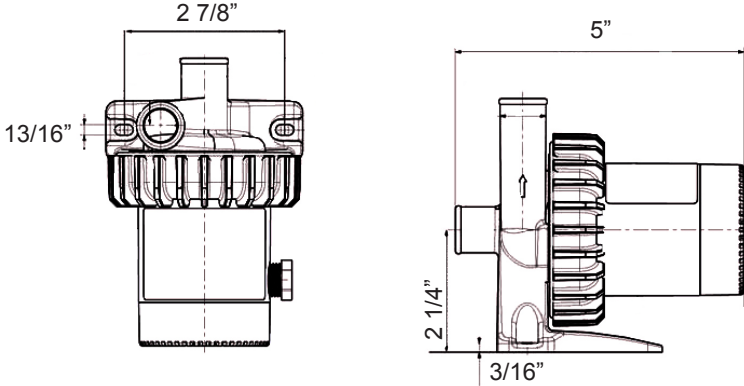
Weight:

Lightweight construction weighs less than 2lbs.

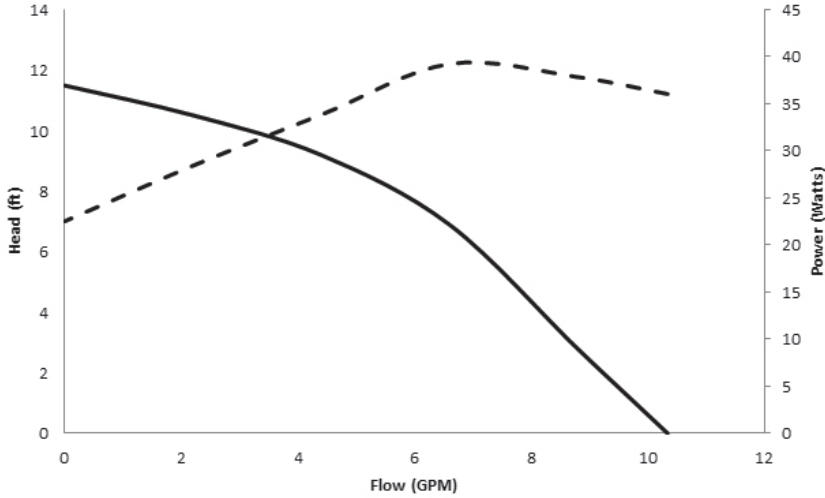
Laing Thermotech Series E5 Plastic Specifications

Materials of Construction (Wetted Parts)

Part	Materials
Pump Housing	Thermoplastic
"O" Ring	EPDM or Viton
Impeller	Polyphenylene Oxide (PPO)
Bearing	Carbon/Aluminum Ceramic
All Other Wetted Parts	316 Stainless Steel



E5 Plastic 3/4" Hosebarb



Xylem Inc.
 3878 S. Willow, Suite 104
 Fresno, CA 93725
 Tel: (559) 265-4730 (800) 554-6853
 Fax: (559) 265-4740 (800) 453-7523
www.Laing-thermotech.com

Goulds is a registered trademark of Goulds Pumps, Inc. and is used under license.
 © 2016 Xylem Inc. SS-05R2 June 2016