



# AC Variable Frequency Drives (VFD) Variable Speed Pumping Systems

## ABB ACS550 SERIES PULSE WIDTH MODULATION (PWM) INVERTER

2-75 HP 208-230V/3Ø/60 Hz      1.5-55 KW 380V/3Ø/50 or 60 Hz  
2-75 HP 460V/3Ø/60 Hz      2-75 HP 575V/3Ø/60 Hz

The PWM VFD is capable of converting three phase AC line power into variable frequency variable-voltage power for operating three phase AC motors.

### STANDARD FEATURES

- NEMA 1
- Output Speed Display in RPM or Frequency
- Output Voltage Display
- Motor Amps Display
- UL, CUL Listed
- Elapsed Time Meter
- kWh Meter
- Electronic Motor Overload Protection
- Start into Rotating Load
- Critical Frequency Avoidance
- Disconnect Switch
- Ground Fault Protection
- Input Fuses
- DC Link Choke (Equivalent to 5% Line Reactor)



### AFD SPECIFICATIONS

**Input Voltage:** 208V/230V/380V/460V/575V, 3Ø, 48 to 60 Hz

**Voltage Tolerance:** ±10%, -15%

**Ambient Temperature:** -15°C to 40°C (14°F to 104°F)

**Humidity:** To 95% non-condensing without derate

**Altitude:** 3,300 feet above sea level

**Power Factor:** .98

**Adjustments:** Minimum/maximum frequency limits range  
Acceleration/Deceleration, 1 to 1800 seconds  
Current Limit, 0 to 110% every 10 minutes  
Three critical bypass frequencies  
Programmable analog and digital outputs

**Drive Protection:** Ground fault  
VFD over temperature alarm  
Flying start  
Overload current vs. time function

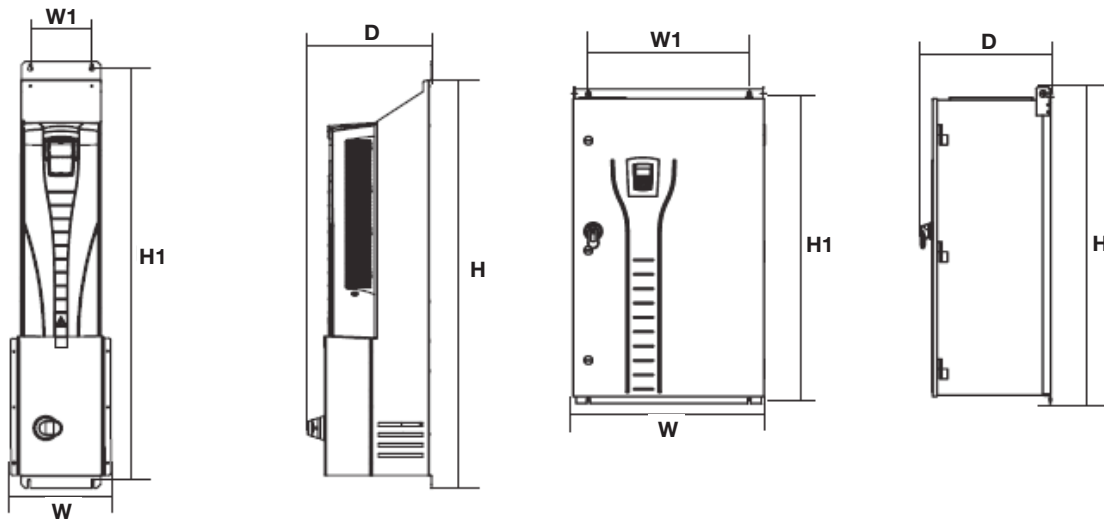
<b>Display:</b> Over voltage	Over temperature	Inverter Fault
Under voltage	Output Speed	kWh
Overcurrent	Motor Amps	Elapsed Time
Overload	Output Motor Volts	

**Agency Approval:** UL and CUL listed

**Warranty:** 18 months parts and labor from date of shipment

HP/KW	Normal Duty Output (Amps)		
	208/230V	380/460V	575V
2/1.5	7.5	4.1	2.7
3/2.2	11.8	6.9	3.9
5/4.0	16.7	8.8	6.1
7.5/5.5	24.2	11.9	9
10/7.5	30.8	15.4	11
15/11	46.2	23	17
20/15	59.4	31	22
25/18.5	74.8	38	27
30/22	88	44	32
40/30	114	59	41
50/37	143	72	52
60/45	178	77	62
75/55	331	96	77

**DIMENSIONAL DRAWINGS**  
**STANDARD DRIVE**



**Wall Mount (PX1-1 – PX1-4)**

**Wall Mount (PX1-5 – PX1-6)**

Dim. Ref.	NEMA 1 Mounting		NEMA 1			
	H1	W1	(H)	(W)	(D)	Wt.
PX1-1	28.0	3.9	28.7	7.8	11.2	32
PX1-2	32.0	3.9	32.6	7.8	11.6	42
PX1-3	38.7	6.3	39.9	10.2	11.9	75
PX1-4	44.0	6.3	45.2	10.3	13.1	95
PX1-5	46.3	23.6	47.7	28.1	19.0	266
PX1-6	46.3	23.6	47.7	28.1	19.0	360

**NOTE:** All dimensions are in inches, weights are in pounds. All are approximate.

Dim. Ref.	208/230V	380V	460V	575V
PX1-1	2-5 HP	1.5-5.5KW	2-7.5 HP	-
PX1-2	7.5-10 HP	7.5-11KW	10-15 HP	2-15 HP
PX1-3	15-20HP	15-22KW	20-30 HP	20-25 HP
PX1-4	25-40 HP	30-55KW	40-75 HP	30-60 HP
PX1-5	-	-	-	75 HP
PX1-6	50-75 HP	-	-	-

**Xylem Inc.**

10661 Newkirk Street, Dallas, TX 75220  
 Phone: 1-800-786-7480 Fax: (214) 357-5861  
[www.xylem.com/brands/bellgossett](http://www.xylem.com/brands/bellgossett)



**Bell & Gossett**  
 a xylem brand