



RGS2012E1S / RGS2012E1E

RETROFIT

FEATURES

Design: Retrofittable with all major competitors. Capable of grinding domestic sewage in individual residential applications.

Cutter System: Anti-roping design. Two blade rotary cutter is threaded to shaft. Stationary cutter ring is reversible for extended service.

Impeller: Silicon bronze, semi-open, non-overloading two-vane design with pump-out vanes for mechanical seal protection. Balanced for smooth operation.

Casing: Cast iron, volute type for high efficiency. Adaptable for guide rail system.

Motor: Fully submerged in oil-filled chamber. High grade turbine oil surrounds motor for more efficient heat dissipation, permanent lubrication of bearings and mechanical seal, and protection against outside environment.

Motor Shaft: 300 series stainless steel, short overhang for minimum shaft deflection.

Designed for Continuous Operation: Pump ratings are within the motor manufacturer's recommended working limits, can be operated continuously without damage when fully submerged.

Junction Box Included: All electrical conditions internally wired at factory.

APPLICATIONS

Designed for high head residential sewage applications with drop-in core style.

SPECIFICATIONS

Pump:

- Capacities: to 41 GPM
- Total heads: to 95' TDH
- Discharge: 1¼" NPT
- Temperature: 104°F (40°C) maximum continuous, 140°F (60°C) maximum intermittent
- Single mechanical seal: silicon carbide rotary/silicon carbide stationary, 300 series stainless steel metal parts, BUNA-N elastomers
- Fasteners: 300 series stainless steel
- Rotating cutter and cutter ring: 440 C hardened stainless steel

Retrofit Adapter: Electrical connection pin plug included.

Bearings: Upper and lower ball bearings for precision positioning of parts and to carry all radial and thrust loads.

Mechanical Seal: Hardfaced Silicon carbide for longer life, stainless steel metal parts, BUNA-N elastomers.

Power Cable: Severe duty rated, oil and water resistant.

Piping: Stainless piping

Check valve included

Floats for on/off and alarm included

Piping and candy cane discharge pipe in stainless steel included.

AGENCY LISTINGS



Tested to UL 778 and CSA 22.2 108 Standards
By Canadian Standards Association
File #LR38549



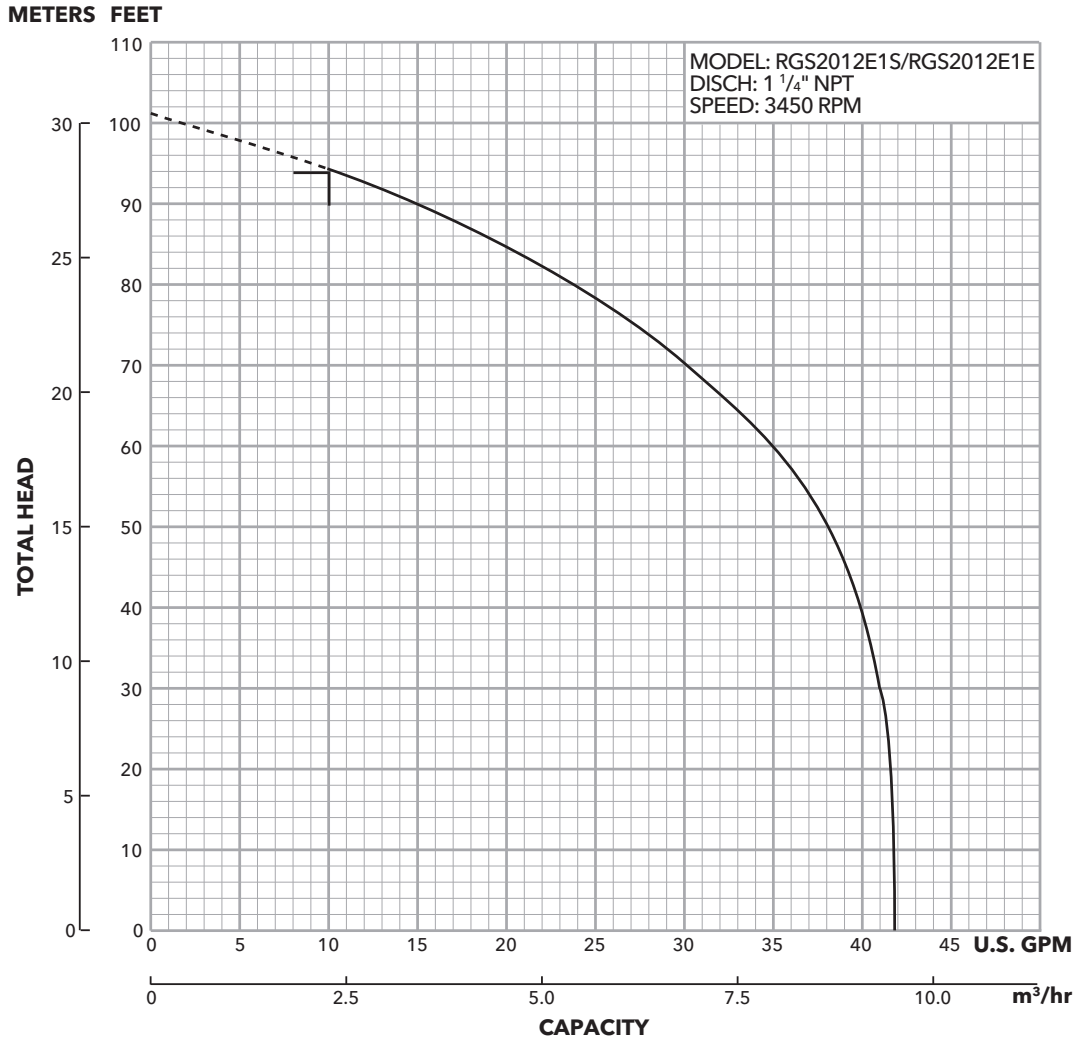
Underwriters Laboratories

Motor:

- Single phase: 2 HP, 60 Hz, 3450 RPM, 208/230 V, capacitor start with on winding thermal protector. No external capacitor kits required.
- Class F insulation
- Shaft: 300 series stainless steel threaded design
- Bearings: ball bearings upper and lower

Power Cord:

- Use for connections with standard or extreme versions
- Standard length 6', 14/3 STOW
- All electrical connections made at factory in junction box



⌊ = A 1 1/4" minimum discharge pipe requires a minimum flow of 10 gpm to maintain a 2 ft./sec. scouring velocity. Flows less than 10 gpm will allow solids to settle in the pipe.

MODEL INFORMATION

Order Number	Operation	Power Cord
RGS2012E1S/E1E	Manual	6' with Bare Leads

MOTOR DATA

HP	Volts	Phase	RPM	Maximum Amps	LRA	Full Load Motor Efficiency	Resistance		Power Cable	Fuse/Circuit Breaker
							Start	Line-Line		
2	208/230	1	3450	15	59	70	2.47	0.6	14/3	30

APPLICATION DATA

Minimum Casing Thickness	5/16"
Casing Corrosion Allowance	1/8"
Maximum Working Pressure	50 PSI
Maximum Submergence	50 feet
Minimum Submergence	Fully submerged for continuous operation
	12" below top of motor for intermittent operation
Maximum Environmental Temperature	40°C (104°F) continuous operation
	60°C (140°F) intermittent operation
Maximum Number of Evenly Distributed Starts per hour	10
Bearings	B-10 life of 30,000 hours min.
1 1/4" Minimum Discharge Pipe Diameter	Requires a minimum flow of 10 gpm to maintain a 2 ft./sec. scouring velocity

CUTTER ASSEMBLY

2-Blade Rotating Cutter



Reversible Cutter Ring

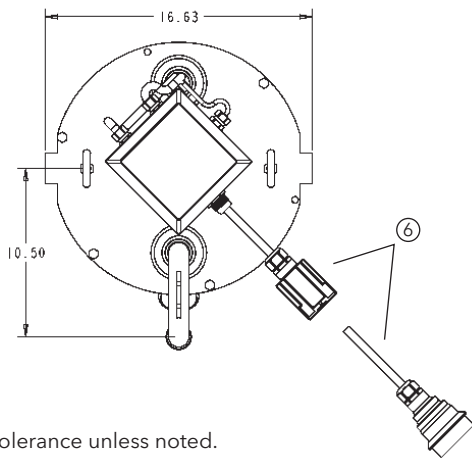


CONSTRUCTION DETAILS

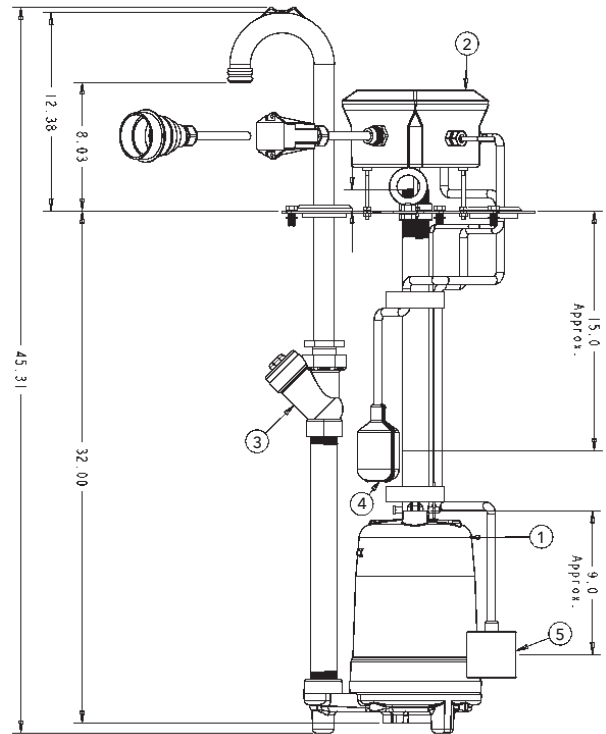
Power Cable - type	14/3 STOW, single phase with bare leads
	14/3 STOW, with 230 V NEMA three prong grounding plug
Motor Cover	Gray cast iron - ASTM A48, Class 30
Bearing Housing	Gray cast iron - ASTM A48, Class 30
Seal Housing	Gray cast iron - ASTM A48, Class 30
Casing	Gray cast iron - ASTM A48, Class 30
Impeller	Cast silicon bronze - ASTM B584 C87600
Motor Shaft	AISI 300 series stainless steel
Motor Design	NEMA 48 frame, oil filled with Class F insulation
Motor Overload Protection	On winding thermal protector - auto reset
External Hardware	300 series stainless steel
Impeller Type	Semi-opened with pump out vanes on back shroud
Cutter	Two blades; type 440C hardened stainless steel
Oil Capacity - motor chamber	.88 gallons
Junction Box	Fiberglass
Piping	Stainless Steel
Candy Cane	Stainless Steel
Check Valve	Epoxy Coated Cast Iron

STANDARD PARTS

Item No.	Major Components	Standard	Extreme
1	RGS2010 Grinder E1	RGS2012E1	
2	Junction Box with Electrical Adaptor	9K600	9K601
3	Check / Anti-Siphon Valve	A9-12BAS	
4	Signal Master FS	A2N03	
5	Pump Master Plus FS	A2E03	
6	Electrical Adapter Cord only	9K642	9K643



All dimensions ± 1/8 tolerance unless noted.



xylem
Let's Solve Water

Xylem Inc.
2881 East Bayard Street Ext., Suite A
Seneca Falls, NY 13148
Phone: (866) 325-4210
Fax: (888) 322-5877
www.gouldswatertechnology.com

Goulds is a registered trademark of Goulds Pumps, Inc. and is used under license.
© 2012 Xylem Inc. BRETRO R2 February 2014