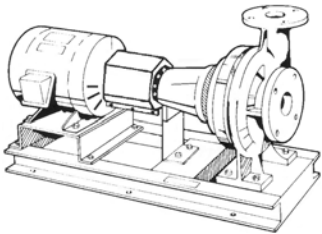


<b>JOB:</b>	<b>REPRESENTATIVE:</b>	
<b>UNIT TAG:</b>	<b>ORDER NO.</b>	<b>DATE:</b>
<b>ENGINEER:</b>	<b>SUBMITTED BY:</b>	<b>DATE:</b>
<b>CONTRACTOR:</b>	<b>APPROVED BY:</b>	<b>DATE:</b>



# 2G Series 1510 Centrifugal Pumps - Base Mounted

**SPECIFICATIONS**

FLOW \_\_\_\_\_ HEAD \_\_\_\_\_  
 HP \_\_\_\_\_ RPM \_\_\_\_\_  
 VOLTS \_\_\_\_\_  
 CYCLE \_\_\_\_\_ PHASE \_\_\_\_\_  
 ENCLOSURE \_\_\_\_\_  
 APPROX. WEIGHT \_\_\_\_\_  
 SPECIALS \_\_\_\_\_

Note: Equipped with NEOPRENE coupling

**MATERIALS OF CONSTRUCTION**

- BRONZE FITTED     ALL IRON

**FEATURES**

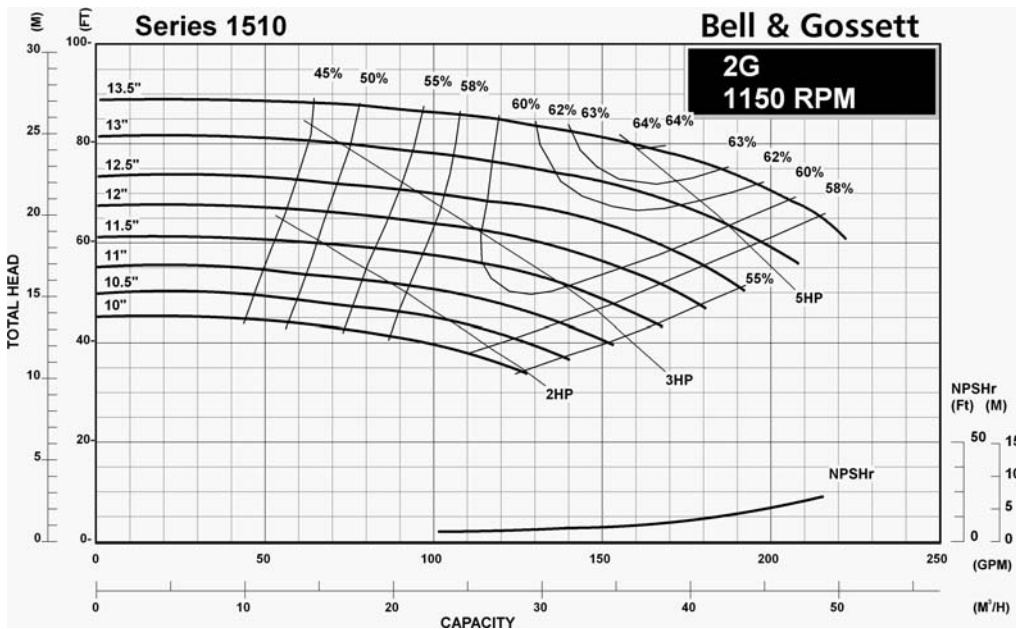
- i-ALERT™ Condition Monitor
- ANSI/OSHA Coupling Guard
- Center Drop Out Spacer Coupling
- Fabricated Heavy Duty Baseplate

**MAXIMUM WORKING PRESSURE**

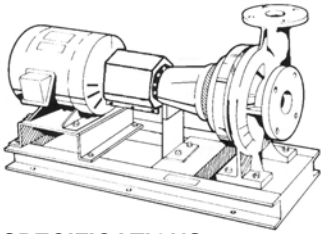
- 175 psi (12 bar) W.P. w/125# ANSI flange drilling
- 250 psi (17 bar) W.P. w/250# ANSI flange drilling (requires 1510-S)

**TYPE OF SEAL**

- 1510 Standard Seal (Buna-Carbon/Ceramic)
- 1510 -F Standard Seal w/ Flush Line (Buna-Carbon/Ceramic)
- 1510 -S Stuffing Box construction w/ Flushed Mechanical Single Seal (EPR-Tungsten Carbide/Carbon)
- 1510 -D Stuffing Box construction w/ Flushed Double Mechanical Seal (EPR-Carbon/Ceramic) Requires external water source
- 1510 -PF Stuffing Box Construction w/ Packing (Graphite Impregnated Teflon)



<b>JOB:</b>   <b>UNIT TAG:</b> <b>ENGINEER:</b> <b>CONTRACTOR:</b>	<b>REPRESENTATIVE:</b>   <b>ORDER NO.</b> <b>SUBMITTED BY:</b> <b>APPROVED BY:</b>	<b>DATE:</b> <b>DATE:</b> <b>DATE:</b>
---	---	--



# 2G

## Series 1510

### Centrifugal Pumps - Base Mounted

**SPECIFICATIONS**

FLOW \_\_\_\_\_ HEAD \_\_\_\_\_  
 HP \_\_\_\_\_ RPM \_\_\_\_\_  
 VOLTS \_\_\_\_\_  
 CYCLE \_\_\_\_\_ PHASE \_\_\_\_\_  
 ENCLOSURE \_\_\_\_\_  
 APPROX. WEIGHT \_\_\_\_\_  
 SPECIALS \_\_\_\_\_

**Note:** Equipped with NEOPRENE coupling

**MATERIALS OF CONSTRUCTION**

- BRONZE FITTED     ALL IRON

**FEATURES**

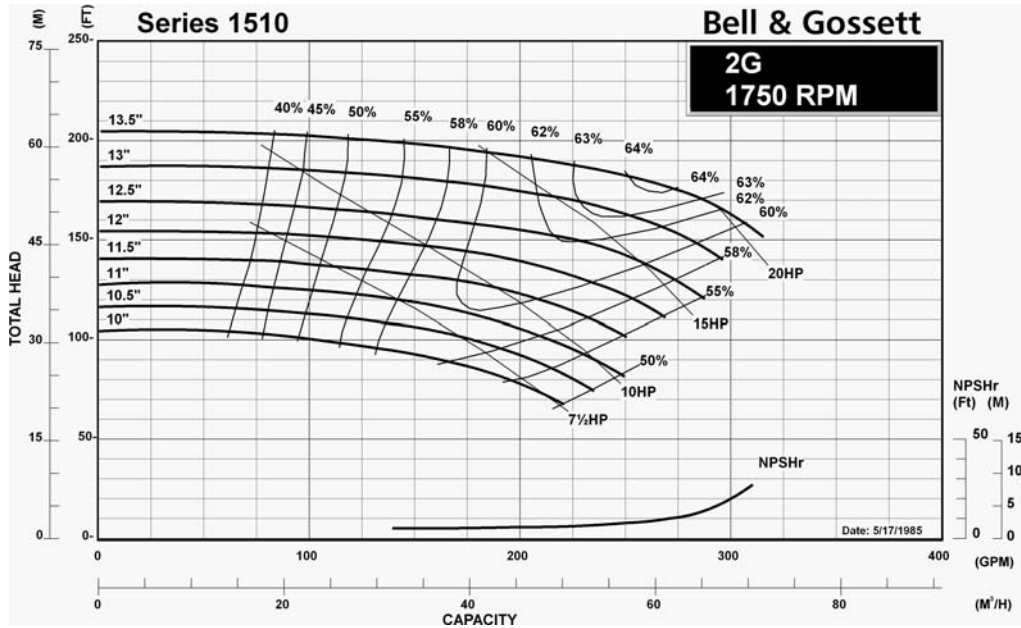
- i-ALERT™ Condition Monitor
- ANSI/OSHA Coupling Guard
- Center Drop Out Spacer Coupling
- Fabricated Heavy Duty Baseplate

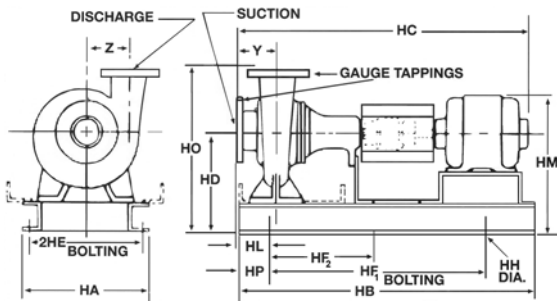
**MAXIMUM WORKING PRESSURE**

- 175 psi (12 bar) W.P. w/125# ANSI flange drilling
- 250 psi (17 bar) W.P. w/250# ANSI flange drilling (requires 1510-S)

**TYPE OF SEAL**

- 1510 Standard Seal (Buna-Carbon/Ceramic)
- 1510 -F Standard Seal w/ Flush Line (Buna-Carbon/Ceramic)
- 1510 -S Stuffing Box construction w/ Flushed Mechanical Single Seal (EPR-Tungsten Carbide/Carbon)
- 1510 -D Stuffing Box construction w/ Flushed Double Mechanical Seal (EPR-Carbon/Ceramic) Requires external water source
- 1510 -PF Stuffing Box Construction w/ Packing (Graphite Impregnated Teflon)





FLANGE DIMENSIONS IN INCHES (MM)			
	SIZE	THICKNESS	O.D.
Discharge	2"	7/8" (22)	6-1/4" (159)
Suction	3"	1-1/8" (29)	8" (203)

FLANGES ARE 125# ANSI - STANDARD  
250# ANSI - AVAILABLE

**DIMENSIONS - Inches (mm)**

**STANDARD SEAL 1510, 1510-F**

MOTOR FRAME	HA	HB	HC MAX	HD	2HE	HF <sub>1</sub>	HF <sub>2</sub>	HH	HL	HM MAX	HO	HP	Y	Z
	<b>"L" FRAME</b>													
213T	16 (406)	46-1/2 (1181)	41-3/8 (1051)	14 (356)	14 (356)	36-1/2 (927)	18-1/4 (464)	7/8 (22)	3-7/8 (98)	19-7/8 (505)	23 (584)	5 (127)	5-1/2 (140)	7-1/4 (184)
215T	16 (406)	46-1/2 (1181)	42-7/8 (1089)	14 (356)	14 (356)	36-1/2 (927)	18-1/4 (464)	7/8 (22)	3-7/8 (98)	19-7/8 (505)	23 (584)	5 (127)	5-1/2 (140)	7-1/4 (184)
254T	16 (406)	46-1/2 (1181)	46-5/8 (1184)	14 (356)	14 (356)	36-1/2 (927)	18-1/4 (464)	7/8 (22)	3-7/8 (98)	20-7/8 (530)	23 (584)	5 (127)	5-1/2 (140)	7-1/4 (184)
256T	16 (406)	46-1/2 (1181)	48-3/8 (1229)	14 (356)	14 (356)	36-1/2 (927)	18-1/4 (464)	7/8 (22)	3-7/8 (98)	20-7/8 (530)	23 (584)	5 (127)	5-1/2 (140)	7-1/4 (184)
284T	16 (406)	51-3/4 (1314)	48-5/8 (1235)	14 (356)	14 (356)	41-3/4 (1060)	20-7/8 (530)	7/8 (22)	3-7/8 (98)	22 (559)	23 (584)	5 (127)	5-1/2 (140)	7-1/4 (184)

**STUFFING BOX 1510-PF, 1510-S, 1510-D**

MOTOR FRAME	HA	HB	HC MAX	HD	2HE	HF <sub>1</sub>	HF <sub>2</sub>	HH	HL	HM MAX	HO	HP	Y	Z
	<b>"L" FRAME</b>													
213T	16 (406)	46-1/2 (1181)	43-3/4 (1111)	14 (356)	14 (356)	36-1/2 (927)	18-1/4 (464)	7/8 (22)	3-7/8 (98)	19-7/8 (505)	23 (584)	5 (127)	5-1/2 (140)	7-1/4 (184)
215T	16 (406)	46-1/2 (1181)	45-1/4 (1149)	14 (356)	14 (356)	36-1/2 (927)	18-1/4 (464)	7/8 (22)	3-7/8 (98)	19-7/8 (505)	23 (584)	5 (127)	5-1/2 (140)	7-1/4 (184)
254T	16 (406)	51-3/4 (1314)	49 (1245)	14 (356)	14 (356)	41-3/4 (1060)	20-7/8 (530)	7/8 (22)	3-7/8 (98)	20-7/8 (530)	23 (584)	5 (127)	5-1/2 (140)	7-1/4 (184)
256T	16 (406)	51-3/4 (1314)	50-3/4 (1289)	14 (356)	14 (356)	41-3/4 (1060)	20-7/8 (530)	7/8 (22)	3-7/8 (98)	20-7/8 (530)	23 (584)	5 (127)	5-1/2 (140)	7-1/4 (184)
284T	16 (406)	51-3/4 (1314)	51 (1295)	14 (356)	14 (356)	41-3/4 (1060)	20-7/8 (530)	7/8 (22)	3-7/8 (98)	22 (559)	23 (584)	5 (127)	5-1/2 (140)	7-1/4 (184)

Dimensions are subject to change. Not to be used for construction purposes unless certified.

Xylem Inc.  
8200 N. Austin Avenue  
Morton Grove, IL 60053  
Phone: (847)966-3700  
Fax: (847)965-8379  
www.xyleminc.com/brands/bellgossett

