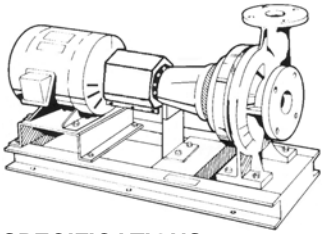


<b>JOB:</b>    <b>UNIT TAG:</b> <b>ENGINEER:</b> <b>CONTRACTOR:</b>	<b>REPRESENTATIVE:</b>    <b>ORDER NO.</b> <b>SUBMITTED BY:</b> <b>APPROVED BY:</b>	<b>DATE:</b> <b>DATE:</b> <b>DATE:</b>
---	---	--



# 6E

## Series 1510

### Centrifugal Pumps - Base Mounted

**SPECIFICATIONS**

FLOW \_\_\_\_\_ HEAD \_\_\_\_\_  
 HP \_\_\_\_\_ RPM \_\_\_\_\_  
 VOLTS \_\_\_\_\_  
 CYCLE \_\_\_\_\_ PHASE \_\_\_\_\_  
 ENCLOSURE \_\_\_\_\_  
 APPROX. WEIGHT \_\_\_\_\_  
 SPECIALS \_\_\_\_\_

**Note:** Equipped with NEOPRENE coupling

**MATERIALS OF CONSTRUCTION**

- BRONZE FITTED     ALL IRON

**FEATURES**

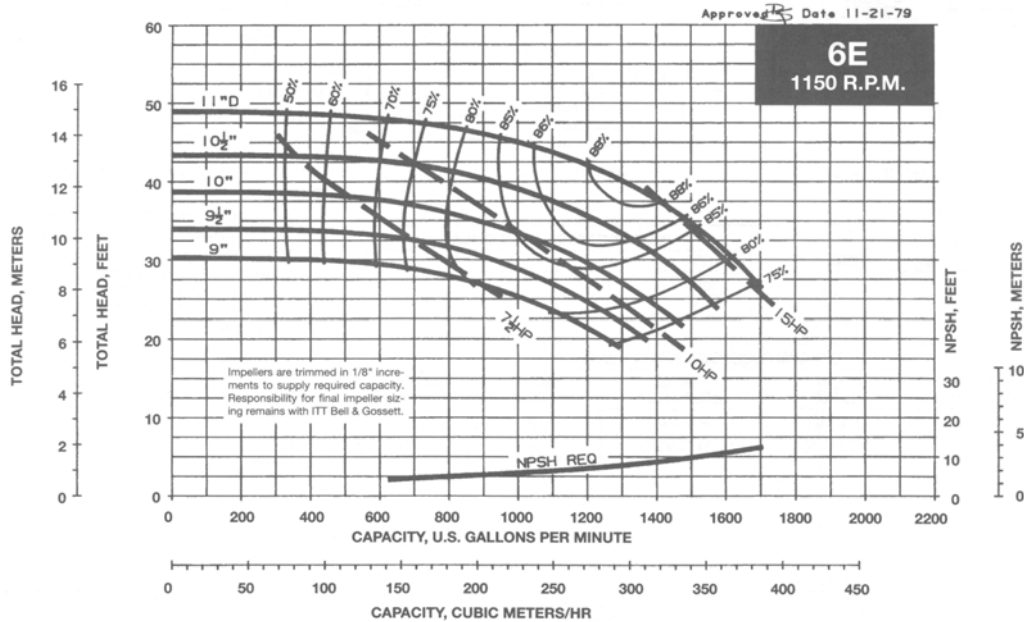
- i-ALERT™ Condition Monitor
- ANSI/OSHA Coupling Guard
- Center Drop Out Spacer Coupling
- Fabricated Heavy Duty Baseplate

**MAXIMUM WORKING PRESSURE**

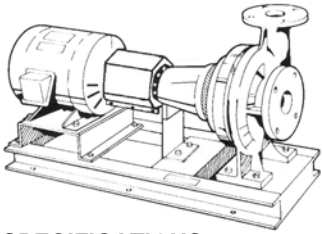
- 175 psi (12 bar) W.P. w/125# ANSI flange drilling
- 250 psi (17 bar) W.P. w/250# ANSI flange drilling (requires 1510-S)

**TYPE OF SEAL**

- 1510 Standard Seal (Buna-Carbon/Ceramic)
- 1510 -F Standard Seal w/ Flush Line (Buna-Carbon/Ceramic)
- 1510 -S Stuffing Box construction w/ Flushed Mechanical Single Seal (EPR-Tungsten Carbide/Carbon)
- 1510 -D Stuffing Box construction w/ Flushed Double Mechanical Seal (EPR-Carbon/Ceramic) Requires external water source
- 1510 -PF Stuffing Box Construction w/ Packing (Graphite Impregnated Teflon)



<b>JOB:</b>  <b>UNIT TAG:</b> <b>ENGINEER:</b> <b>CONTRACTOR:</b>	<b>REPRESENTATIVE:</b>  <b>ORDER NO.</b> <b>SUBMITTED BY:</b> <b>APPROVED BY:</b>	<b>DATE:</b> <b>DATE:</b> <b>DATE:</b>
---	---	--



# 6E

## Series 1510

### Centrifugal Pumps - Base Mounted

**SPECIFICATIONS**

FLOW \_\_\_\_\_ HEAD \_\_\_\_\_  
 HP \_\_\_\_\_ RPM \_\_\_\_\_  
 VOLTS \_\_\_\_\_  
 CYCLE \_\_\_\_\_ PHASE \_\_\_\_\_  
 ENCLOSURE \_\_\_\_\_  
 APPROX. WEIGHT \_\_\_\_\_  
 SPECIALS \_\_\_\_\_

**Note: Equipped with NEOPRENE coupling**

**MATERIALS OF CONSTRUCTION**

- BRONZE FITTED     ALL IRON

**FEATURES**

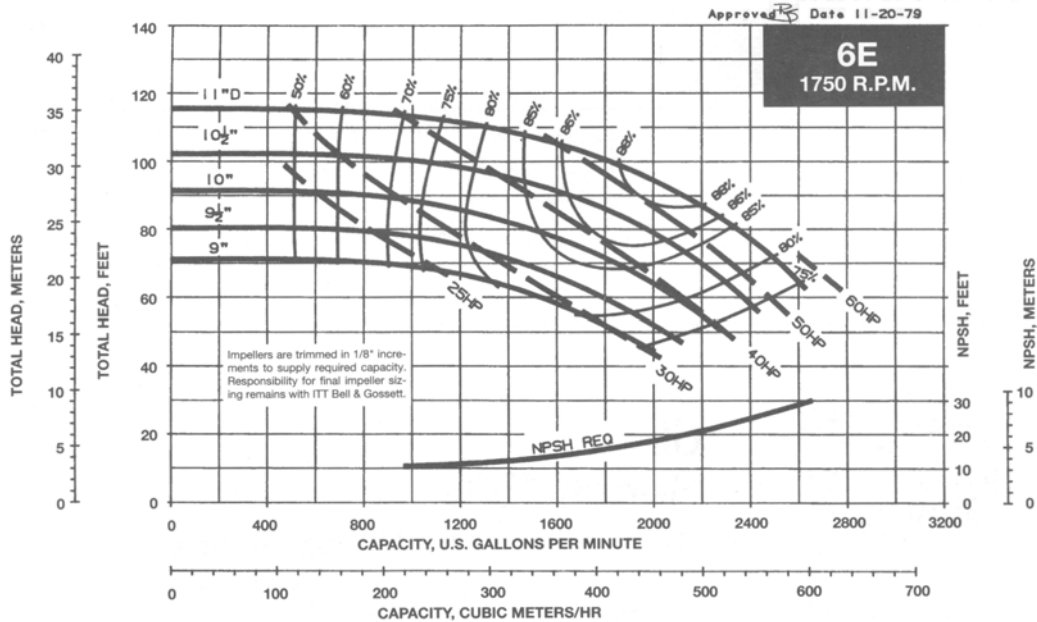
- i-ALERT™ Condition Monitor
- ANSI/OSHA Coupling Guard
- Center Drop Out Spacer Coupling
- Fabricated Heavy Duty Baseplate

**MAXIMUM WORKING PRESSURE**

- 175 psi (12 bar) W.P. w/125# ANSI flange drilling
- 250 psi (17 bar) W.P. w/250# ANSI flange drilling (requires 1510-S)

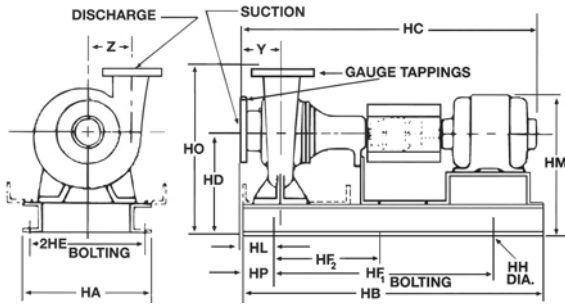
**TYPE OF SEAL**

- 1510 Standard Seal (Buna-Carbon/Ceramic)
- 1510 -F Standard Seal w/ Flush Line (Buna-Carbon/Ceramic)
- 1510 -S Stuffing Box construction w/ Flushed Mechanical Single Seal (EPR-Tungsten Carbide/Carbon)
- 1510 -D Stuffing Box construction w/ Flushed Double Mechanical Seal (EPR-Carbon/Ceramic) Requires external water source
- 1510 -PF Stuffing Box Construction w/ Packing (Graphite Impregnated Teflon)



# Series 1510 6E Centrifugal Pump Submittal

B-225.8E



FLANGE DIMENSIONS IN INCHES (MM)			
	SIZE	THICKNESS	O.D.
Discharge	6" (152)	1-7/16" (37)	12-1/8" (308)
Suction	8" (203)	1-5/8" (41)	14-3/4" (375)

FLANGES ARE 125# ANSI - STANDARD  
250# ANSI - AVAILABLE

**DIMENSIONS - Inches (mm)**

**STANDARD SEAL 1510, 1510-F**

MOTOR FRAME	HA	HB	HC MAX	HD	2HE	HF <sub>1</sub>	HF <sub>2</sub>	HH	HL	HM MAX	HO	HP	Y	Z
	<b>"L" FRAME</b>													
254T	24 (610)	56 (1422)	47-5/8 (1210)	16-1/2 (419)	21-1/2 (546)	44 (1118)	22 (559)	1 (25)	6 (152)	23-3/8 (594)	27-1/2 (698)	6 (152)	6-1/8 (156)	8-15/32 (215)
256T	24 (610)	56 (1422)	49-3/8 (1254)	16-1/2 (419)	21-1/2 (546)	44 (1118)	22 (559)	1 (25)	6 (152)	23-3/8 (594)	27-1/2 (698)	6 (152)	6-1/8 (156)	8-15/32 (215)
284T	24 (610)	56 (1422)	50-5/16 (1278)	16-1/2 (419)	21-1/2 (546)	44 (1118)	22 (559)	1 (25)	6 (152)	24-1/2 (622)	27-1/2 (698)	6 (152)	6-1/8 (156)	8-15/32 (215)
286T	24 (610)	56 (1422)	51-13/16 (1316)	16-1/2 (419)	21-1/2 (546)	44 (1118)	22 (559)	1 (25)	6 (152)	24-1/2 (622)	27-1/2 (698)	6 (152)	6-1/8 (156)	8-15/32 (215)
324T	24 (610)	56 (1422)	53-7/8 (1368)	16-1/2 (419)	21-1/2 (546)	44 (1118)	22 (559)	1 (25)	6 (152)	25-5/8 (651)	27-1/2 (698)	6 (152)	6-1/8 (156)	8-15/32 (215)
326T	24 (610)	56 (1422)	55-3/8 (1407)	16-1/2 (419)	21-1/2 (546)	44 (1118)	22 (559)	1 (25)	6 (152)	25-5/8 (651)	27-1/2 (698)	6 (152)	6-1/8 (156)	8-15/32 (215)
364T	24 (610)	56 (1422)	57-9/16 (1462)	16-1/2 (419)	21-1/2 (546)	44 (1118)	22 (559)	1 (25)	6 (152)	26-3/4 (679)	27-1/2 (698)	6 (152)	6-1/8 (156)	8-15/32 (215)

**STUFFING BOX 1510-PF, 1510-S, 1510-D**

MOTOR FRAME	HA	HB	HC MAX	HD	2HE	HF <sub>1</sub>	HF <sub>2</sub>	HH	HL	HM MAX	HO	HP	Y	Z
	<b>"L" FRAME</b>													
254T	24 (610)	56 (1422)	50 (1270)	16-1/2 (419)	21-1/2 (546)	44 (1118)	22 (559)	1 (25)	6 (152)	23-3/8 (594)	27-1/2 (698)	6 (152)	6-1/8 (155)	8-15/32 (215)
256T	24 (610)	56 (1422)	51-3/4 (1314)	16-1/2 (419)	21-1/2 (546)	44 (1118)	22 (559)	1 (25)	6 (152)	23-3/8 (594)	27-1/2 (698)	6 (152)	6-1/8 (155)	8-15/32 (215)
284T	24 (610)	56 (1422)	52-11/16 (1338)	16-1/2 (419)	21-1/2 (546)	44 (1118)	22 (559)	1 (25)	6 (152)	24-1/2 (622)	27-1/2 (698)	6 (152)	6-1/8 (155)	8-15/32 (215)
286T	24 (610)	56 (1422)	54-3/16 (1376)	16-1/2 (419)	21-1/2 (546)	44 (1118)	22 (559)	1 (25)	6 (152)	24-1/2 (622)	27-1/2 (698)	6 (152)	6-1/8 (155)	8-15/32 (215)
324T	24 (610)	56 (1422)	56-1/4 (1429)	16-1/2 (419)	21-1/2 (546)	44 (1118)	22 (559)	1 (25)	6 (152)	25-5/8 (651)	27-1/2 (698)	6 (152)	6-1/8 (155)	8-15/32 (215)
326T	24 (610)	56 (1422)	57-3/4 (1467)	16-1/2 (419)	21-1/2 (546)	44 (1118)	22 (559)	1 (25)	6 (152)	25-5/8 (651)	27-1/2 (698)	6 (152)	6-1/8 (155)	8-15/32 (215)
364T	24 (610)	56 (1422)	59-15/16 (1522)	16-1/2 (419)	21-1/2 (546)	44 (1118)	22 (559)	1 (25)	6 (152)	26-3/4 (679)	27-1/2 (698)	6 (152)	6-1/8 (155)	8-15/32 (215)

Dimensions are subject to change. Not to be used for construction purposes unless certified.

Xylem Inc.  
8200 N. Austin Avenue  
Morton Grove, IL 60053  
Phone: (847)966-3700  
Fax: (847)965-8379  
www.xyleminc.com/brands/bellgossett



Bell & Gossett is a trademark of Xylem Inc. or one of its subsidiaries.  
© 2012 Xylem Inc.