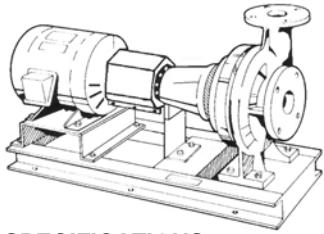


JOB: UNIT TAG: ENGINEER: CONTRACTOR:	REPRESENTATIVE: ORDER NO. SUBMITTED BY: APPROVED BY:	DATE: DATE: DATE:
---	---	--



4AC

Series 1510

Centrifugal Pumps - Base Mounted

SPECIFICATIONS

FLOW _____ HEAD _____
 HP _____ RPM _____
 VOLTS _____
 CYCLE _____ PHASE _____
 ENCLOSURE _____
 APPROX. WEIGHT _____
 SPECIALS _____

Note: Equipped with NEOPRENE coupling

MATERIALS OF CONSTRUCTION

BRONZE FITTED ALL IRON

FEATURES

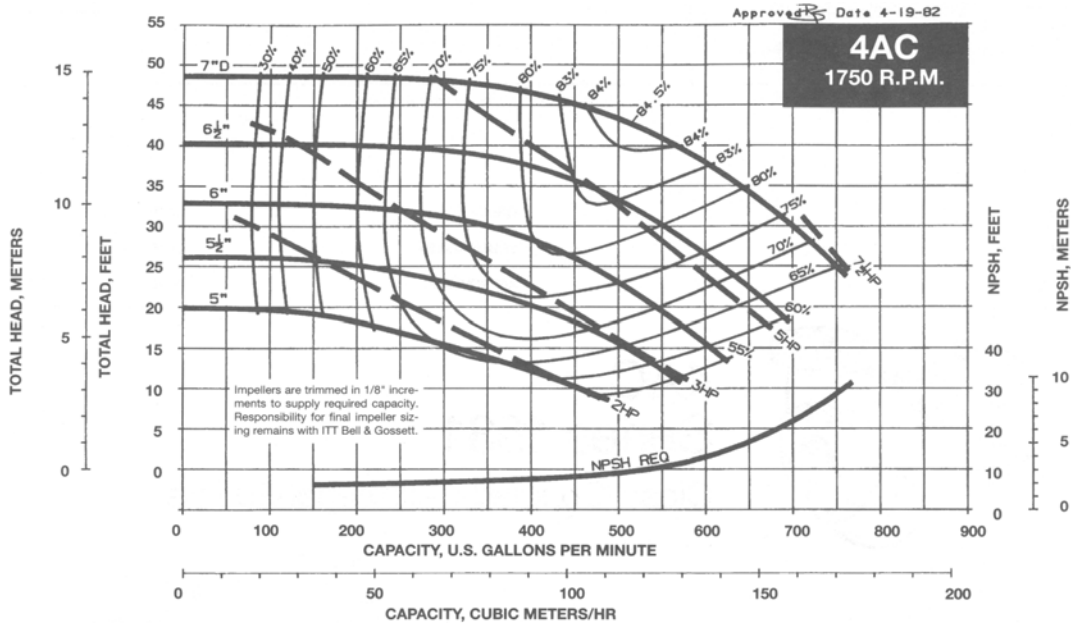
- i-ALERT™ Condition Monitor
- ANSI/OSHA Coupling Guard
- Center Drop Out Spacer Coupling
- Fabricated Heavy Duty Baseplate

MAXIMUM WORKING PRESSURE

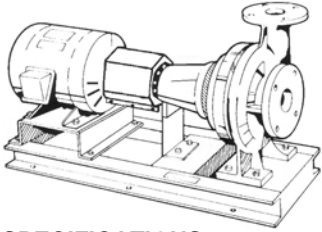
- 175 psi (12 bar) W.P. w/125# ANSI flange drilling
- 250 psi (17 bar) W.P. w/250# ANSI flange drilling (requires 1510-S)

TYPE OF SEAL

- 1510 Standard Seal (Buna-Carbon/Ceramic)
- 1510 -F Standard Seal w/ Flush Line (Buna-Carbon/Ceramic)
- 1510 -S Stuffing Box construction w/ Flushed Mechanical Single Seal (EPR-Tungsten Carbide/Carbon)
- 1510 -D Stuffing Box construction w/ Flushed Double Mechanical Seal (EPR-Carbon/Ceramic) Requires external water source
- 1510 -PF Stuffing Box Construction w/ Packing (Graphite Impregnated Teflon)



JOB: UNIT TAG: ENGINEER: CONTRACTOR:	REPRESENTATIVE: ORDER NO. SUBMITTED BY: APPROVED BY:	DATE: DATE: DATE:
---	---	--



4AC

Series 1510

Centrifugal Pumps - Base Mounted

SPECIFICATIONS

FLOW _____ HEAD _____
 HP _____ RPM _____
 VOLTS _____
 CYCLE _____ PHASE _____
 ENCLOSURE _____
 APPROX. WEIGHT _____
 SPECIALS _____

Note: Equipped with NEOPRENE coupling

MATERIALS OF CONSTRUCTION

- BRONZE FITTED ALL IRON

FEATURES

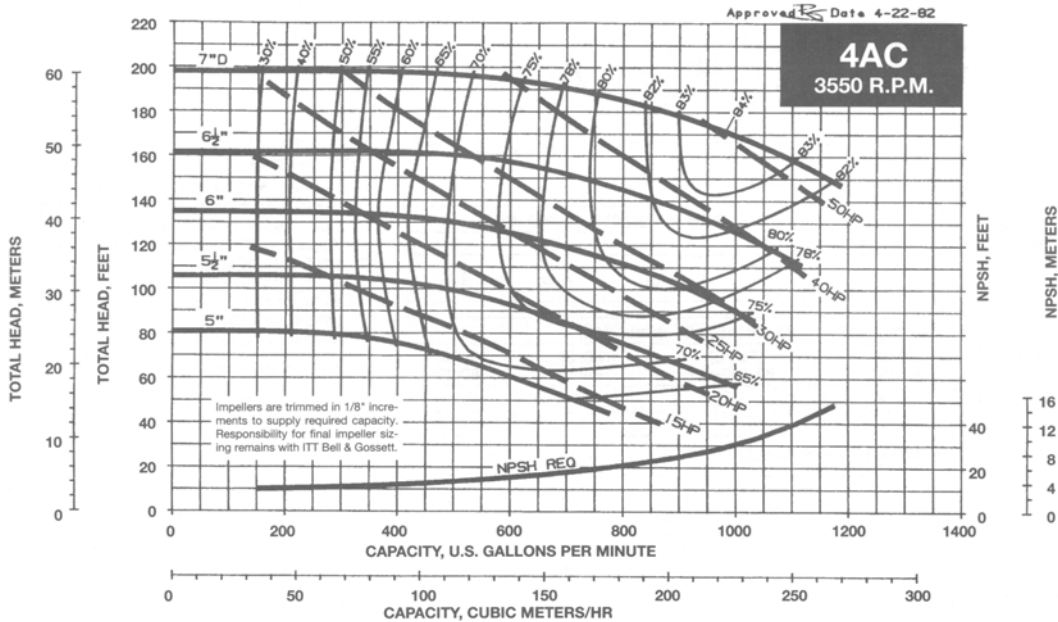
- i-ALERT™ Condition Monitor
- ANSI/OSHA Coupling Guard
- Center Drop Out Spacer Coupling
- Fabricated Heavy Duty Baseplate

MAXIMUM WORKING PRESSURE

- 175 psi (12 bar) W.P. w/125# ANSI flange drilling
- 250 psi (17 bar) W.P. w/250# ANSI flange drilling (requires 1510-S)

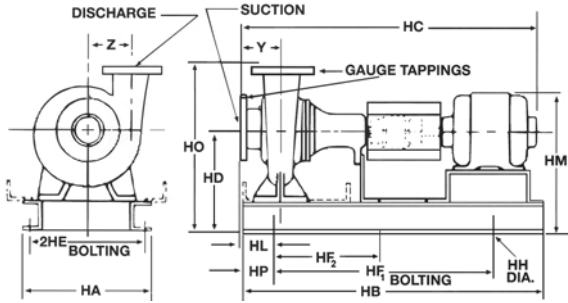
TYPE OF SEAL

- 1510 Standard Seal (Buna-Carbon/Ceramic)
- 1510 -F Standard Seal w/ Flush Line (Buna-Carbon/Ceramic)
- 1510 -S Stuffing Box construction w/ Flushed Mechanical Single Seal (EPR-Tungsten Carbide/Carbon)
- 1510 -D Stuffing Box construction w/ Flushed Double Mechanical Seal (EPR-Carbon/Ceramic) Requires external water source
- 1510 -PF Stuffing Box Construction w/ Packing (Graphite Impregnated Teflon)



Series 1510 4AC Centrifugal Pump Submittal

B-225.5G



FLANGE DIMENSIONS IN INCHES (MM)			
	SIZE	THICKNESS	O.D.
Discharge	4" (102)	1-1/4 (32)	9-1/2 (273)
Suction	5" (127)	1-3/8" (35)	10-3/4" (273)

FLANGES ARE 125# ANSI - STANDARD
250# ANSI - AVAILABLE

DIMENSIONS - Inches (mm)

STANDARD SEAL 1510, 1510-F

MOTOR FRAME	HA	HB	HC MAX	HD	2HE	HF ₁	HF ₂	HH	HL	HM MAX	HO	HP	Y	Z
"S" FRAME														
145T	14-5/8 (371)	31 (787)	32-1/8 (816)	10-3/4 (273)	12-7/8 (327)	25 (635)	-	3/4 (19)	4-5/16 (110)	14-1/2 (368)	18-1/4 (464)	3 (76)	4-15/16 (125)	5-3/4 (146)
182T	14-5/8 (371)	31 (787)	34-3/4 (883)	10-3/4 (273)	12-7/8 (327)	25 (635)	-	3/4 (19)	4-5/16 (110)	16 (406)	18-1/4 (464)	3 (76)	4-15/16 (125)	5-3/4 (146)
184T	14-5/8 (371)	31 (787)	35-1/2 (902)	10-3/4 (273)	12-7/8 (327)	25 (635)	-	3/4 (19)	4-5/16 (110)	16 (406)	18-1/4 (464)	3 (76)	4-15/16 (125)	5-3/4 (146)
213T	14-5/8 (371)	34-5/8 (879)	38-1/8 (968)	10-3/4 (273)	12-7/8 (327)	28-5/8 (727)	-	3/4 (19)	4-5/16 (110)	16-5/8 (422)	18-1/4 (464)	3 (76)	4-15/16 (125)	5-3/4 (146)
"L" FRAME														
215T	14-5/8 (371)	39-3/8 (1000)	44 (1118)	10-3/4 (273)	12-7/8 (327)	33-3/8 (848)	-	3/4 (19)	4-5/16 (110)	16-5/8 (422)	18-1/4 (464)	3 (76)	4-15/16 (125)	5-3/4 (146)
254T	16 (406)	46-1/2 (1181)	47-3/4 (1213)	12 (305)	14 (356)	36-1/2 (927)	18-1/4 (464)	7/8 (22)	5-7/16 (138)	18-7/8 (479)	19-1/2 (495)	5 (127)	4-15/16 (125)	5-3/4 (146)
256T	16 (406)	46-1/2 (1181)	49-1/2 (1257)	13 (330)	14 (356)	36-1/2 (927)	18-1/4 (464)	7/8 (22)	5-7/16 (138)	21 (533)	19-1/2 (495)	5 (127)	4-15/16 (125)	5-3/4 (146)
284TS	16 (406)	46-1/2 (1181)	48-3/4 (1238)	13 (330)	14 (356)	36-1/2 (927)	18-1/4 (464)	7/8 (22)	5-7/16 (138)	21 (533)	20-1/2 (521)	5 (127)	4-15/16 (125)	5-3/4 (146)
286TS	16 (406)	46-1/2 (1181)	50-1/4 (1276)	13 (330)	14 (356)	36-1/2 (927)	18-1/4 (464)	7/8 (22)	5-7/16 (138)	21 (533)	20-1/2 (521)	5 (127)	4-15/16 (125)	5-3/4 (146)
324TS	16 (406)	46-1/2 (1181)	52-1/4 (1327)	12 (305)	14 (356)	36-1/2 (927)	18-1/4 (464)	7/8 (22)	5-7/16 (138)	21 (533)	19-1/2 (495)	5 (127)	4-15/16 (125)	5-3/4 (146)
326TS	16 (406)	46-1/2 (1181)	54 (1372)	12 (305)	14 (356)	36-1/2 (927)	18-1/4 (464)	7/8 (22)	5-7/16 (138)	21 (533)	19-1/2 (495)	5 (127)	4-15/16 (125)	5-3/4 (146)

STUFFING BOX 1510-PF, 1510-S, 1510-D

MOTOR FRAME	HA	HB	HC MAX	HD	2HE	HF ₁	HF ₂	HH	HL	HM MAX	HO	HP	Y	Z
"S" FRAME														
145T	14-5/8 (371)	34-5/8 (879)	35-5/8 (905)	10-3/4 (273)	12-7/8 (327)	28-5/8 (727)	-	3/4 (19)	4-5/16 (109)	14-1/2 (368)	18-1/4 (464)	3 (76)	4-15/16 (125)	5-3/4 (146)
182T	14-5/8 (371)	34-5/8 (879)	38-3/8 (975)	10-3/4 (273)	12-7/8 (327)	28-5/8 (727)	-	3/4 (19)	4-5/16 (109)	16 (406)	18-1/4 (464)	3 (76)	4-15/16 (125)	5-3/4 (146)
184T	14-5/8 (371)	34-5/8 (879)	39-1/8 (994)	10-3/4 (273)	12-7/8 (327)	28-5/8 (727)	-	3/4 (19)	4-5/16 (109)	16 (406)	18-1/4 (464)	3 (76)	4-15/16 (125)	5-3/4 (146)
213T	14-5/8 (371)	39-3/8 (1000)	41-5/8 (1057)	10-3/4 (273)	12-7/8 (327)	33-3/8 (848)	-	3/4 (19)	4-5/16 (109)	16-5/8 (422)	18-1/4 (464)	3 (76)	4-15/16 (125)	5-3/4 (146)
"L" FRAME														
215T	16 (406)	46-1/2 (1181)	46-3/8 (1178)	12 (305)	14 (356)	36-1/2 (927)	18-1/4 (464)	7/8 (22)	5-7/16 (138)	17-7/8 (454)	19-1/2 (495)	5 (127)	4-15/16 (125)	5-3/4 (146)
254T	16 (406)	51-3/4 (1314)	50-1/8 (1273)	12 (305)	14 (356)	41-3/4 (1060)	20-7/8 (530)	7/8 (22)	5-7/16 (138)	18-7/8 (479)	19-1/2 (495)	5 (127)	4-15/16 (125)	5-3/4 (146)
256T	16 (406)	51-3/4 (1314)	51-7/8 (1317)	13 (330)	14 (356)	41-3/4 (1060)	20-7/8 (530)	7/8 (22)	5-7/16 (138)	21 (533)	19-1/2 (495)	5 (127)	4-15/16 (125)	5-3/4 (146)
284TS	16 (406)	51-3/4 (1314)	51-1/8 (1298)	13 (330)	14 (356)	41-3/4 (1060)	20-7/8 (530)	7/8 (22)	5-7/16 (138)	21 (533)	20-1/2 (521)	5 (127)	4-15/16 (125)	5-3/4 (146)
286TS	16 (406)	51-3/4 (1314)	52-5/8 (1337)	13 (330)	14 (356)	41-3/4 (1060)	20-7/8 (530)	7/8 (22)	5-7/16 (138)	21 (533)	20-1/2 (521)	5 (127)	4-15/16 (125)	5-3/4 (146)
324TS	16 (406)	51-3/4 (1314)	54-5/8 (1387)	12 (305)	14 (356)	41-3/4 (1060)	20-7/8 (530)	7/8 (22)	5-7/16 (138)	21 (533)	19-1/2 (495)	5 (127)	4-15/16 (125)	5-3/4 (146)
326TS	16 (406)	51-3/4 (1314)	56-3/8 (1432)	12 (305)	14 (356)	41-3/4 (1060)	20-7/8 (530)	7/8 (22)	5-7/16 (138)	21 (533)	19-1/2 (495)	5 (127)	4-15/16 (125)	5-3/4 (146)

Dimensions are subject to change. Not to be used for construction purposes unless certified.

Xylem Inc.
8200 N. Austin Avenue
Morton Grove, IL 60053
Phone: (847)966-3700
Fax: (847)965-8379
www.xylem.com/brands/bellgossett



Bell & Gossett is a trademark of Xylem Inc. or one of its subsidiaries.
© 2012 Xylem Inc.