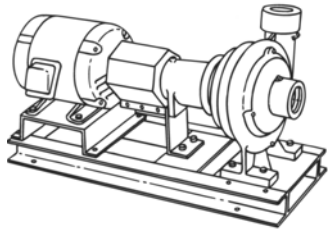


JOB: UNIT TAG: ENGINEER: CONTRACTOR:	REPRESENTATIVE: ORDER NO. SUBMITTED BY: APPROVED BY:	DATE: DATE: DATE:
---	---	--



1-1/2 AC

Series 1510

Centrifugal Pumps - Base Mounted

SPECIFICATIONS

FLOW _____ HEAD _____
 HP _____ RPM _____
 VOLTS _____
 CYCLE _____ PHASE _____
 ENCLOSURE _____
 APPROX. WEIGHT _____
 SPECIALS _____

MATERIALS OF CONSTRUCTION

BRONZE FITTED ALL IRON

FEATURES

- i-ALERT™ Condition Monitor
- ANSI/OSHA Coupling Guard
- Center Drop Out Spacer Coupling
- Fabricated Heavy Duty Baseplate

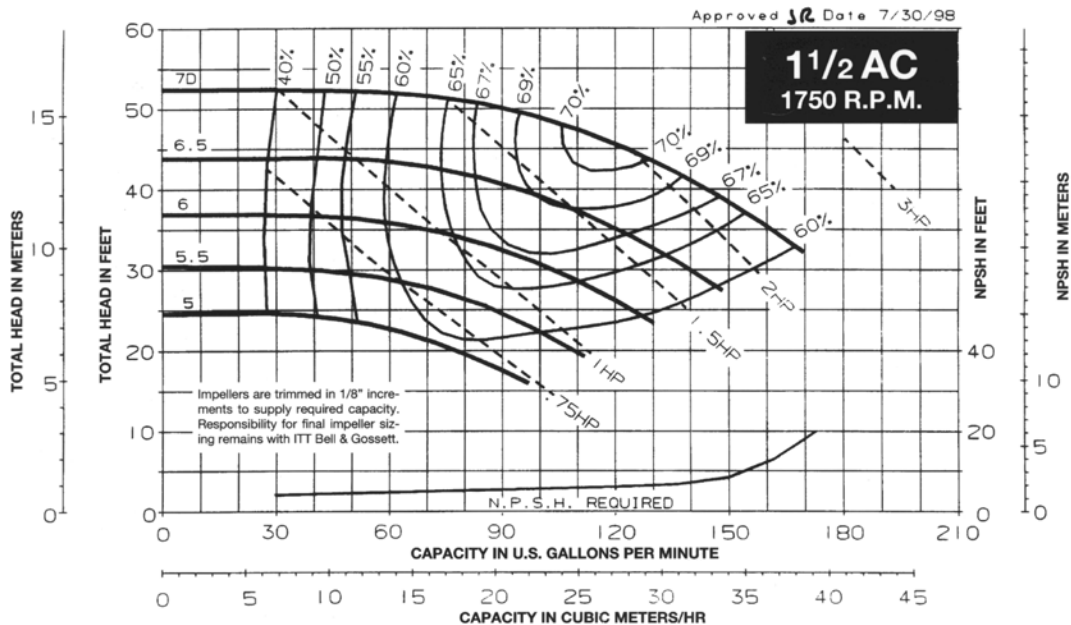
MAXIMUM WORKING PRESSURE

175 psi (12 bar) W.P.

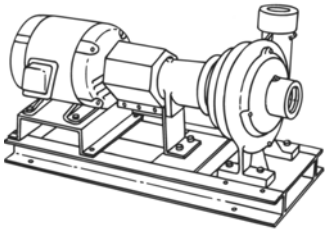
TYPE OF SEAL

- 1510 Standard Seal (Buna-Carbon/Ceramic)
- 1510 -F Standard Seal w/ Flush Line (Buna-Carbon/Ceramic)
- 1510 -S Stuffing Box construction w/ Flushed Mechanical Single Seal (EPR-Tungsten Carbide/Carbon)
- 1510 -D Stuffing Box construction w/ Flushed Double Mechanical Seal (EPR-Carbon/Ceramic) Requires external water source
- 1510 -PF Stuffing Box Construction w/ Packing (Graphite Impregnated Teflon)

Note: Equipped with NEOPRENE coupling



JOB: UNIT TAG: ENGINEER: CONTRACTOR:	REPRESENTATIVE: ORDER NO. SUBMITTED BY: APPROVED BY:	DATE: DATE: DATE:
---	---	--



1-1/2 AC

Series 1510

Centrifugal Pumps - Base Mounted

SPECIFICATIONS

FLOW _____ HEAD _____
 HP _____ RPM _____
 VOLTS _____
 CYCLE _____ PHASE _____
 ENCLOSURE _____
 APPROX. WEIGHT _____
 SPECIALS _____

MATERIALS OF CONSTRUCTION

BRONZE FITTED ALL IRON

FEATURES

- i-ALERT™ Condition Monitor
- ANSI/OSHA Coupling Guard
- Center Drop Out Spacer Coupling
- Fabricated Heavy Duty Baseplate

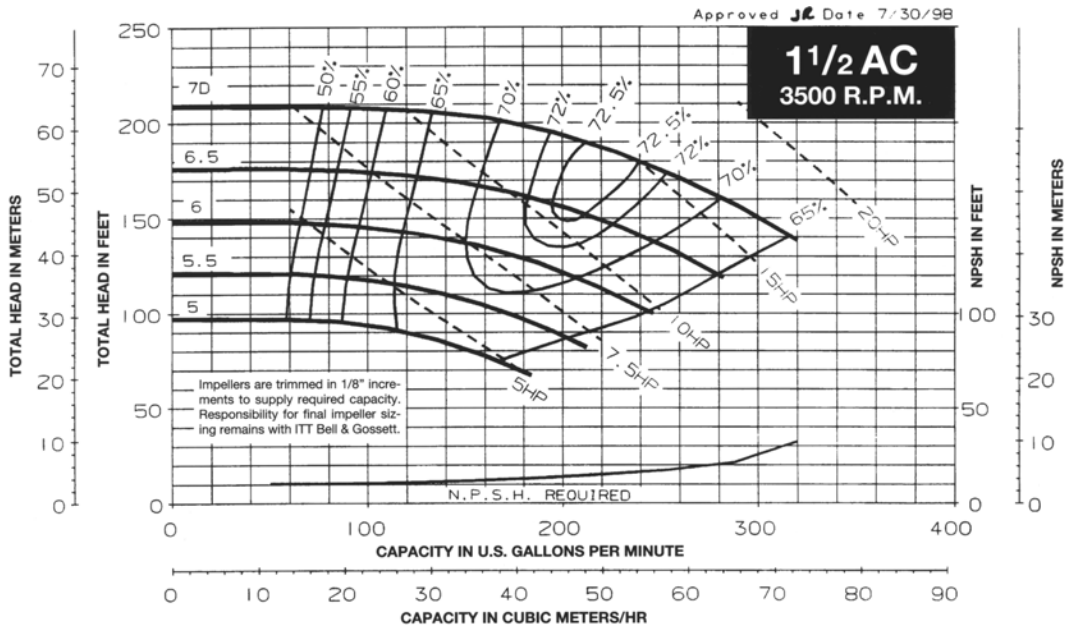
MAXIMUM WORKING PRESSURE

175 psi (12 bar) W.P.

TYPE OF SEAL

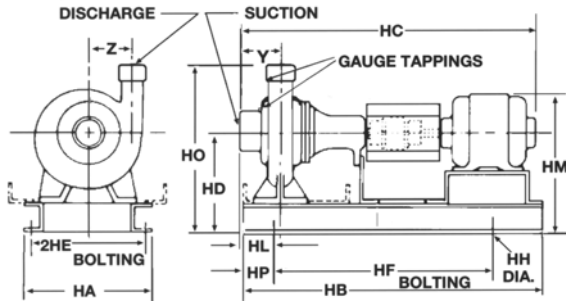
- 1510 Standard Seal (Buna-Carbon/Ceramic)
- 1510 -F Standard Seal w/ Flush Line (Buna-Carbon/Ceramic)
- 1510 -S Stuffing Box construction w/ Flushed Mechanical Single Seal (EPR-Tungsten Carbide/Carbon)
- 1510 -D Stuffing Box construction w/ Flushed Double Mechanical Seal (EPR-Carbon/Ceramic) Requires external water source
- 1510 -PF Stuffing Box Construction w/ Packing (Graphite Impregnated Teflon)

Note: Equipped with NEOPRENE coupling



Series 1510 1-1/2AC Centrifugal Pump Submittal

B-224.1F



NOZZLE SIZES	
Discharge	1-1/2" N.P.T.
Suction	2" N.P.T.

DIMENSIONS - Inches (mm) STANDARD SEAL 1510, 1510-F

MOTOR FRAME	HA	HB	HC MAX	HD	2HE	HF	HH	HL	HM MAX	HO	HP	Y	Z
"S" FRAME													
56	12 (305)	28-3/4 (730)	28-1/4 (718)	9-3/4 (248)	10-1/4 (260)	22-1/2 (572)	3/4 (19)	3-1/16 (78)	13-3/8 (340)	15-3/4 (400)	3 (76)	3-1/8 (79)	4-5/8 (117)
143T	12 (305)	28-3/4 (730)	28-3/8 (721)	9-3/4 (248)	10-1/4 (260)	22-1/2 (572)	3/4 (19)	3-1/16 (78)	13-1/2 (343)	15-3/4 (400)	3 (76)	3-1/8 (79)	4-5/8 (117)
145T	12 (305)	28-3/4 (730)	29-3/8 (746)	9-3/4 (248)	10-1/4 (260)	22-1/2 (572)	3/4 (19)	3-1/16 (78)	13-1/2 (343)	15-3/4 (400)	3 (76)	3-1/8 (79)	4-5/8 (117)
182T	14-5/8 (371)	31 (787)	32-1/8 (816)	9-3/4 (248)	12-7/8 (327)	25 (635)	3/4 (19)	1-11/16 (43)	15 (381)	15-3/4 (400)	3 (76)	3-1/8 (79)	4-5/8 (117)
184T	14-5/8 (371)	31 (787)	32-7/8 (835)	9-3/4 (248)	12-7/8 (327)	25 (635)	3/4 (19)	1-11/16 (43)	15 (381)	15-3/4 (400)	3 (76)	3-1/8 (79)	4-5/8 (117)
213T	14-5/8 (371)	34-5/8 (879)	35-3/8 (899)	9-3/4 (248)	12-7/8 (327)	28-5/8 (727)	3/4 (19)	1-11/16 (43)	15-5/8 (397)	15-3/4 (400)	3 (76)	3-1/8 (79)	4-5/8 (117)
215T	14-5/8 (371)	34-5/8 (879)	36-7/8 (937)	9-3/4 (248)	12-7/8 (327)	28-5/8 (727)	3/4 (19)	1-11/16 (43)	15-5/8 (397)	15-3/4 (400)	3 (76)	3-1/8 (79)	4-5/8 (117)
254T	14-5/8 (371)	39-3/8 (1000)	40-5/8 (1032)	10-3/4 (273)	12-7/8 (327)	33-3/8 (848)	3/4 (19)	1-11/16 (43)	17-5/8 (448)	16-3/4 (425)	3 (76)	3-1/8 (79)	4-5/8 (117)
256T	14-5/8 (371)	39-3/8 (1000)	42-3/8 (1076)	10-3/4 (273)	12-7/8 (327)	33-3/8 (848)	3/4 (19)	1-11/16 (43)	17-5/8 (448)	16-3/4 (425)	3 (76)	3-1/8 (79)	4-5/8 (117)

STUFFING BOX 1510-PF, 1510-S, 1510-D

MOTOR FRAME	HA	HB	HC MAX	HD	2HE	HF	HH	HL	HM MAX	HO	HP	Y	Z
"S" FRAME													
56	14-5/8 (371)	34-5/8 (879)	31-7/8 (810)	9-3/4 (248)	12-7/8 (327)	28-5/8 (727)	3/4 (19)	1-11/16 (43)	13-3/8 (340)	15-3/4 (400)	3 (76)	3-1/8 (79)	4-5/8 (117)
143T	14-5/8 (371)	34-5/8 (879)	32 (813)	9-3/4 (248)	12-7/8 (327)	28-5/8 (727)	3/4 (19)	1-11/16 (43)	13-1/2 (343)	15-3/4 (400)	3 (76)	3-1/8 (79)	4-5/8 (117)
145T	14-5/8 (371)	34-5/8 (879)	33 (838)	9-3/4 (248)	12-7/8 (327)	28-5/8 (727)	3/4 (19)	1-11/16 (43)	13-1/2 (343)	15-3/4 (400)	3 (76)	3-1/8 (79)	4-5/8 (117)
182T	14-5/8 (371)	34-5/8 (879)	35-3/4 (908)	9-3/4 (248)	12-7/8 (327)	28-5/8 (727)	3/4 (19)	1-11/16 (43)	15 (381)	15-3/4 (400)	3 (76)	3-1/8 (79)	4-5/8 (117)
184T	14-5/8 (371)	34-5/8 (879)	36-1/2 (927)	9-3/4 (248)	12-7/8 (327)	28-5/8 (727)	3/4 (19)	1-11/16 (43)	15 (381)	15-3/4 (400)	3 (76)	3-1/8 (79)	4-5/8 (117)
213T	14-5/8 (371)	39-3/8 (1000)	39 (991)	9-3/4 (248)	12-7/8 (327)	33-3/8 (848)	3/4 (19)	1-11/16 (43)	15-5/8 (397)	15-3/4 (400)	3 (76)	3-1/8 (79)	4-5/8 (117)
215T	14-5/8 (371)	39-3/8 (1000)	40-1/2 (1029)	9-3/4 (248)	12-7/8 (327)	33-3/8 (848)	3/4 (19)	1-11/16 (43)	15-5/8 (397)	15-3/4 (400)	3 (76)	3-1/8 (79)	4-5/8 (117)
254T	16 (406)	46-1/2 (1181)	44-1/4 (1124)	12 (305)	14 (356)	36-1/2 (927)	7/8 (22)	2-13/16 (71)	18-7/8 (479)	18 (457)	5 (127)	3-1/8 (79)	4-5/8 (117)
256T	16 (406)	46-1/2 (1181)	46 (1168)	12 (305)	14 (356)	36-1/2 (927)	7/8 (22)	2-13/16 (71)	18-7/8 (479)	18 (457)	5 (127)	3-1/8 (79)	4-5/8 (117)

Dimensions are subject to change. Not to be used for construction purposes unless certified.

Xylem Inc.
8200 N. Austin Avenue
Morton Grove, IL 60053
Phone: (847)966-3700
Fax: (847)965-8379
www.xyleminc.com/brands/bellgossett



Bell & Gossett is a trademark of Xylem Inc. or one of its subsidiaries.
© 2012 Xylem Inc.