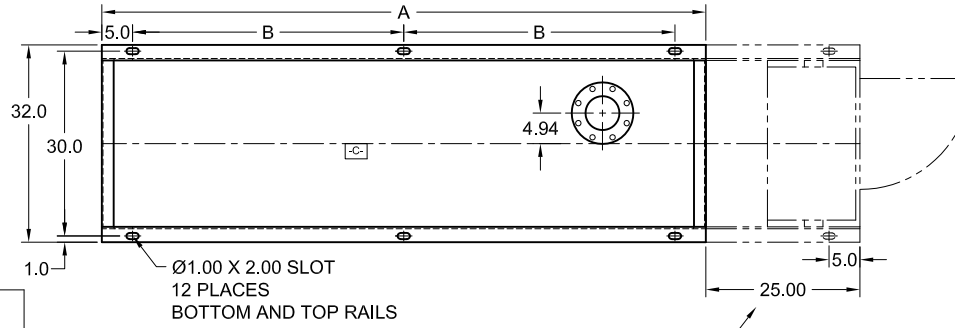


CLARKE FIRE PUMP DRIVERS
EPA NSPS TIER 3 ENGINE MODELS
HSC 8200 SERIES PUMPS



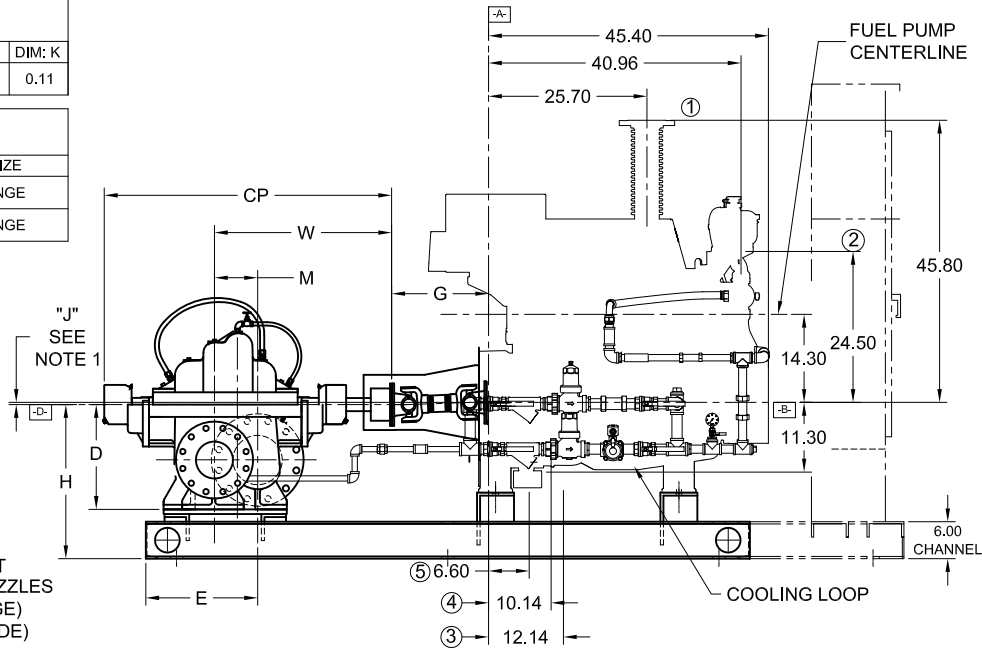
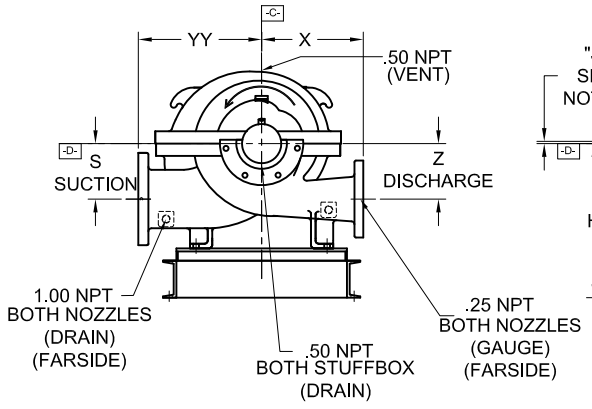
- A- - MOUNTING FACE OF FLYWHEEL
- B- - ENGINE CRANKSHAFT HORIZONTAL CENTERLINE
- C- - ENGINE CRANKSHAFT VERTICAL CENTERLINE
- D- - PUMP SHAFT HORIZONTAL CENTERLINE



UL LISTED DRIVESHAFTS				
ENGINE MODEL	DRIVESHAFT MODEL	DIM: G	DIM: J	DIM: K
JU6H-UFAD58, K0, M8, MG, N0, NG, Q0, R0	CDS30-S1	15.75	0.35	0.10
JU6H-UFAD88, 98, P8, R8, S8, W8, X8	CDS50-SC	20.38	0.45	0.11

NON-LISTED DRIVESHAFTS				
ENGINE MODEL	DRIVESHAFT MODEL	DIM: G	DIM: J	DIM: K
JU6H-UFADP0, S0, T0	CDS50-SC (SC81A) NON LISTED	20.38	0.45	0.11

EXHAUST OUTLET CONNECTION	
ENGINE MODEL	EXHAUST SIZE
JU6H-UFADK0, 58, NG, NO, 88, P8, M8, MG	5" 150# FLANGE
JU6H-UFADQ0, P0, T0, R0, R8, S8, S0, W8, X8, 98	6" 150# FLANGE



ITEM NO.	DESCRIPTION	CONNECTION SIZE
①	EXHAUST OUTLET CONNECTION	SEE EXHAUST LISTING
②	RAW WATER OUTLET	SEE NOTE 6.
③	FUEL SUPPLY CONNECTION	1/2" NPTF
④	FUEL RETURN CONNECTION	3/8" NPTF
⑤	HEATER JUNCTION BOX	VOLTAGE REQUIREMENTS: AC CONNECTION HEATER 1360 WATTS STD- 115 VAC ±5%-10% OPT- 230 VAC ±5%-10%

- NOTES:
1. THE DRIVE SHAFT IS DESIGNED TO OPERATE AT A 2° ANGLE WITH THE INPUT AND OUTPUT SHAFTS IN PARALLEL. THE ENGINE CRANKSHAFT IS TO BE SET WITH A PARALLEL OFFSET OF "J" ± "K" INCHES VERTICALLY ABOVE THE PUMP SHAFT AND 0.00" ± "K" INCH PARALLEL OFFSET HORIZONTALLY RIGHT OR LEFT OF THE PUMP SHAFT. REFER TO THE CERTIFIED DRIVESHAFT INSTRUCTIONS MANUAL FOR ALIGNMENT INSTRUCTIONS.
 2. BASE MUST BE COMPLETELY FILLED WITH GROUT PER NFPA 20.
 3. PUMP IS CW (CLOCKWISE) ROTATION WHEN VIEWED FROM THE COUPLING END.
 4. ALL DIMENSIONS ARE IN INCHES.
 5. SUCTION AND DISCHARGE FLANGES DRILLED PER ANSI B16.1 (IF APPLICABLE).
 6. RAW WATER DRAIN PIPING SIZE VARIES BASED UPON SITE CONDITIONS. ENGINE CONN. SIZE: 1-1/4" NPT.

PUMP TYPE	PUMP SIZE		DIMENSIONS												
	SUCT.	DISCH.	A	B	H	E	M	W	CP	D	YY	X	S	Z	P
8x6x14 F-L	8	6	108	49	24	29.12	7.00	27.88	45.74	17.00	20.00	16.50	9.00	9.00	5.25
8x6x18 F	8	6	108	49	26	29.12	7.00	27.88	45.74	19.00	20.00	16.50	11.00	11.00	5.25

NOT FOR CONSTRUCTION, INSTALLATION OR APPLICATION PURPOSES UNLESS CERTIFIED.

CERTIFIED FOR:							APPROVAL		UL	FM	ULC
CUSTOMER ORDER NO:				IDENTIFICATION NO:							
PUMP DATA	SIZE	MODEL	CURVE NO.	GPM	HEAD (FT.)	ROTATION	SUCTION	DISCHARGE			
	MAKE	MODEL	HP	RPM	VOLTAGE	POLARITY	MAX ALTITUDE				
ENGINE DATA	CLARKE					NEG.					
SHOP ORDER:			CERTIFIED BY:			TOTAL WEIGHT		DATE:			