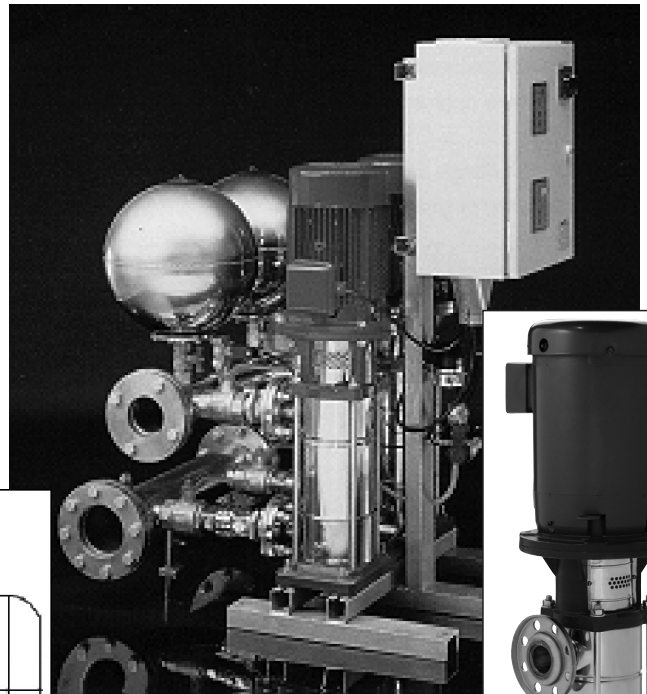


# e-SV Vertical Multistage Configurations

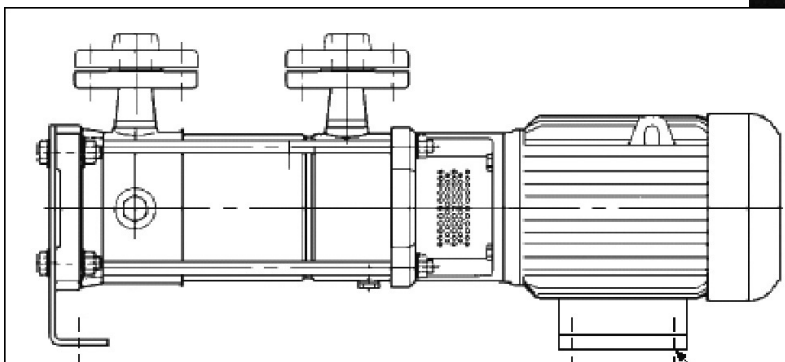


## FEATURES

- Pump footprint optimized -interchangeable with previous generation SSV.
- Varying material offering aligned to application requirements
- Maintenance friendly design, shaft sealing maintainable without pump disassembly or motor removal.
- Accepts standard "TC" Nema motor configurations
- Unique configurations
  - ANSI Flanges Top/Bottom • Horizontal mount with footed motor
- High pressure offering to 40 bar (580 psi)
  - Victaulic connection • ANSI Class 300#
- Standard temperature ranges to 250°F. Optional configuration up to 300°F.
- Secondary material treatment options: Passivation and Electropolishing
- Variable speed adaptable with Hydrovar proven technology.
- Boiler Feed use optimized with low NPSH impeller



## HORIZONTAL MOUNTING



## TECHNICAL INFORMATION

	Pump Configuration						
	G	T	F	R	N	P	C
	Cast Iron / 304SS	304 Oval	304 ANSI	304 ANSI - Top/Bottom	316 ANSI	Victaulic	Clamp
Pump Body	A48 Class 35	AISI 304			AISI 316L		
Pump Base	-	Aluminum - Standard (Stainless Steel - Optional)					
Impeller	AISI 304				AISI 316L		
Diffuser	AISI 304				AISI 316L		
Seal Chamber	AISI 304				AISI 316L		
Shaft	AISI 316						
Pump Bearing	Tungsten Carbide						
Outer Sleeve	AISI 316L						
Connection Type	250# ANSI	NPT	300# ANSI			Victaulic	ISO 2852

33SV, 46SV, 66SV, 92SV, and 125SV	Pump Configuration	
	G	N
	Cast Iron / 304 SS	Cast Stainless / 316 SS
Pump Body	A48 Class 35	Cast 316
Impeller	AISI 316L*	
Diffuser	AISI 316L*	
Seal Chamber	A48 Class 35	Cast 316
Shaft	Duplex SS	
Pump Bearing	Tungsten Carbide	
Outer Sleeve	AISI 316L	
Connection Type	125# / 250# ANSI	150# / 300# ANSI

\* 125SV - Cast 316SS Impellers and Diffusers



For more information, visit us at:  
[www.xylem.com/brands/gouldswatertechnology](http://www.xylem.com/brands/gouldswatertechnology)

**Xylem Inc.**  
[www.xylem.com](http://www.xylem.com)

**xylem**  
 Let's Solve Water