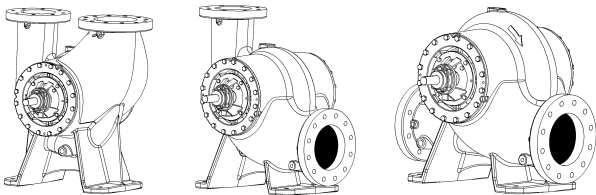


JOB:	REPRESENTATIVE:
UNIT TAG:	ORDER NO.
ENGINEER:	SUBMITTED BY:
CONTRACTOR:	APPROVED BY:
	DATE:
	DATE:
	DATE:

VSX

Double Suction Split Case Pump



SPECIFICATIONS

FLOW _____ HEAD _____

HP _____ RPM _____

VOLTS _____

CYCLE _____ PHASE _____

ENCLOSURE _____

APPROX. WEIGHT _____

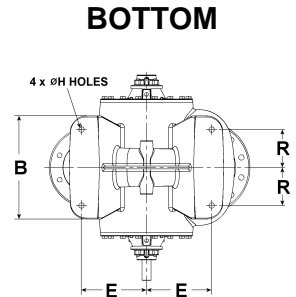
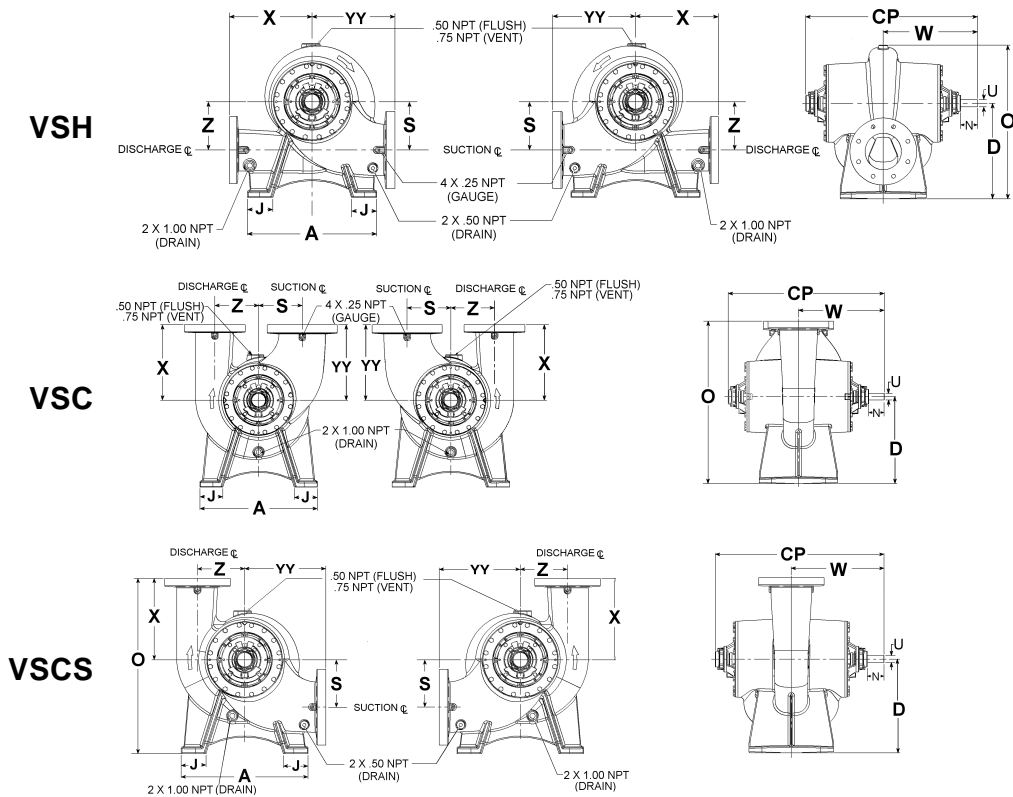
SPECIALS _____

STANDARD MATERIALS OF CONSTRUCTION

- Cast Iron Bronze Fitted
- Heavy Duty Maintenance Free Bearings
- ISO 1940-1:2003 Impeller Balance

TYPE OF SEAL AND WORKING PRESSURE

- Standard:** 175* PSIG (12 BAR) max. working pressure, flat face flanges, 125# ANSI flange drilling, Unitized mechanical seal, EPR/Carbon/Silicon Carbide, * suction pressure, 0 to 300°F (-18 to 149°C)
 - Optional:** 300 PSIG (20 BAR) max. working pressure, flat face flanges, 250# ANSI flange drilling, Unitized mechanical seal, EPR/Carbon/Silicon Carbide, * suction pressure, 0 to 300°F (-18 to 149°C)
 - Optional:** 300 PSIG (20 BAR) max. working pressure, flat face flanges, 250# ANSI flange drilling, balanced mechanical seal, EPR/Carphite loaded Silicon Carbide on Graphite loaded Silicon Carbide, 300 PSIG (20 BAR) max. suction pressure, 0 to 300°F (-18 to 149°C)
- * Consult pump size submittal or Technical Bulletin B-476 for specific suction pressure capabilities.



DIMENSIONS - Inches (mm)

PUMP SIZE	DISCH	SUCT	A	B	CP	D	E	H	J	N	O (VSH)	O (VSC)	O (VSCS)	R	S & Z	U	W	X & YY
4x6x10½	4 (102)	6 (152)	19 (483)	14.5 (368)	29.41 (747)	14 (356)	8 (203)	0.75 (19)	5.5 (140)	3.375 (86)	22.58 (574)	26 (660)	26 (660)	5.625 (143)	7.75 (197)	1.375 (35)	16.40 (416)	12 (305)
5x6x10½	5 (127)	6 (152)	22 (559)	14 (356)	32.24 (819)	14 (356)	9 (229)	0.75 (19)	5.2 (132)	3.375 (86)	22.75 (578)	27.75 (705)	27.75 (705)	5.625 (143)	7.025 (178)	1.375 (35)	17.81 (452)	13.75 (349)
5x6x13½	5 (127)	6 (152)	22 (559)	16 (406)	34.48 (876)	15.5 (394)	9 (229)	0.875 (22)	5.2 (132)	3.375 (86)	26 (660)	32.5 (826)	32.5 (826)	5.625 (143)	8.975 (228)	1.375 (35)	18.93 (481)	17 (432)
6x8x10½	6 (152)	8 (203)	22 (559)	14.5 (368)	34.48 (876)	16.75 (425)	9 (229)	0.875 (22)	5.2 (132)	3.375 (86)	26.75 (679)	31 (787)	31 (787)	5.625 (143)	8.65 (220)	1.375 (35)	18.93 (481)	14.25 (362)
6x8x13½	6 (152)	8 (203)	22 (559)	14.5 (368)	34.48 (876)	18 (457)	9 (229)	0.875 (22)	5.2 (132)	3.375 (86)	29 (737)	35 (889)	35 (889)	5.625 (143)	9.21 (234)	1.375 (35)	18.93 (481)	17 (432)
8x10x10½	8 (203)	10 (254)	22 (559)	14.5 (368)	34.48 (876)	18 (457)	9 (229)	0.875 (22)	5.2 (132)	3.375 (86)	28.625 (727)	33.5 (851)	33.5 (851)	5.625 (143)	8.97 (228)	1.375 (35)	18.93 (481)	15.5 (394)
10x12x10½	10 (254)	12 (305)	28.5 (724)	19 (483)	37.9 (963)	21 (533)	12 (305)	1 (25)	5.5 (140)	3.75 (95)	32.5 (826)	40 (1016)	40 (1016)	7 (178)	9.82 (249)	1.625 (41)	20.82 (529)	19 (483)
8x10x13½	8 (203)	10 (254)	28.5 (724)	19 (483)	37.9 (963)	21 (533)	12 (305)	1 (25)	5.5 (140)	3.75 (95)	33.75 (857)	39.25 (997)	39.25 (997)	7 (178)	10.6 (269)	1.625 (41)	20.82 (529)	18.25 (464)
10x12x13½	10 (254)	12 (305)	28.5 (724)	19 (483)	37.9 (963)	22.5 (572)	12 (305)	1 (25)	5.5 (140)	3.75 (95)	35.75 (908)	42 (1067)	42 (1067)	7 (178)	11.375 (289)	1.625 (41)	20.82 (529)	19.5 (495)
12x14x13½	12 (254)	14 (305)	36 (914)	27.5 (699)	47.01 (1194)	24.5 (622)	16 (406)	1.125 (29)	5.5 (140)	5 (127)	38.50 (978)	47 (1194)	47 (1194)	12 (305)	12 (305)	2.125 (54)	26.01 (661)	22.5 (572)
14x16x13½	14 (356)	16 (406)	36 (914)	27.5 (699)	49.91 (1268)	26 (660)	16 (406)	1.125 (29)	5.5 (140)	5 (127)	41 (1041)	50 (1270)	50 (1270)	12 (305)	12.69 (322)	2.125 (54)	27.45 (697)	24 (610)
12x14x17½	12 (305)	14 (356)	36 (914)	27.5 (699)	50.25 (1276)	26 (660)	16 (406)	1.125 (29)	5.25 (133)	5 (127)	42.5 (1080)	50 (1270)	50 (1270)	12 (305)	14.4 (366)	2.5 (64)	27.63 (702)	24 (610)

Xylem Inc.
 8200 N. Austin Avenue
 Morton Grove, IL 60053
 Phone: (847)966-3700
 Fax: (847)965-8379
 www.bellgossett.com

