

Laing Thermotech Series E1 and E3 Brass AC Electronically Commutated Spherical Motor Centrifugal Pumps



Applications

Specifically designed for the following uses:

- Hot Water Circulation
- Fan Coil Heating
- Solar Heating
- Radiant Heating Systems
- Potable Water Applications

Specifications

Pump:

- Max Capacities: 6 GPM
- Max Head: 10'
- Pipe Connections:
1/2" FPT and 1/2" Sweat Suction and Discharge
- Maximum Working Pressure: 145 PSI
- Maximum Temperature: 203° F
- Rotation: counter clockwise when viewed from the motor end

Motor:

- Canned Spherical Motor Type
- Voltage 115 or 230 Volt 50/60 Hz Cycle
- 12-28 Watts
- Automatic Overload Protection
- Low In-Rush Current

Features

Compact Design:

Close coupled, space saving design provides easy installation.

Mounting:

Pump can be mounted horizontally or vertically with motor end down.

Construction:

Wetted parts are brass, 316SS, thermoplastic, carbon and ceramic for corrosion resistance.

Ceramic Bearing Ball and Carbon Bearing Cap:

High density ceramic bearing ball and graphite impeller bearing cap designed for high efficiency and long life.

Impeller:

Highly efficient and dynamically balanced with carbon bearing for smooth ultra quiet operation.

Casing:

Casing is lead free brass construction.

Mechanical Seal:

Unique patented design has no mechanical seal which is a potential leak path.

Motor:

Highly efficient and ultra quiet spherical motor design. Pump is designed for continuous operation. All ratings are within working limits of the motor.

Electronics:

Embedded microprocessor control is self-regulating and available with variable speed dial control (potentiometer) on the pump or as an optional PWM input for OEM.

Noise level:

Whisper quiet, less than 40 db.

Weight:

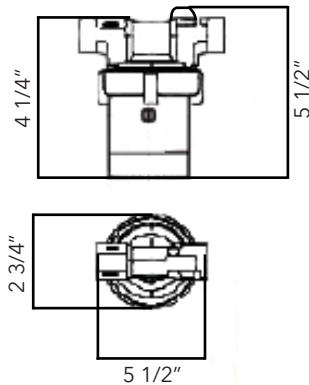
Lightweight construction weighs less than 3lbs.

Laing Thermotech Series E1 and E3 Brass Specifications

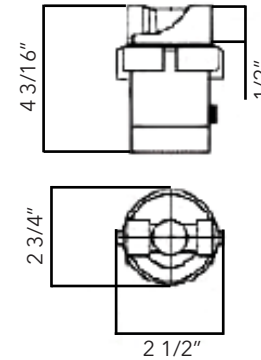
Materials of Construction (Wetted Parts)

Part	Materials
Pump Housing	Brass
"O" Ring	EPDM or Viton
Impeller	Polyphenylene Oxide (PPO)
Bearing	Carbon/Aluminum Ceramic
All Other Wetted Parts	316 Stainless Steel

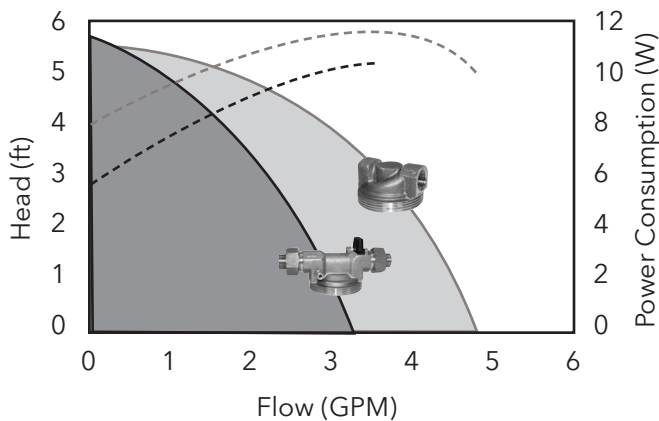
UltraCirc Pump Housing
(Union with Ball Valve & Check Valve)



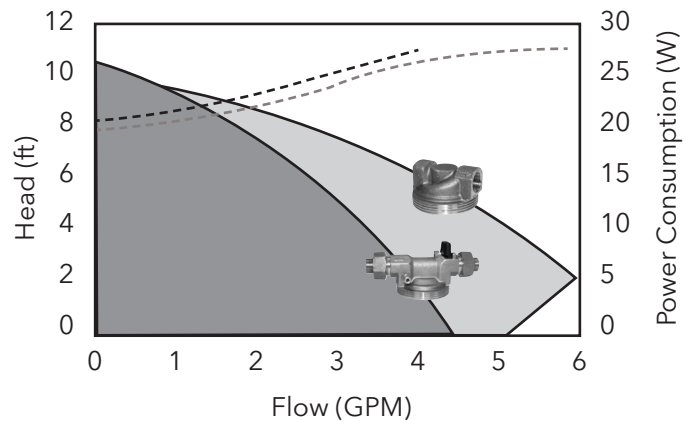
Standard Pump Housing
(Sweat & Threaded)



E1 Pump Curves



E3 Pump Curves



— UltraCirc Housing Flow - - - - UltraCirc Housing Energy Consumption
 — NPT/Sweat Housing Flow - - - - NPT/Sweat Housing Energy Consumption



Xylem Inc.
 3878 S. Willow, Suite 104
 Fresno, CA 93725
 Tel: (559) 265-4730 (800) 554-6853
 Fax: (559) 265-4740 (800) 453-7523
www.Laing-thermotech.com

Goulds is a registered trademark of Goulds Pumps, Inc. and is used under license.
 © 2016 Xylem Inc. SS-02R2 June 2016