

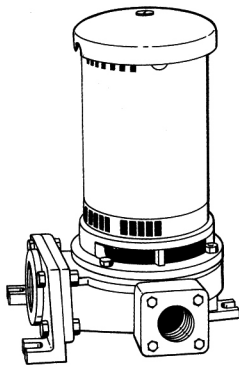


Bell & Gossett
a xylem brand

SUBMITTAL

S412B

JOB	B & G REPRESENTATIVE	
UNIT TAG NO.	ORDER NO.	DATE
ENGINEER	SUBMITTED BY	DATE
CONTRACTOR	APPROVED BY	DATE



Domestic® Pump Centriflo® Series C35™ and C17™, Style PVF Centrifugal Pumps

SPECIFICATIONS

MATERIALS OF CONSTRUCTION

Bronze Fitted Pump with Bronze Wear Ring
Stainless Steel Motor Shaft

MECHANICAL SEAL

Carbon/Ceramic Faces
Temperature Range:
-20°F to +250°F (-29°C to +121°C)
PH Limits: 7-9
 Buna N Elastomers (Standard)
 Viton Elastomers (Optional)

CONDITIONS

_____ GPM _____ FT.

ELECTRICAL DATA _____ HP

_____ VOLTS _____ CY _____ PH

MOTOR ENCLOSURE

- ODP
- TEFC
- EXPLOSION PROOF

APPROXIMATE WEIGHT _____ LBS

APPROXIMATE MOTOR DIMENSIONS IN INCHES (MM)

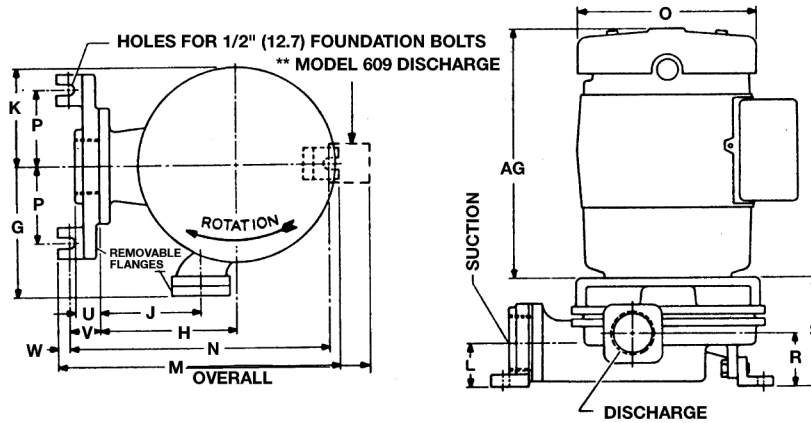
3500 RPM

ODP Motor HP	1/3	1/2-1	1-2	1 1/2-2	2-3	5	7 1/2	10	15	—
TEFC Motor HP	—	—	1/3-1 1/2	1-1 1/2	2	3	5	7 1/2	10	15
Dimension O	5 3/4 (146.1)	6 3/4 (171.5)	6 3/4 (171.5)	7 3/8 (187.3)	7 3/8 (187.3)	10 3/8 (263.3)	10 3/8 (263.3)	11 1/2 (292.1)	11 1/2 (292.1)	13 1/4 (336.6)
Dimension AG	8 1/2 (215.9)	9 1/2 (241.3)	11 (279.4)	11 (279.4)	12 (304.8)	12 1/2 (317.5)	14 (355.6)	17 (431.8)	17 (431.8)	20 (508)

1750 RPM

ODP & TEFC Motor HP	—	—	1/3-1	1	1-2	2-3	5	7 1/2	10	15
Dimension O	—	—	6 3/4 (171.5)	7 3/8 (187.3)	7 3/8 (187.3)	10 3/8 (263.3)	10 3/8 (263.3)	11 1/2 (292.1)	11 1/2 (292.1)	13 1/4 (336.6)
Dimension AG	—	—	11 (279.4)	11 (279.4)	12 (304.8)	12 1/2 (317.5)	14 (355.6)	17 (431.8)	17 (431.8)	20 (508)

Style PVF – Foot Mounted



PUMP DIMENSIONS IN INCHES (MM)

PUMP MODEL	HP	SUCTION PIPE SIZE	DISCH. PIPE SIZE	G	H	J	K	L	M	N	P	R	U	V	W	S
SERIES C35™ — 3500 RPM CENTRIFUGAL PUMPS																
609	1/3-3/4	1 1/2 (38.1)	3/4* (19.1)	—	4 1/16 (103)	—	3/8 (79.4)	2 1/4 (57.2)	10 1/2 (266.7)	9 9/16 (236.5)	3 15/16 (100)	2 7/8 (54)				4 7/8 (117.5)
613	5	2 1/2 (63.5)	2 (50.8)	7 1/2 (190.5)	5 1/4 (133.4)	4 3/4 (120.7)	4 7/8 (104.8)		12 7/8 (308)	10 13/16 (274.6)		2 7/8 (73)				6 1/2 (165.1)
614	5	4 (101.6)	2 1/2 (63.5)	6 3/4 (171.5)	6 3/4 (171.5)	10 1/4 (260.4)	4 5/8 (117.5)	3 1/4 (82.6)	18 7/16 (468.3)	15 5/8 (403.2)	4 11/16 (119.1)	3 7/16 (87.3)				13 1/8 (333.8)
616	1/3-2	2 (50.8)	1 1/2* (38.1)	6 (152.4)	5 1/4 (133.4)		4 (101.6)	2 1/4 (57.2)	12 7/8 (308)	10 13/16 (274.6)	3 15/16 (100)	2 7/8 (60.3)	1 1/8 (28.6)	1 9/16 (39.7)		5 1/4 (133.4)
617	3/4-3															
618	5-15	3 (76.2)	2 (50.8)		5 3/4 (146.1)		5 (127)	2 3/4 (69.9)	13 13/16 (350.8)	12 9/16 (319.1)	3 5/16 (100)	3 3/8 (85.7)				7 7/8 (193.7)
620	1 1/2-7 1/2	2 1/2 (63.5)	1 1/2† (38.1)			4 3/4 (120.7)		2 1/4 (57.2)				2 7/8 (73)				8 7/8 (206.4)
625	3/4-5	3 (76.2)		7 7/8 (193.7)			4 7/8 (111.1)	2 3/4 (69.9)	13 3/8 (346.1)	11 3/8 (289)	4 11/16 (119.1)	3 5/8 (85.7)	3 (76.2)	1 11/16 (42.9)		6 1/4 (158.8)
626	3/4-3	2 1/2 (63.5)	2 (50.8)		5 1/4 (133.4)		4 (101.6)	2 1/4 (57.2)	12 7/8 (308)	10 13/16 (274.6)	3 15/16 (100)	2 7/8 (73)	1 1/8 (28.6)	1 9/16 (39.7)		5 5/8 (142.9)
627	3															
SERIES C17™ — 1750 RPM CENTRIFUGAL PUMPS																
650	1/3-1	2 1/2 (63.5)	1 1/2 (38.1)	7 7/8 (193.7)	5 3/4 (146.1)	4 3/4 (120.7)	5 (127)	2 1/4 (57.2)	13 13/16 (350.9)	12 9/16 (319.1)	3 15/16 (100)	2 7/8 (73)	1 1/8 (28.6)	1 9/16 (39.7)		8 (203.2)
651	1 1/2-2		2 (50.8)													
654	1 1/2-5	4 (101.6)	3 (76.2)	11 1/4 (285.8)	8 (203.2)	12 3/4 (323.9)	5 5/8 (136.5)	2 3/4 (69.9)	18 7/16 (468.3)	15 5/8 (403.2)	4 11/16 (119.1)	3 3/8 (85.7)	3 3/8 (85.7)	1 11/16 (42.9)	5/8 (15.9)	8 7/8 (219.1)
659	3-15	4 (101.6)	3 (76.2)	11 1/4 (285.8)	8 1/2 (215.9)	12 3/4 (323.9)	6 3/4 (171.5)	2 3/4 (69.9)	19 1/2 (495.3)	15 11/16 (398.5)	4 11/16 (119.1)	3 3/8 (85.7)	3 3/8 (85.7)	1 11/16 (42.9)		7 7/8 (200)
673	3/4-5	2 1/2 (63.5)	2 (50.8)	7 7/8 (193.7)	7 (177.8)	4 3/4 (120.7)		2 1/4 (57.2)	15 1/16 (382.6)	13 9/16 (350.9)	3 15/16 (100)	2 7/8 (73)	1 1/8 (28.6)	1 9/16 (39.7)		8 7/8 (206.4)

*Pipe Tap — Companion Flange Not Furnished. All other discharge and suction connections flanged with companion flanges.
 Model 609 has suction foot only, no discharge end foot.
 Models 609, 616 and 617 available from stock for some conditions, see performance curves.

† 1 1/2" Discharge for below 60 GPM. 2" Discharge for 60 GPM and above.



Xylem Inc.
 8200 N. Austin Avenue
 Morton Grove, Illinois 60053
 Phone: (847) 966-3700
 Fax: (847) 965-8379
 www.bellgossett.com