

MAIN RELIEF VALVE

PILOT CONTROLLED

Sizes *Angle* 2" - 8" flanged

End Details 150 and 300 ANSI B16.42

Pressure Ratings class - 175 psi Max.
class - 300 psi Max

Water, to 180°F Max.

Materials *Main Valve Body & Cover*

Ductile Iron ASTM A-536

Naval Bronze ASTM B61

Other Material Available

Standard Main Valve Trim:

Bronze Seat, Teflon Coated

Stainless Steel Stem, Delrin Sleeved

Standard Pilot Control System:

Cast Bronze with

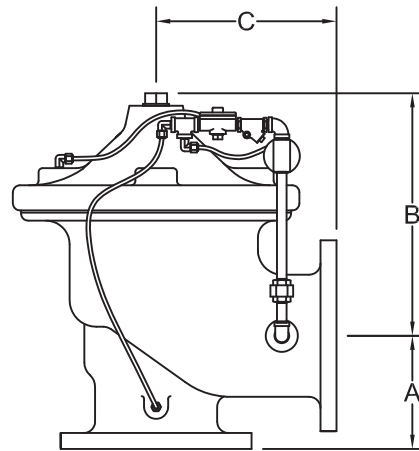
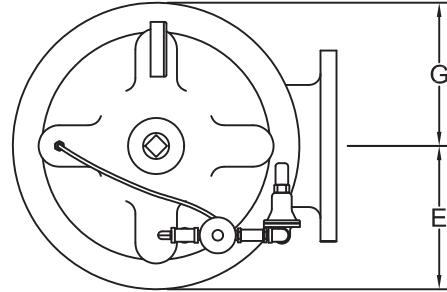
Stainless Steel trim

Adjustment Range Available in the following relief pressure ranges:

20-200 psi (150 Class)

100-300 psi (300 Class)

UL Listed / FM Approved (Sizes 3" - 8")



	2"	2-1/2"	3	4	6	8
WEIGHT (lbs)	50	50	80	130	210	270

		VALVE SIZE (INCHES)					
		2	2 1/2	3	4	6	8
THREADED	A	3.250 (82.55)	4.000 (101.6)				
150# FLANGED		3.250 (82.55)	4.000 (101.6)	4.000 (101.6)	5.000 (127)	6.000 (152.4)	8.000 (203.2)
300# FLANGED		3.500 (88.9)	4.310 (109.474)	4.380 (111.252)	5.310 (134.874)	6.500 (165.1)	8.500 (215.9)
	B	12.000 (304.8)	12.250 (311.15)	12.500 (317.5)	13.000 (330.2)	14.310 (363.474)	16.310 (414.274)
THREADED	C	4.750 (120.65)	5.500 (139.7)				
150# FLANGED		4.750 (120.65)	5.500 (139.7)	6.000 (152.4)	7.500 (190.5)	10.000 (254)	12.750 (323.85)
300# FLANGED		5.000 (127)	5.880 (149.352)	6.380 (162.052)	7.880 (200.152)	10.500 (266.7)	13.250 (336.55)
	E	6.000 (152.4)	6.690 (169.926)	7.750 (196.85)	7.880 (200.152)	8.500 (215.9)	9.750 (247.65)
	G	3.310 (84.074)	4.000 (101.6)	4.560 (115.824)	5.750 (146.05)	7.880 (200.152)	10.000 (254)

NOT FOR CONSTRUCTION, INSTALLATION OR APPLICATION PURPOSES UNLESS CERTIFIED		
CERTIFIED FOR:		
CUSTOMER ORDER NO.:	TAG NO.	
SHOP ORDER:	CERTIFIED BY:	DATE: