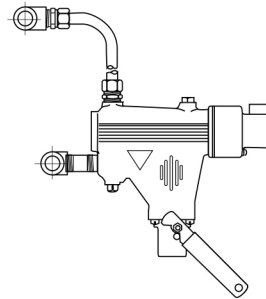
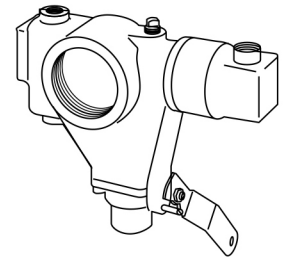




Series 67 and 767 Low Water Cut-Offs For Steam Boilers



Series 67



Series 767



Applications:

For residential and commercial boilers of any steaming capacity.

WARNING

	<ul style="list-style-type: none"> • Before using this product read and understand instructions. • Save these instructions for future reference. • All work must be performed by qualified personnel trained in the proper application, installation, and maintenance of plumbing, steam, and electrical and/or systems in accordance with all applicable codes and ordinances.
	<ul style="list-style-type: none"> • To prevent electrical shock, turn off the electrical power before making electrical connections. • This low water cut-off must be installed in series with all other limit and operating controls installed on the boiler. After installation, check for proper operation of all of the limit and operating controls, before leaving the site.
	<ul style="list-style-type: none"> • We recommend that secondary (redundant) Low Water Cut-Off controls be installed on all steam boilers with heat input greater than 400,000 BTU/hour or operating above 15 psi of steam pressure. At least two controls should be connected in series with the burner control circuit to provide safety redundancy protection should the boiler experience a low water condition. Moreover, at each annual outage, the low water cut-offs should be dismantled, inspected, cleaned, and checked for proper calibration and performance.
	<ul style="list-style-type: none"> • To prevent serious personal injury from steam and hot water make sure there is a discharge line from the blow down valve to a proper place of disposal. • To prevent a fire, do not use this low water cut-off to switch currents over 7.4A, 1/3 Hp at 120 VAC or 3.7A, 1/3 Hp at 240 VAC, unless a starter or relay is used in conjunction with it. • This product can expose you to chemicals including Lead, which is known to the State of California to cause cancer and birth defects or other reproductive harm. For more information go to: www.P65Warnings.ca.gov.
	<ul style="list-style-type: none"> • Previous controls should never be installed on a new system. Always install new controls on a new boiler or system.
	<p>Failure to follow this warning could cause property damage, personal injury or death.</p> <p>CAUTION:</p> <ul style="list-style-type: none"> • A more frequent replacement interval may be necessary based on the condition of the unit at time of inspection. McDonnell & Miller's warranty is one (1) year from date of installation or two (2) years from the date of manufacture.

OPERATION

Maximum Steam Pressure: 20 psi (1.4 kg/cm²)

Electrical Ratings

Voltage	Pump Circuit Rating (Amperes)		Pilot Duty
	Full Load	Locked Rotor	
120 VAC	7.4	44.4	125 VA at
240 VAC	3.7	22.2	120 or 240 VAC

Note: 11 MV is rated at 24 VA @ 24 VAC to 120 VAC

The Series 67 and Series 767 low water cut-offs are float-type boiler controls designed to interrupt current to the burner whenever the water drops to the cut-off level.

The Series 767 is identical to Series 67 in all respects except one. The Series 767 is equipped with

a 2-1/2" (63.5mm) pipe tap opening in the body, and does not require the quick hook-up fittings supplied with the Series 67. The pipe tapping allows for a direct connection to the side of the boiler.

INSTALLATION –

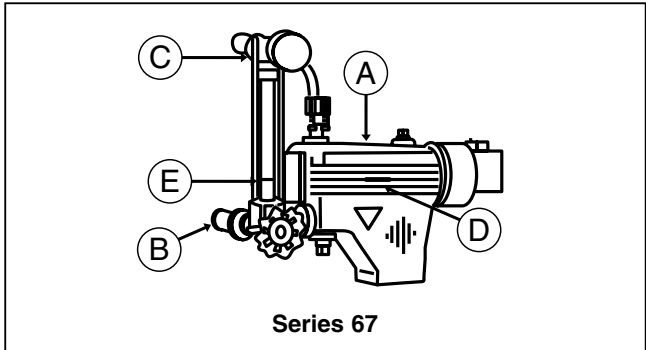
TOOLS NEEDED:

One (1) tube cutter, one (1) pencil, one (1) flathead screwdriver, one (1) adjustable wrench and two (2) pipe wrenches.

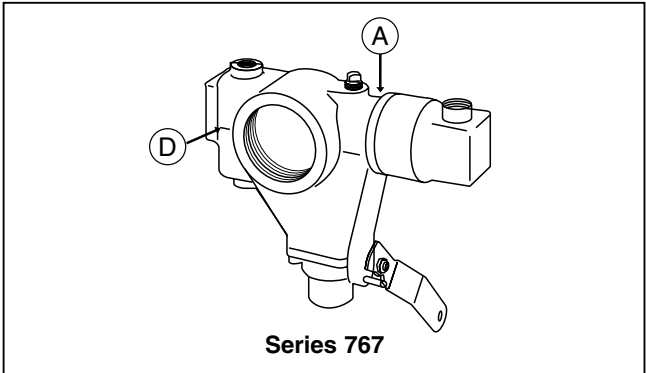
IMPORTANT: Follow the boiler manufacturer's instructions along with all applicable codes and ordinances for piping, blow down valve and water gauge glass installation.

STEP 1 - Determine the Elevation at Which the Low Water Cut-Off Controller Must be Installed

For Series 67 - The elevation of the control (A) is already determined by the location of the gauge glass tapplings (B,C) on the boiler. The horizontal cast line (D) should be located at or above the boiler manufacturer's minimum safe water level (E).

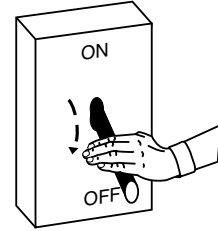


For Series 767 - The elevation of the control (A) is already determined by the location of the 2-1/2" (63.5mm) pipe tapping on the boiler. The horizontal cast line (D) of the body (A) should be located at or above the boiler manufacturer's minimum safe water level.

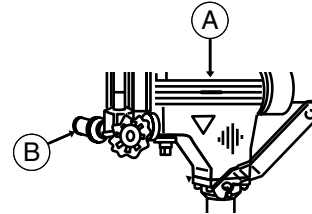


STEP 2 - Preparation

- a. Turn the boiler off.



- b. Drain the water in the boiler to a level which is below the lower gauge glass tapping (B) of the control body (A). Allow the boiler to cool to 80°F (27°C) and allow the pressure to release to 0 psi (0 bar).



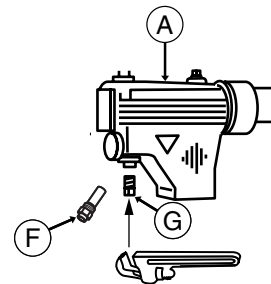
CAUTION



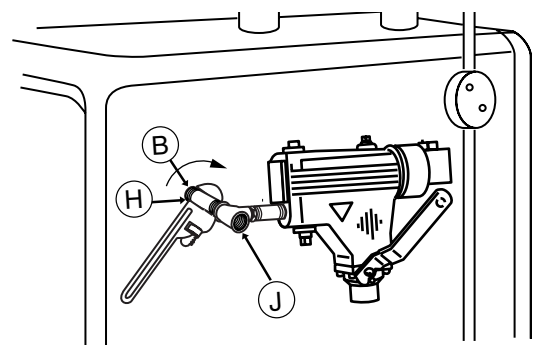
When using the tape sealant on the external threads of pipes or fittings, follow the manufacturer's instructions. Use sparingly and do not place on the first thread.

STEP 3 - Installing the New Low Water Cut-Off

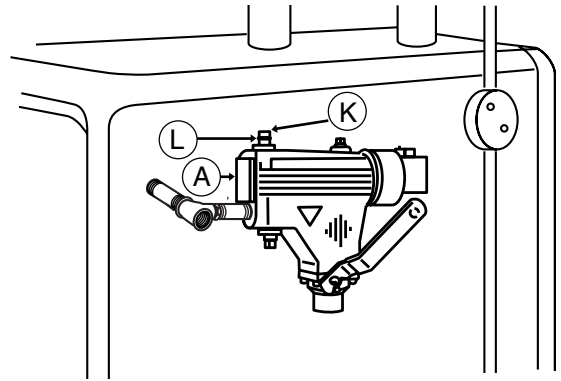
- a. Using a pipe wrench, remove the float blocking tube (F) from the new control and tighten a 1/2" (13mm) NPT pipe plug (G) (provided) into the tapping on the bottom of the control body (A). Tighten the pipe plug to 31 ft•lb (42 N•m).



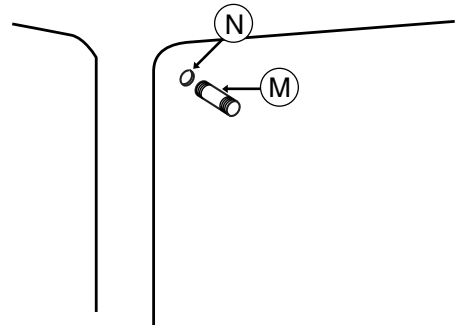
- b. Using a pipe wrench, install a 1/2" (13mm) nipple (H) into the lower gauge glass tapping (B) and pipe tee assembly (J). Tighten both connections to 31 ft•lb (42 N•m).



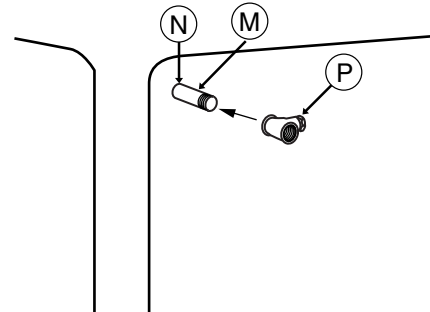
- c. Using an adjustable wrench, install a $\frac{3}{8}$ " (9.5mm) NPT compression fitting base (K) to the upper tapping (L) in the control (A). Tighten to 31 ft•lb (42 N•m).



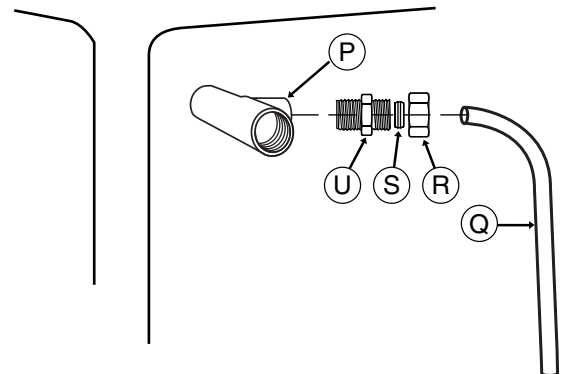
- d. Using a pipe wrench, install a $\frac{1}{2}$ " (13mm) nipple (M) into the upper tapping (N). Tighten to 31 ft•lb (42 N•m).



- e. Using a pipe wrench, install the pipe tee (P) onto the nipple (M) in the upper tapping (N). Tighten to 31 ft•lb (42 N•m).



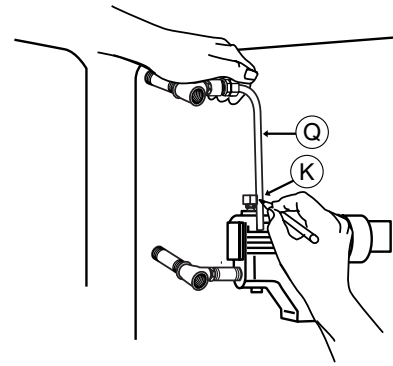
- f. Using an adjustable wrench, install $\frac{1}{2}$ (13mm) NPT compression fitting base (U) into the upper tee (P). Tighten to 31 ft•lb (42 N•m). Place the compression nut (R) and compression ring (S) over the top of tubing (Q). Insert tubing (Q) into compression base (U). Turn compression nut (R) hand tight. DO NOT TIGHTEN.



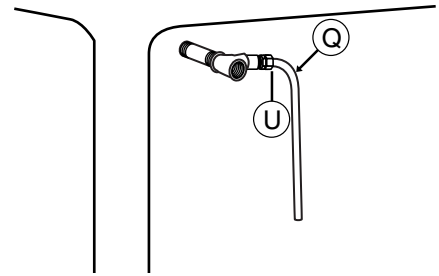
IMPORTANT: Do not use tape or pipe sealant on the compression fittings.

- g.** Position the tubing (Q) next to the compression fitting (K) and, using a pencil, mark the tubing (Q) for proper insertion into the compression fitting (K).

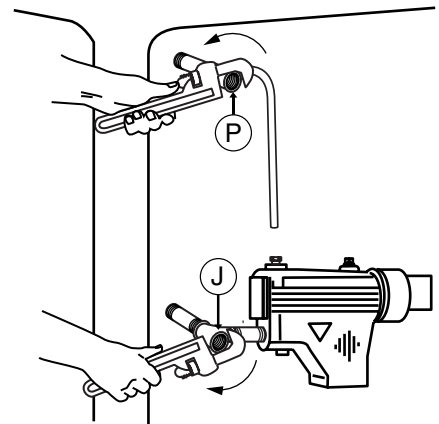
Remove the tubing (Q), and, using the tube cutter, cut the tubing to its proper length.



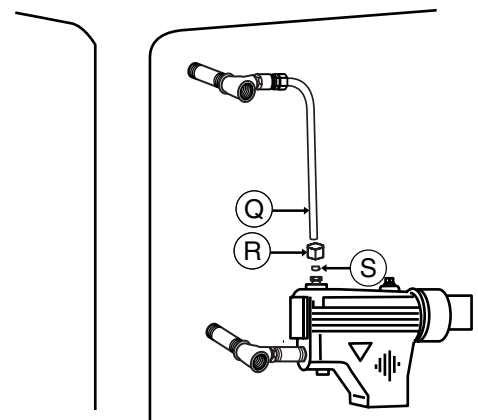
- h.** Insert the tubing (Q) into the upper compression fitting (U) and tighten the fitting to 31 ft•lb (42 N•m).



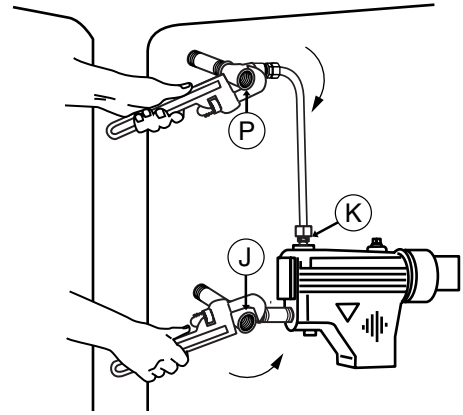
- i.** Using two (2) pipe wrenches, rotate the upper tee (P) counterclockwise and the lower tee (J) clockwise.



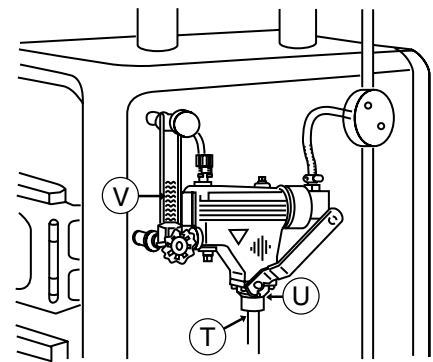
- j.** Place the compression nut (R) and the compression ring (S) over the bottom of the tubing (Q).



k. Using two (2) pipe wrenches, rotate the upper tee (P) clockwise and the lower tee (J) counter-clockwise so that the end of the tube can be inserted into the lower compression fitting (K). NOTE: Make sure that the control is in a horizontal position. Using an adjustable wrench, tighten the lower compression fitting (K) to 31 ft•lb (42 N•m).



l. Using a pipe wrench, install a 3/4" (19mm) NPT pipe (T) into the opening of the blow down valve (U) and tighten to 47 ft•lb (64 N•m).

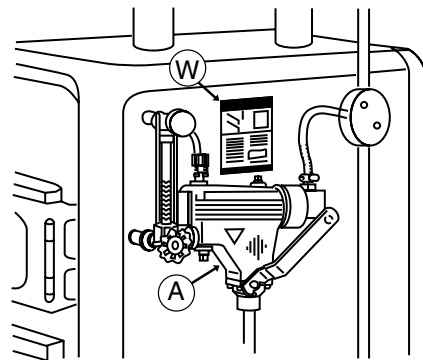


CAUTION



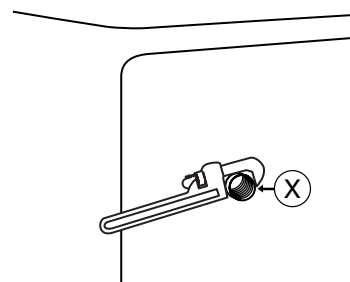
To prevent burning or scalding, pipe blow-off discharge from blow-down valve to floor – allowing enough height for a pail under discharge pipe to collect blow down discharge. This pipe must be same 3/4" size as blow-down connection; do not reduce. Do not thread end of pipe.

m. Hang the blow down card (W) (enclosed) as close to the control (A) as possible, or remove the protective backing and affix the card on the boiler jacket close to the control.

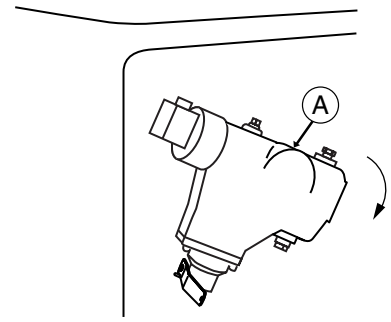


For Series 767

a. Using a pipe wrench, install a 2 1/2" (63.5mm) nipple (X) into the side of the boiler. Tighten to 109 ft•lb (148 N•m).



- b. Install the control (A) by rotating it onto the 2½" (63.5mm) nipple (X, as shown in Step a on previous page). Tighten to 109 ft•lb (148 N•m).

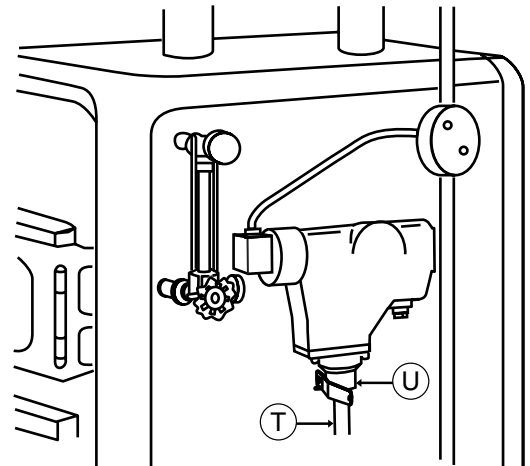


- c. Using a pipe wrench, install a ¾" (19mm) NPT pipe (T) into the opening of the blow down valve (U) and tighten to 47 ft•lb (64 N•m).

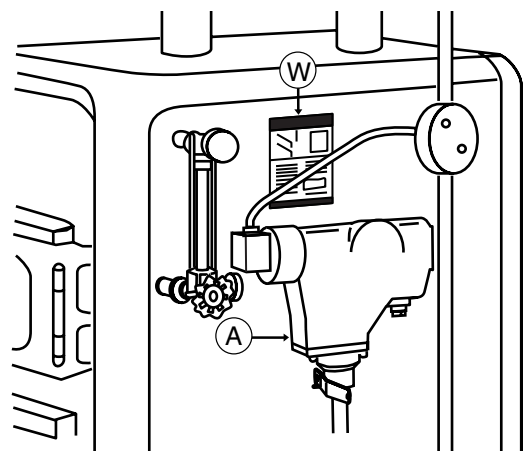
CAUTION



To prevent burning or scalding, pipe blow-off discharge from blow-down valve to floor – allowing enough height for a pail under discharge pipe to collect blow down discharge. This pipe must be same ¾" size as blow-down connection; do not reduce. Do not thread end of pipe.



- d. Hang a blow down card (W) (enclosed) as close to the control (A) as possible, or remove the protective backing and affix the card on the boiler jacket close to the control.



STEP 4 - Electrical Wiring

Directory: 67 Low Water Cut-Off and Uni-Match Water Feeder page 8 - 9

67 Low Water Cut-Off and 101 Water Feeder page 10 - 11

For 67 Low Water Cut-Off Installed with McDonnell & Miller Uni-Match Water-Feeder

WARNING

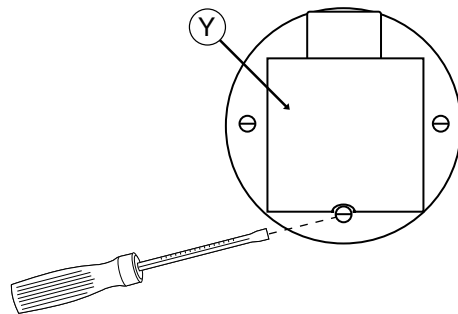


- To prevent electrical shock, turn off the electrical power before making electrical connections.
- This low water cut-off must be installed in series with all other limit and operating controls installed on the boiler. After installation, check for proper operation of all of the limit and operating controls, before leaving the site.

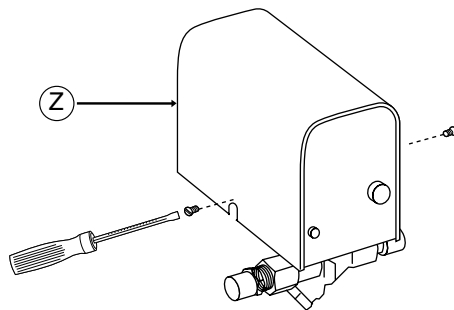


Failure to follow this warning could cause electrical shock, an explosion and/or a fire, which could result in property damage, personal injury or death.

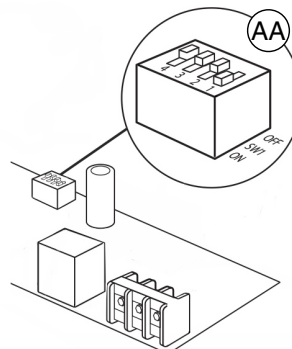
- a. Using a flathead screwdriver, remove the one (1) screw that secures the low water cut-off switch cover (Y).



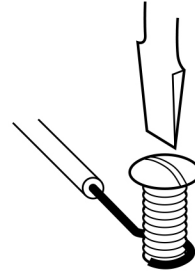
- b. Using a flathead screwdriver, loosen the two (2) screws and remove the feeder cover (Z).



- c. Position the slide switch selector (AA) in the **OFF** position.

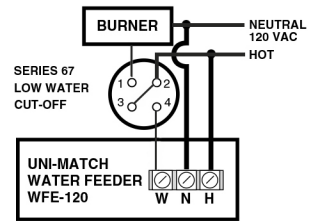


NOTE: To connect wires to the terminals on the water feeder, burner, or low water cut-off, place the bare end of the wire under the terminal screw and tighten the screw with a flathead screwdriver.

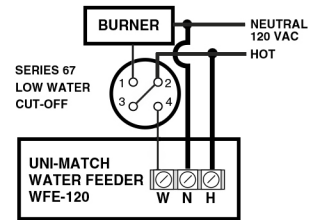


For the 120V Burner/120V Feeder or the 24V Burner/24V Feeder setups.

d. Connect a wire from the "hot" side of the power supply to the water feeder terminal #3, and low water cut-off terminal #2. Connect a wire from the neutral side of the power supply to the water feeder terminal #2, and to the neutral side of burner.



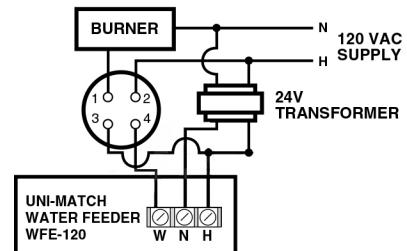
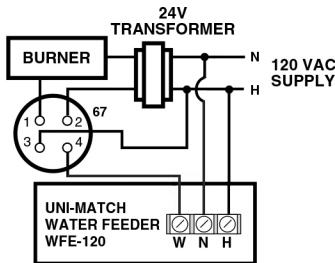
e. Connect the wire from the burner to terminal #1 of the low water cut-off. Connect a "jumper" from terminal #2 to terminal #3 of the low water cut-off. Connect a wire from terminal #4 of the low water cut-off to terminal #1 of the water feeder.



Wiring Alternative

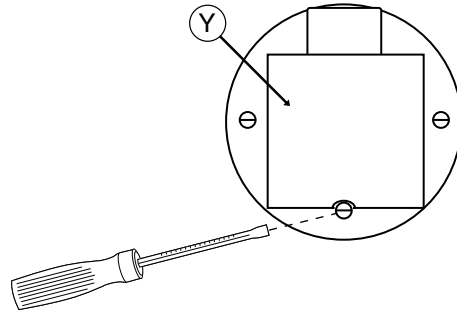
For the 24V Burner/120V Feeder setups.

For the 120V Burner/24V Feeder setups.

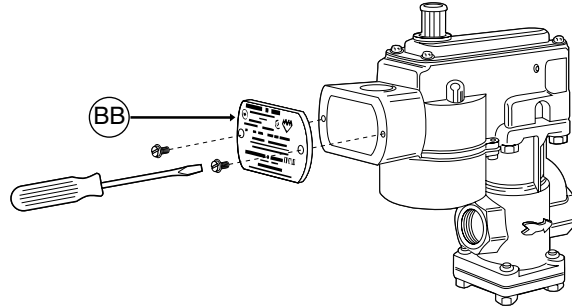


For 67 Low Water Cut-Off Installed with McDonnell & Miller Series 101-A Water-Feeder

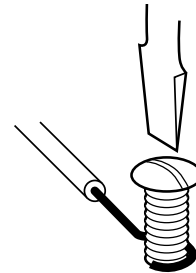
- a. Using a flathead screwdriver, remove the one (1) screw that secures the low water cut-offs switch housing (Y).



- b. Using a flathead screwdriver, remove the two (2) screws that secure the feeder cover (BB).

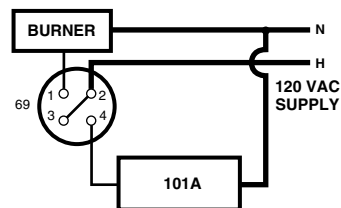


NOTE: To connect wires to the terminals on the burner, or low water cut-off, place the bare end of the wire under the terminal screw and tighten the screw with a flat-head screwdriver. On the 101-A water feeder use wire nuts.

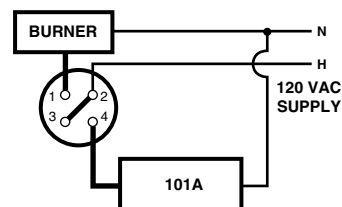


For the 120V Burner/120V Feeder setups.

- c. Using a wire nut, connect a wire from the neutral side of the power supply to one of the wires inside the feeders junction box. (Does not make a difference which one). Connect a wire from the "hot" side of the power supply to terminal #2 of the Series 67 junction box. Connect the neutral side of the power supply to the burner.

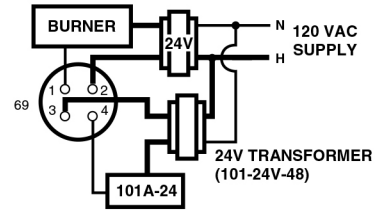


- d. Connect the wire from the burner to terminal #1 of the low water cut-off. Connect a "jumper" from terminal #2 to terminal #3 of the low water cut-off. Connect a wire from terminal #4 of the low water cut-off to the remaining wire in the 101A water feeder.

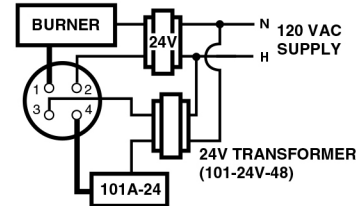


For the 24V Burner/24V Feeder setups.

c. Connect the "hot" wire from the boiler transformer to terminal #2 of the low water cut-off. Connect the "hot" side of the water feeder transformer to terminal #3 of the low water cut-off. Connect the neutral side of the boiler transformer to the burner. Using a wire nut, connect the neutral side of the water feeder transformer to the water feeder.



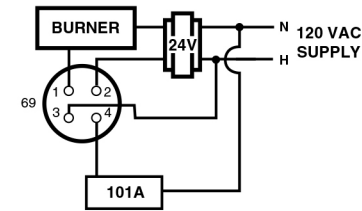
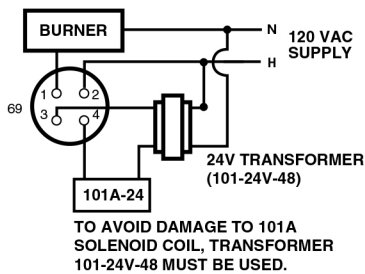
d. Connect the wire from the burner to terminal #1 of the low water cut-off. Connect a wire from terminal #4 of the low water cut-off to the remaining wire in the water feeder. Wire nut together.



Wiring Alternative

For the 120V Burner/24V Feeder setups.

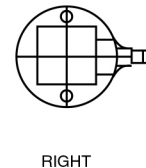
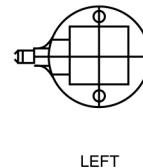
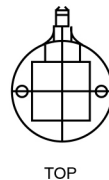
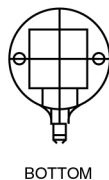
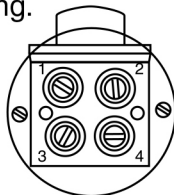
For the 24V Burner/120V Feeder setups.



IMPORTANT: It is very important that you use the transformer supplied with the 101-A-24. The boiler transformer in most cases is not big enough to handle the current draw of the 101-A-24. Use the supplied transformer (101-24-48). In most cases it will handle both the boiler and feeder. **Do not try to use two transformers in the same circuit.**

For All Installations

The BX outlet (GG) on the control is movable into any of the four positions by simply removing the two black-headed screws and rotating the housing.



INSTALLATION COMPLETE

MAINTENANCE

SCHEDULE:

- Blow down weekly (at least once) when the boiler is in operation.
- Disassemble and inspect annually. Replace the low water cut-off if it is worn, corroded, or if components no longer operate properly.
- Inspect the float chamber and equalizing piping annually. Remove all sediment and debris.
- Replace every 10 years. More frequent replacement may be required when severe conditions exist such as rapid switch cycling, surging water levels, and use of water treatment chemicals.

PROCEDURE:

 CAUTION	
	To prevent serious personal injury from steam and hot water, make sure there is a discharge line from the blow down valve to a proper place of disposal.
	Failure to follow this caution could cause personal injury.

1. Blow down the low water cut-off when the water level is at its normal level and the burner is on. Fully open the blow down valve and observe the water level fall in the gauge glass. Close the valve after verifying that the feeder contacts have closed and the burner shuts off. If this does not happen, immediately shut off the boiler and correct the problem.

COMMERCIAL WARRANTY

Warranty. For goods sold to commercial buyers, Seller warrants the goods sold to Buyer hereunder (with the exception of membranes, seals, gaskets, elastomer materials, coatings and other "wear parts" or consumables all of which are not warranted except as otherwise provided in the quotation or sales form) will be (i) be built in accordance with the specifications referred to in the quotation or sales form, if such specifications are expressly made a part of this Agreement, and (ii) free from defects in material and workmanship for a period of one (1) year from the date of installation or two (2) years from the date of manufacture, whichever shall occur first, unless a longer period is specified in the product documentation (the "Warranty").

Except as otherwise required by law, Seller shall, at its option and at no cost to Buyer, either repair or replace any product which fails to conform with the Warranty provided Buyer gives written notice to Seller of any defects in material or workmanship within ten (10) days of the date when any defects or non-conformance are first manifest. Under either repair or replacement option, Seller shall not be obligated to remove or pay for the removal of the defective product or install or pay for the installation of the replaced or repaired product and Buyer shall be responsible for all other costs, including, but not limited to, service costs, shipping fees and expenses. Seller shall have sole discretion as to the method or means of repair or replacement. Buyer's failure to comply with Seller's repair or replacement directions shall terminate Seller's obligations under this Warranty and render the Warranty void. Any parts repaired or replaced under the Warranty are warranted only for the balance of the warranty period on the parts that were repaired or replaced. Seller shall have no warranty obligations to Buyer with respect to any product or parts of a product that have been: (a) repaired by third parties other than Seller or without Seller's written approval; (b) subject to misuse, misapplication, neglect, alteration, accident, or physical damage; (c) used in a manner contrary to Seller's instructions for installation, operation and maintenance; (d) damaged from ordinary wear and tear, corrosion, or chemical attack; (e) damaged due to abnormal conditions, vibration, failure to properly prime, or operation without flow; (f) damaged due to a defective power supply or improper electrical protection; or (g) damaged resulting from the use of accessory equipment not sold or approved by Seller. In any case of products not manufactured by Seller, there is no warranty from Seller; however, Seller will extend to Buyer any warranty received from Seller's supplier of such products.

THE FOREGOING WARRANTY IS EXCLUSIVE AND IN LIEU OF ANY AND ALL OTHER EXPRESS OR IMPLIED WARRANTIES, GUARANTEES, CONDITIONS OR TERMS OF WHATEVER NATURE RELATING TO THE GOODS PROVIDED HEREUNDER, INCLUDING WITHOUT LIMITATION ANY IMPLIED WARRANTIES OF MERCHANTABILITY AND FITNESS FOR A PARTICULAR PURPOSE, WHICH ARE HEREBY EXPRESSLY DISCLAIMED AND EXCLUDED. EXCEPT AS OTHERWISE REQUIRED BY LAW, BUYER'S EXCLUSIVE REMEDY AND SELLER'S AGGREGATE LIABILITY FOR BREACH OF ANY OF THE FOREGOING WARRANTIES ARE LIMITED TO REPAIRING OR REPLACING THE PRODUCT AND SHALL IN ALL CASES BE LIMITED TO THE AMOUNT PAID BY THE BUYER FOR THE DEFECTIVE PRODUCT. IN NO EVENT SHALL SELLER BE LIABLE FOR ANY OTHER FORM OF DAMAGES, WHETHER DIRECT, INDIRECT, LIQUIDATED, INCIDENTAL, CONSEQUENTIAL, PUNITIVE, EXEMPLARY OR SPECIAL DAMAGES, INCLUDING BUT NOT LIMITED TO LOSS OF PROFIT, LOSS OF ANTICIPATED SAVINGS OR REVENUE, LOSS OF BUSINESS, LOSS OF INCOME, LOSS OF PRODUCTION, LOSS OF OPPORTUNITY OR LOSS OF REPUTATION.

LIMITED CONSUMER WARRANTY

Warranty. For goods sold for personal, family or household purposes, Seller warrants the goods purchased hereunder (with the exception of membranes, seals, gaskets, elastomer materials, coatings and other "wear parts" or consumables all of which are not warranted except as otherwise provided in the quotation or sales form) will be free from defects in material and workmanship for a period of one (1) year from the date of installation or two (2) years from the product date code, whichever shall occur first, unless a longer period is provided by law or is specified in the product documentation (the "Warranty").

Except as otherwise required by law, Seller shall, at its option and at no cost to Buyer, either repair or replace any product which fails to conform with the Warranty provided Buyer gives written notice to Seller of any defects in material or workmanship within ten (10) days of the date when any defects or non-conformance are first manifest. Under either repair or replacement option, Seller shall not be obligated to remove or pay for the removal of the defective product or install or pay for the installation of the replaced or repaired product and Buyer shall be responsible for all other costs, including, but not limited to, service costs, shipping fees and expenses. Seller shall have sole discretion as to the method or means of repair or replacement. Buyer's failure to comply with Seller's repair or replacement directions shall terminate Seller's obligations under this Warranty and render this Warranty void. Any parts repaired or replaced under the Warranty are warranted only for the balance of the warranty period on the parts that were repaired or replaced. The Warranty is conditioned on Buyer giving written notice to Seller of any defects in material or workmanship of warranted goods within ten (10) days of the date when any defects are first manifest.

Seller shall have no warranty obligations to Buyer with respect to any product or parts of a product that have been: (a) repaired by third parties other than Seller or without Seller's written approval; (b) subject to misuse, misapplication, neglect, alteration, accident, or physical damage; (c) used in a manner contrary to Seller's instructions for installation, operation and maintenance; (d) damaged from ordinary wear and tear, corrosion, or chemical attack; (e) damaged due to abnormal conditions, vibration, failure to properly prime, or operation without flow; (f) damaged due to a defective power supply or improper electrical protection; or (g) damaged resulting from the use of accessory equipment not sold or approved by Seller. In any case of products not manufactured by Seller, there is no warranty from Seller; however, Seller will extend to Buyer any warranty received from Seller's supplier of such products.

THE FOREGOING WARRANTY IS PROVIDED IN PLACE OF ALL OTHER EXPRESS WARRANTIES. ALL IMPLIED WARRANTIES, INCLUDING BUT NOT LIMITED TO THE IMPLIED WARRANTIES OF MERCHANTABILITY AND FITNESS FOR A PARTICULAR PURPOSE, ARE LIMITED TO ONE (1) YEAR FROM THE DATE OF INSTALLATION OR TWO (2) YEARS FROM THE PRODUCT DATE CODE, WHICHEVER SHALL OCCUR FIRST. EXCEPT AS OTHERWISE REQUIRED BY LAW, BUYER'S EXCLUSIVE REMEDY AND SELLER'S AGGREGATE LIABILITY FOR BREACH OF ANY OF THE FOREGOING WARRANTIES ARE LIMITED TO REPAIRING OR REPLACING THE PRODUCT AND SHALL IN ALL CASES BE LIMITED TO THE AMOUNT PAID BY THE BUYER FOR THE DEFECTIVE PRODUCT. IN NO EVENT SHALL SELLER BE LIABLE FOR ANY OTHER FORM OF DAMAGES, WHETHER DIRECT, INDIRECT, LIQUIDATED, INCIDENTAL, CONSEQUENTIAL, PUNITIVE, EXEMPLARY OR SPECIAL DAMAGES, INCLUDING BUT NOT LIMITED TO LOSS OF PROFIT, LOSS OF ANTICIPATED SAVINGS OR REVENUE, LOSS OF BUSINESS, LOSS OF INCOME, LOSS OF PRODUCTION, LOSS OF OPPORTUNITY OR LOSS OF REPUTATION.

Some states do not allow limitations on how long an implied warranty lasts, so the above limitation may not apply to you. Some states do not allow the exclusion or limitation of incidental or consequential damages, so the above exclusions may not apply to you. This warranty gives you specific legal rights, and you may also have other rights which may vary from state to state.

To make a warranty claim, check first with the dealer from whom you purchased the product or call +1-847-966-3700 for the name and location of the nearest dealer providing warranty service.

xylem
Let's Solve Water

Xylem Inc.
8200 N. Austin Avenue
Morton Grove, Illinois 60053
Phone: (847) 966-3700
Fax: (847) 965-8379
www.xylem.com/mcdonnellmiller

McDonnell & Miller is a trademark of Xylem Inc. or one of its subsidiaries.
© 2019 Xylem Inc. MM-201K March 2019 Part No. 246752

