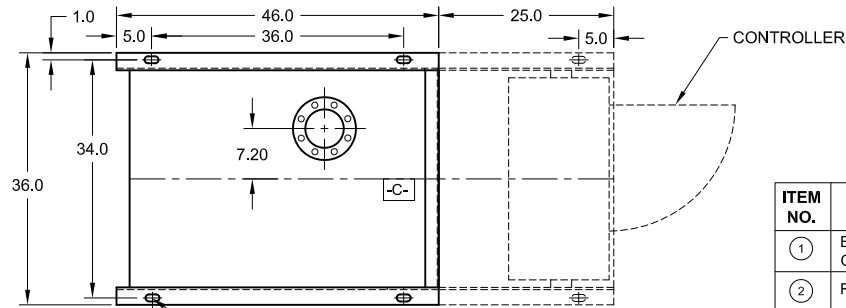


CLARKE FIRE PUMP DRIVERS
EPA NSPS TIER 3 ENGINE MODELS
VT APPLICATIONS



a xylem brand
Vertical Pumps

- A- - MOUNTING FACE OF FLYWHEEL
- B- - ENGINE CRANKSHAFT HORIZONTAL CENTERLINE
- C- - ENGINE CRANKSHAFT VERTICAL CENTERLINE
- D- - RIGHT ANGLE GEAR SHAFT CENTERLINE



ITEM NO.	DESCRIPTION	CONNECTION SIZE
①	EXHAUST OUTLET CONNECTION	6" 125# FLG.
②	RAW WATER OUTLET	SEE NOTE 6.
③	FUEL SUPPLY CONNECTION	1/2" NPTF
④	FUEL RETURN CONNECTION	3/8" NPTF
⑤	HEATER JUNCTION BOX	VOLTAGE REQUIREMENTS: AC CONNECTION HEATER 2500 WATTS STD- 230 VAC ±5%-10% OPT- 115 VAC ±5%-10%
⑥	RAW WATER INLET	SEE NOTE 7.

UL LISTED DRIVESHAFTS			
ENGINE MODEL	DRIVESHAFT MODEL	COUPLING MODEL	DIM: A
JW6H-UFADD0*, F0	CDS50-SC	TC45-11.5-81 FS	24.49
JW6H-UFAD70, J0	CDS50-SC	TC50-11.5-81 FS	26.49
JW6H-UFAD80	CDS50-SC*		

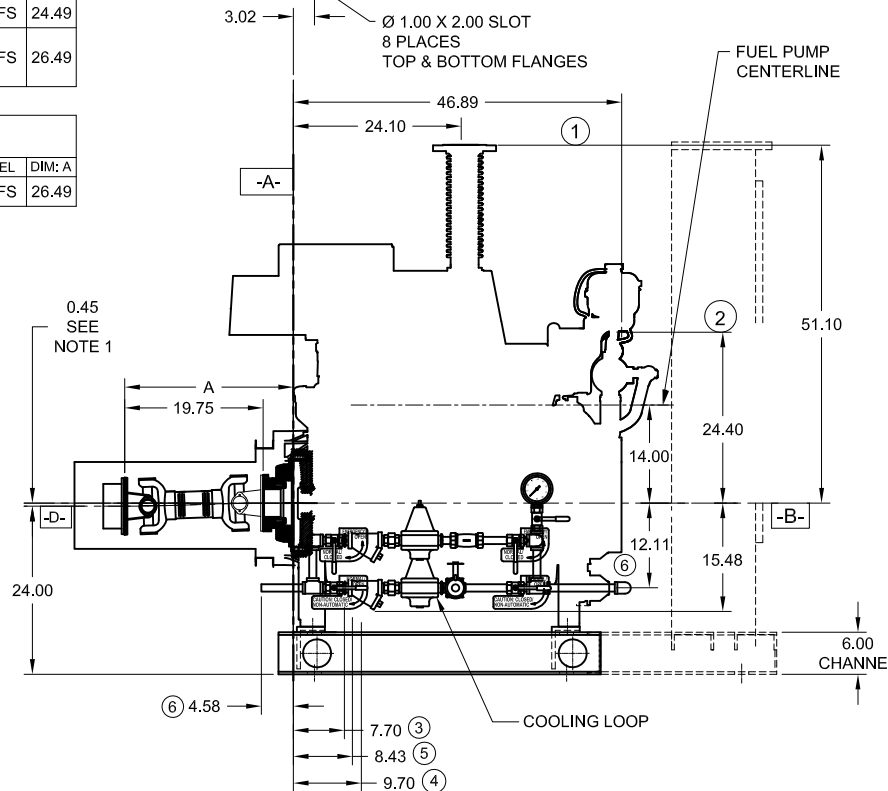
*INDICATES PLD ENGINE MODEL ONLY *2100 RPM ONLY

NON-LISTED DRIVESHAFTS			
ENGINE MODEL	DRIVESHAFT MODEL	COUPLING MODEL	DIM: A
JW6H-UFAD80	SC81A*	TC50-11.5-81 FS	26.49

*1760 RPM ONLY

NOTES:

- THE DRIVE SHAFT IS DESIGNED TO OPERATE AT A 2° ANGLE WITH THE INPUT AND OUTPUT SHAFTS IN PARALLEL. THE ENGINE CRANKSHAFT IS TO BE SET WITH A PARALLEL OFFSET OF 0.45" ± 0.11" INCHES VERTICALLY ABOVE THE PUMP SHAFT AND 0.00" ± 0.11" INCH PARALLEL OFFSET HORIZONTALLY RIGHT OR LEFT OF THE PUMP SHAFT. REFER TO THE CERTIFIED DRIVESHAFT INSTRUCTIONS MANUAL FOR ALIGNMENT INSTRUCTIONS.
- BASE MUST BE COMPLETELY FILLED WITH GROUT PER NFPA 20.
- ENGINE IS CW (CLOCKWISE) ROTATION WHEN VIEWED FROM THE HEAT EXCHANGER / FRONT OF ENGINE.
- ALL DIMENSIONS ARE IN INCHES.
- SUCTION AND DISCHARGE FLANGES DRILLED PER ANSI B16.1 (IF APPLICABLE).
- RAW WATER OUTLET SIZE VARIES BASED UPON SITE CONDITIONS. DEFAULT SIZE: 1-1/2" NPT
- RAW WATER INLET SIZE VARIES BASED UPON SITE CONDITIONS.



NOT FOR CONSTRUCTION, INSTALLATION OR APPLICATION PURPOSES UNLESS CERTIFIED.							
CERTIFIED FOR:						APPROVAL <input type="checkbox"/> UL <input type="checkbox"/> FM <input type="checkbox"/> ULC	
CUSTOMER ORDER NO:			IDENTIFICATION NO:			FLANGES	
PUMP DATA	SIZE	MODEL	CURVE NO.	GPM	HEAD (FT.)	ROTATION	SUCTION DISCHARGE
						CW	
ENGINE DATA	MAKE	MODEL	HP	RPM	VOLTAGE	POLARITY	MAX ALTITUDE
	CLARKE					NEG.	
SHOP ORDER:		CERTIFIED BY:		TOTAL WEIGHT		DATE:	