

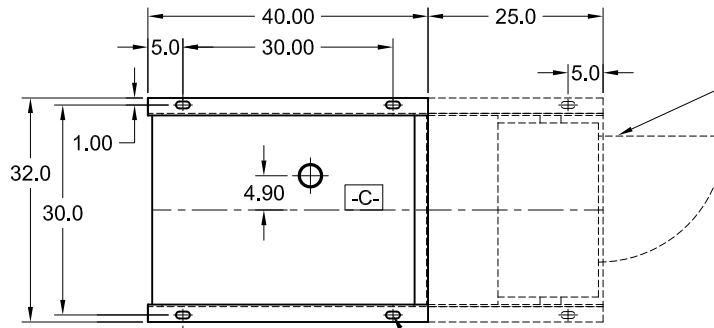
CLARKE FIRE PUMP DRIVERS  
EPA NSPS TIER IT4 ENGINE MODELS  
VT APPLICATIONS



a xylem brand

Vertical Pumps

- A- - MOUNTING FACE OF FLYWHEEL
- B- - ENGINE CRANKSHAFT HORIZONTAL CENTERLINE
- C- - ENGINE CRANKSHAFT VERTICAL CENTERLINE
- D- - RIGHT ANGLE GEAR SHAFT CENTERLINE



CONTROLLER

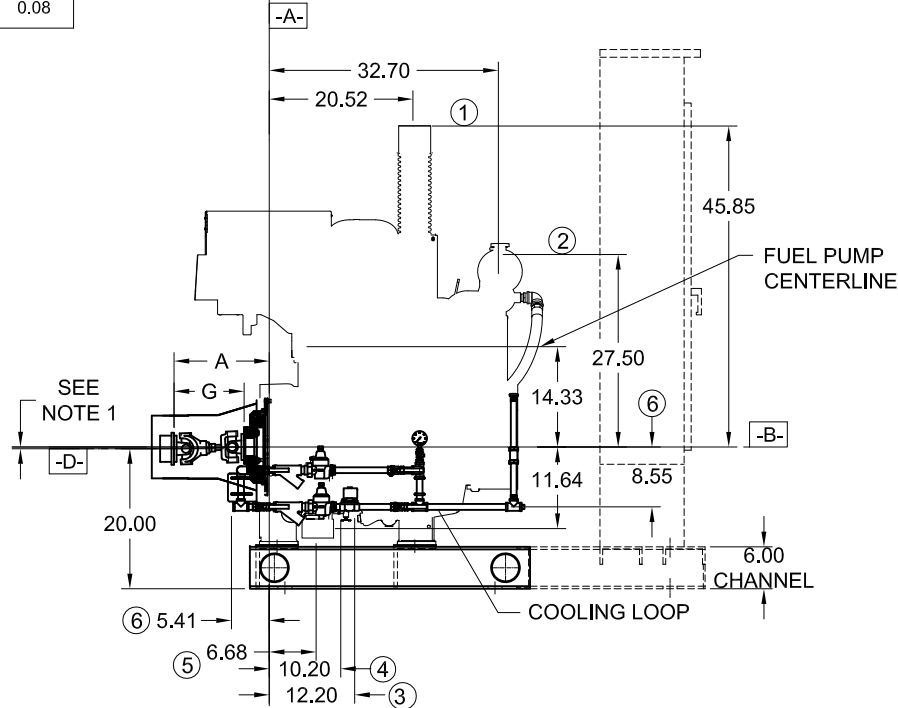
2.25

Ø1.00 X 2.00 SLOT  
8 PLACES  
TOP AND BOTTOM FLANGES

UL LISTED DRIVESHAFT			
ENGINE MODEL	DRIVESHAFT MODEL	DIM: G	DIM: K
JU4H-UFAEA0	CDS10-SC	10.00	0.09
JU4H-UFAEE8, AEF2, ADJ8, ADJ2	CDS20-SC	10.50	0.08

DRIVESHAFT MODEL	COUPLING MODEL	DIM: A
CDS10-SC	TC25-11.5-41 FS	13.35
CDS20-SC	TC25-11.5-55 FS	14.61

ITEM NO.	DESCRIPTION	CONNECTION SIZE
①	EXHAUST OUTLET CONNECTION	3" NPT FLEX EXHAUST
②	RAW WATER OUTLET	SEE NOTE 6.
③	FUEL SUPPLY CONNECTION	1/2" NPTF
④	FUEL RETURN CONNECTION	3/8" NPTF
⑤	HEATER JUNCTION BOX	VOLTAGE REQUIREMENTS: AC CONNECTION HEATER 1000 WATTS STD- 115 VAC ±5%-10% OPT- 230 VAC ±5%-10%
⑥	RAW WATER INLET	SEE NOTE 7.



NOTES:

1. THE DRIVE SHAFT IS DESIGNED TO OPERATE AT A 2° ANGLE WITH THE INPUT AND OUTPUT SHAFTS IN PARALLEL. THE ENGINE CRANKSHAFT IS TO BE SET WITH A PARALLEL OFFSET OF 0.25 ± "K" INCHES VERTICALLY ABOVE THE PUMP SHAFT AND 0.00" ± "K" INCH PARALLEL OFFSET HORIZONTALLY RIGHT OR LEFT OF THE PUMP SHAFT. REFER TO THE CERTIFIED DRIVESHAFT INSTRUCTIONS MANUAL FOR ALIGNMENT INSTRUCTIONS.
2. BASE MUST BE COMPLETELY FILLED WITH GROUT PER NFPA 20.
3. ENGINE IS CW (CLOCKWISE) ROTATION WHEN VIEWED FROM THE HEAT EXCHANGER/FRONT.
4. ALL DIMENSIONS ARE IN INCHES.
5. SUCTION AND DISCHARGE FLANGES DRILLED PER ANSI B16.1 (IF APPLICABLE).
6. RAW WATER OUTLET SIZE VARIES BASED UPON SITE CONDITIONS. DEFAULT SIZE: 1" NPT
7. RAW WATER INLET SIZE VARIES BASED UPON SITE CONDITIONS.

NOT FOR CONSTRUCTION, INSTALLATION OR APPLICATION PURPOSES UNLESS CERTIFIED.

CERTIFIED FOR:							APPROVAL		UL FM ULC	
CUSTOMER ORDER NO:							IDENTIFICATION NO:		FLANGES	
PUMP DATA	SIZE	MODEL	CURVE NO.	GPM	HEAD (FT.)	ROTATION	SUCTION	DISCHARGE		
						CW				
ENGINE DATA	MAKE	MODEL	HP	RPM	VOLTAGE	POLARITY	MAX ALTITUDE			
	CLARKE					NEG.				
SHOP ORDER:			CERTIFIED BY:			TOTAL WEIGHT		DATE:		

C133794 RevF  
12AUG15