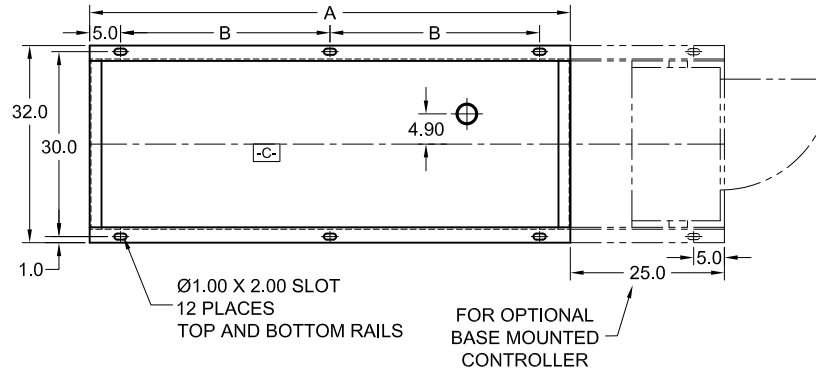


CLARKE FIRE PUMP DRIVERS
EPA NSPS TIER T3 / IT4 ENGINE MODELS
HSC 8100 SERIES PUMPS

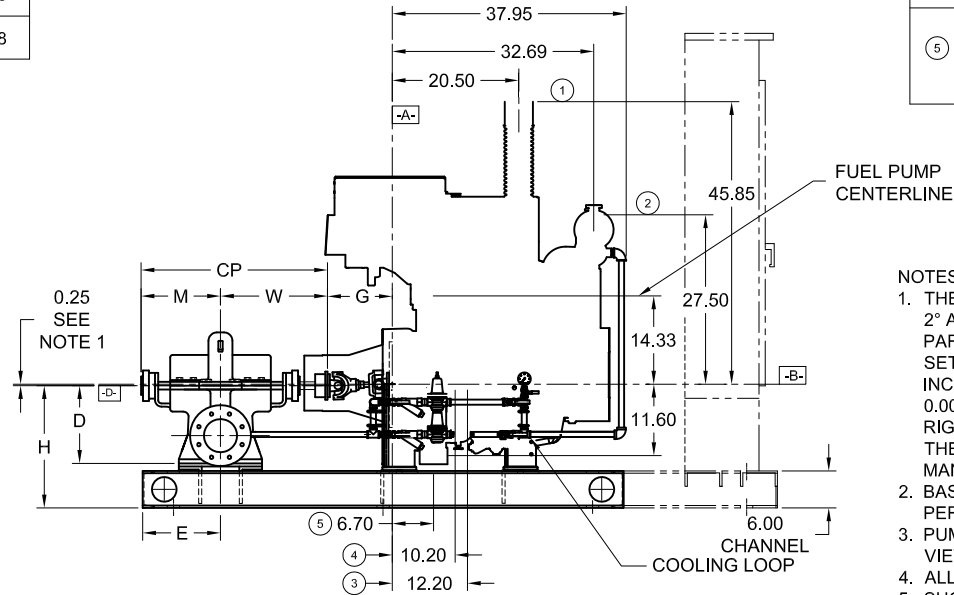
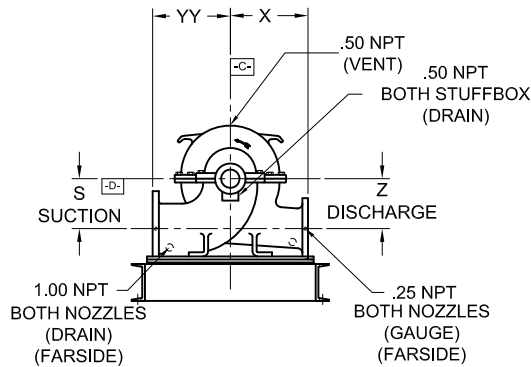


- A- - MOUNTING FACE OF FLYWHEEL
- B- - ENGINE CRANKSHAFT HORIZONTAL CENTERLINE
- C- - ENGINE CRANKSHAFT VERTICAL CENTERLINE
- D- - PUMP SHAFT HORIZONTAL CENTERLINE



UL LISTED DRIVESHAFT			
ENGINE MODEL	DRIVESHAFT MODEL	DIM: G	DIM: K
JU4H-UFAEA0	CDS10-SC	10.50	0.09
JU4H-UFAEE8, AEF2, ADJ8, ADJ2	CDS20-SC	11.00	0.08

ITEM NO.	DESCRIPTION	CONNECTION SIZE
①	EXHAUST OUTLET CONNECTION	3" NPT FLEX EXHAUST
②	RAW WATER OUTLET	SEE NOTE 6.
③	FUEL SUPPLY CONNECTION	1/2" NPTF
④	FUEL RETURN CONNECTION	3/8" NPTF
⑤	HEATER JUNCTION BOX	VOLTAGE REQUIREMENTS: AC CONNECTION HEATER 1000 WATTS STD- 115 VAC ±5%-10% OPT- 230 VAC ±5%-10%



NOTES:

- THE DRIVE SHAFT IS DESIGNED TO OPERATE AT A 2° ANGLE WITH THE INPUT AND OUTPUT SHAFTS IN PARALLEL. THE ENGINE CRANKSHAFT IS TO BE SET WITH A PARALLEL OFFSET OF 0.25 ± "K" INCHES VERTICALLY ABOVE THE PUMP SHAFT AND 0.00" ± "K" INCH PARALLEL OFFSET HORIZONTALLY RIGHT OR LEFT OF THE PUMP SHAFT. REFER TO THE CERTIFIED DRIVESHAFT INSTRUCTIONS MANUAL FOR ALIGNMENT INSTRUCTIONS.
- BASE MUST BE COMPLETELY FILLED WITH GROUT PER NFPA 20.
- PUMP IS CW (CLOCKWISE) ROTATION WHEN VIEWED FROM THE COUPLING END.
- ALL DIMENSIONS ARE IN INCHES.
- SUCTION AND DISCHARGE FLANGES DRILLED PER ANSI B16.1 (IF APPLICABLE).
- RAW WATER DRAIN PIPING SIZE VARIES BASED UPON SITE CONDITIONS. ENGINE CONN. SIZE: 1" NPT

PUMP MODEL	PUMP SIZE		DIMENSIONS											
	SUCT.	DISCH.	A	B	H	E	M	W	CP	D	YY	X	S	Z
3X2X11F	3	2	78	34	20	14.00	12.25	16.00	28.25	9.00	10.00	9.00	5.50	5.50
6X4X12F	6	4	78	34	21	12.50	13.25	17.50	30.75	12.75	13.00	11.50	7.75	7.75
8X6X12F	8	6	78	34	24	12.50	13.25	17.50	30.75	14.75	14.00	14.00	9.00	9.00
8X6X13F	8	6	88	39	23	18.75	15.63	21.25	36.88	13.50	15.50	13.00	8.00	8.00
8X6X18F	8	6	88	39	24	18.75	15.63	21.25	36.88	14.75	16.00	14.00	9.00	9.00
8X8X12F	8	8	88	39	23	18.75	15.63	21.25	36.88	13.50	16.50	14.00	8.00	8.00
8X8X17F	8	8	88	39	24	17.44	17.00	22.56	39.56	15.25	16.50	15.00	9.50	9.50

NOT FOR CONSTRUCTION, INSTALLATION OR APPLICATION PURPOSES UNLESS CERTIFIED.							
CERTIFIED FOR:						APPROVAL	
CUSTOMER ORDER NO:						IDENTIFICATION NO:	
PUMP DATA						FLANGES	
ENGINE DATA						MAX ALTITUDE	
SHOP ORDER:				CERTIFIED BY:		TOTAL WEIGHT	DATE:
						<input type="checkbox"/> UL <input type="checkbox"/> FM <input type="checkbox"/> ULC	
SIZE		MODEL	CURVE NO.	GPM	HEAD (FT.)	ROTATION	SUCTION
MAKE		MODEL	HP	RPM	VOLTAGE	POLARITY	DISCHARGE
CLARKE						NEG.	