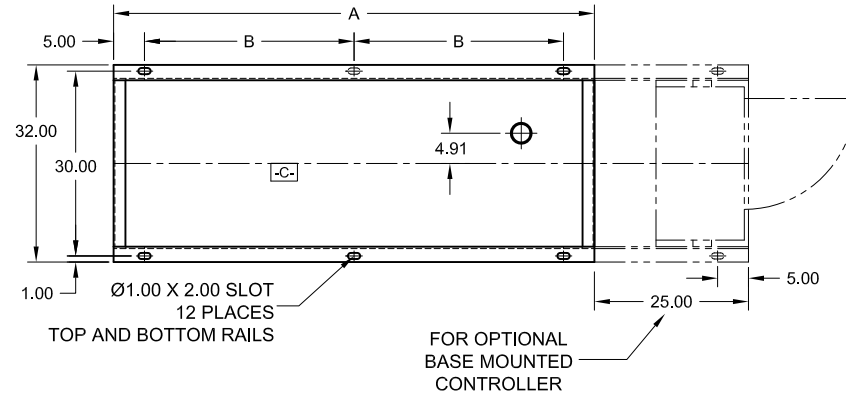


CLARKE FIRE PUMP DRIVERS
EPA NSPS TIER 3 ENGINE MODELS
HSC 8100 SERIES PUMPS

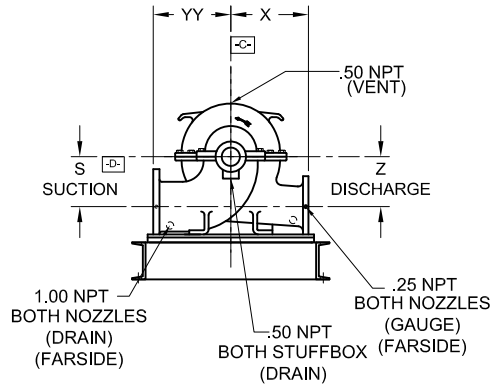
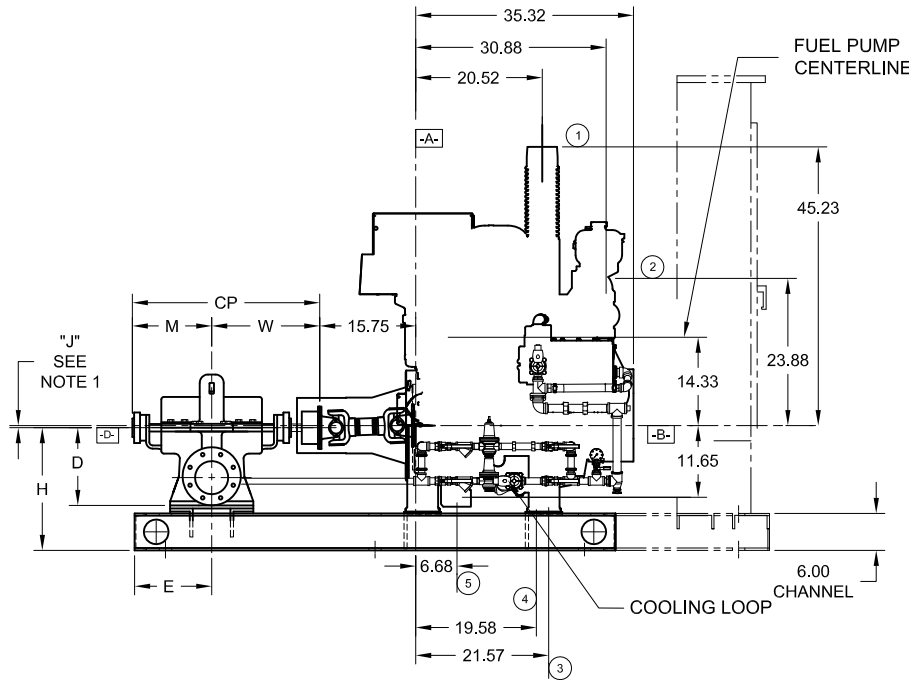


- A- - MOUNTING FACE OF FLYWHEEL
- B- - ENGINE CRANKSHAFT HORIZONTAL CENTERLINE
- C- - ENGINE CRANKSHAFT VERTICAL CENTERLINE
- D- - PUMP SHAFT HORIZONTAL CENTERLINE



UL LISTED DRIVESHAFT	
ENGINE MODEL	DRIVESHAFT MODEL
JU4H-UFAD5G, AD58, ADP0 ADR0, ADW8, ADY8 ADJG	CDS30-S1

ITEM NO.	DESCRIPTION	CONNECTION SIZE
①	EXHAUST OUTLET CONNECTION	4" NPT EXHAUST
②	RAW WATER OUTLET	SEE NOTE 6.
③	FUEL SUPPLY CONNECTION (FARSIDE)	1/2" NPTF
④	FUEL RETURN CONNECTION (FARSIDE)	3/8" NPTF
⑤	HEATER JUNCTION BOX	VOLTAGE REQUIREMENTS: AC CONNECTION HEATER 1000 WATTS STD- 115 VAC ±5%-10% OPT- 230 VAC ±5%-10%



- NOTES:**
1. THE DRIVE SHAFT IS DESIGNED TO OPERATE AT A 2° ANGLE WITH THE INPUT AND OUTPUT SHAFTS IN PARALLEL. THE ENGINE CRANKSHAFT IS TO BE SET WITH A PARALLEL OFFSET OF 0.35" ± 0.10" INCHES VERTICALLY ABOVE THE PUMP SHAFT AND 0.00" ± 0.10" INCH PARALLEL OFFSET HORIZONTALLY RIGHT OR LEFT OF THE PUMP SHAFT. REFER TO THE CERTIFIED DRIVESHAFT INSTRUCTIONS MANUAL FOR ALIGNMENT INSTRUCTIONS.
 2. BASE MUST BE COMPLETELY FILLED WITH GROUT PER NFPA 20.
 3. PUMP IS CW (CLOCKWISE) ROTATION WHEN VIEWED FROM THE COUPLING END.
 4. ALL DIMENSIONS ARE IN INCHES.
 5. SUCTION AND DISCHARGE FLANGES DRILLED PER ANSI B16.1 (IF APPLICABLE).
 6. RAW WATER DRAIN PIPING SIZE VARIES BASED UPON SITE CONDITIONS. ENGINE CONN. SIZE: 1-1/4" NPT

PUMP TYPE	PUMP SIZE		DIMENSIONS												
	SUCT.	DISCH.	A	B	H	E	M	W	CP	D	YY	X	S	Z	
6x4x12 F	6	4	78	34	21	12.50	13.25	17.50	30.75	12.00	13.00	11.50	7.75	7.75	
8X6X12 F	8	6	78	34	24	12.50	13.25	17.50	30.75	14.00	14.00	14.00	9.00	9.00	
8X6X13 F	8	6	88	39	23	18.75	15.62	21.25	36.87	12.75	15.50	13.00	8.00	8.00	
8X6X18 F	8	6	88	39	24	18.75	15.62	21.25	36.87	14.00	16.00	14.00	9.00	9.00	
8X8X12 F	8	8	88	39	23	18.75	15.62	21.25	36.87	12.75	16.50	14.00	8.00	8.00	
8X8X17 F	8	8	88	39	24	17.44	17.00	22.56	39.56	14.50	16.50	15.00	9.50	9.50	
10X8X17 F	10	8	88	39	26	17.44	17.00	22.56	39.56	16.00	18.00	16.00	10.00	10.00	
10X8X20 F	10	8	88	39	30	17.44	17.00	22.56	39.56	20.00	20.00	18.00	14.00	14.00	

NOT FOR CONSTRUCTION, INSTALLATION OR APPLICATION PURPOSES UNLESS CERTIFIED.									
CERTIFIED FOR:							APPROVAL		
							UL	FM	ULC
CUSTOMER ORDER NO:				IDENTIFICATION NO:			FLANGES		
PUMP DATA	SIZE	MODEL	CURVE NO.	GPM	HEAD (FT.)	ROTATION	SUCTION	DISCHARGE	
							CW		
ENGINE DATA	MAKE	MODEL	HP	RPM	VOLTAGE	POLARITY	MAX ALTITUDE		
	CLARKE						NEG.		
SHOP ORDER:			CERTIFIED BY:			TOTAL WEIGHT		DATE:	