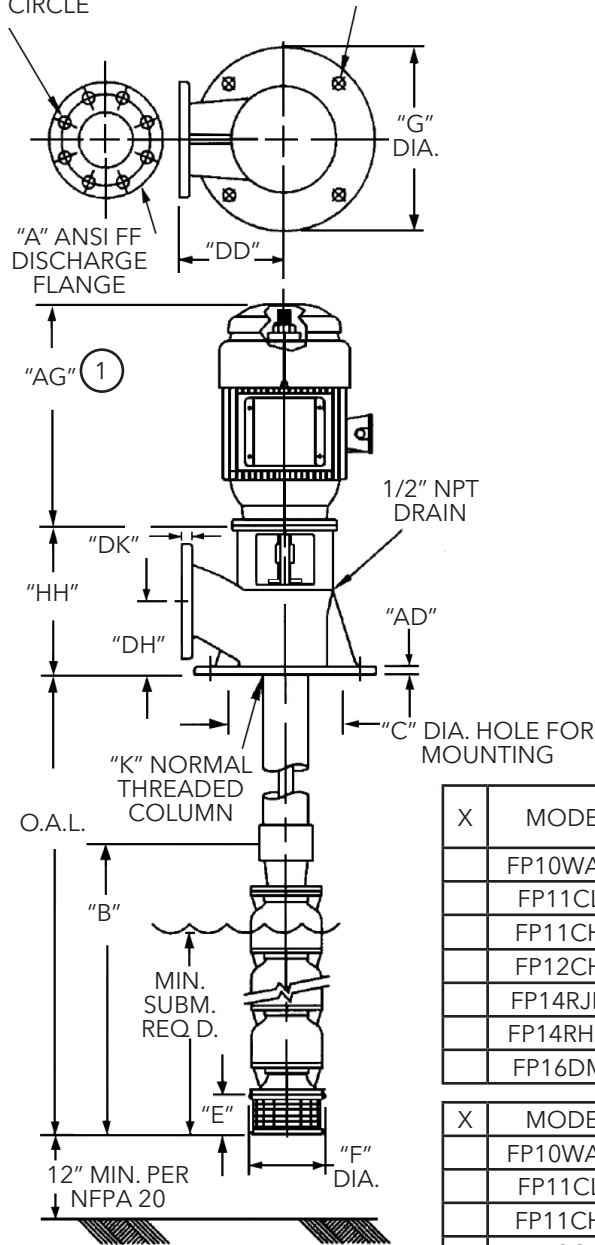


Supersedes all previous issues

"DG" TAPPED HOLES  
"DB" PLACES ON "DA"  
BOLT CIRCLE  
4 - "J" DIA. HOLES ON  
"H" DIA. BOLT CIRCLE



NOTES:

1. DIMENSIONS BASED ON MOTOR HEIGHT OF A STANDARD WP-1 HOLLOW SHAFT MOTOR. SUBJECT TO CHANGE DEPENDING ON MOTOR MFG. AND/OR THE USE OF A MOTOR ADAPTER.
2. DIMENSIONS ARE IN INCHES UNLESS OTHERWISE INDICATED.
3. WHEN MOTOR IS OIL LUBRICATED, OIL IS NOT FURNISHED. SEE OPERATION MANUAL FOR MANUFACTURER'S RECOMMENDATIONS.

X	125# DISCHARGE FLANGE					
	A	DA	DB	DG	DK	DD
4	7.50	8	5/8-11	1.00	10.00	
6	9.50	8	3/4-10	1.00	10.25	
8	11.75	8	3/4-10	1.12	11.50	
10	14.25	12	7/8-9	1.19	14.00	

X	250# DISCHARGE FLANGE					
	A	DA	DB	DG	DK	DD
4	7.88	8	3/4-10	1.00	10.00	
6	10.63	12	3/4-10	1.44	10.69	
8	13.00	12	7/8-9	1.63	12.00	
10	15.25	16	1-8	1.88	14.69	

X	MODEL	NO. OF STAGES	B - 1ST STAGE	B - ADD'L STAGE	C	E	F	K
	FP10WALC		22.26	7.63	12.25	6.63	11.25	4
	FP11CLC		25.26	9.88	13.25	6.25	12.13	6
	FP11CHC		25.26	9.88	13.25	6.25	12.13	6
	FP12CHC		28.26	11.00	13.25	6.25	12.13	6
	FP14RJHC		30.51	11.50	15.00	9.63	14.00	8
	FP14RHHC		42.51	13.63	15.00	11.38	13.75	10
	FP16DMC		52.25	15.25	19.00	16.00	17.50	10

X	MODEL	A	DH	HH	AD	G	J	H	MIN SUBM.
	FP10WALC	4	7.00	22.00	1.19	16.00	.63	14.00	23.93
	FP11CLC	6	7.63	25.00	1.19	19.00	.75	17.00	29.25
	FP11CHC	6	7.63	25.00	1.19	19.00	.75	17.00	33.75
	FP12CHC	6	7.63	25.00	1.19	19.00	.75	17.00	40.25
	FP14RJHC	8	8.75	26.00	1.19	21.00	.75	18.75	51.63
	FP14RHHC	10	10.56	28.25	1.37	25.00	.75	22.75	61.38
	FP16DMC	10	10.56	28.25	1.37	25.00	.75	22.75	66.00

NOT FOR CONSTRUCTION, INSTALLATION OR APPLICATION PURPOSES UNLESS CERTIFIED.

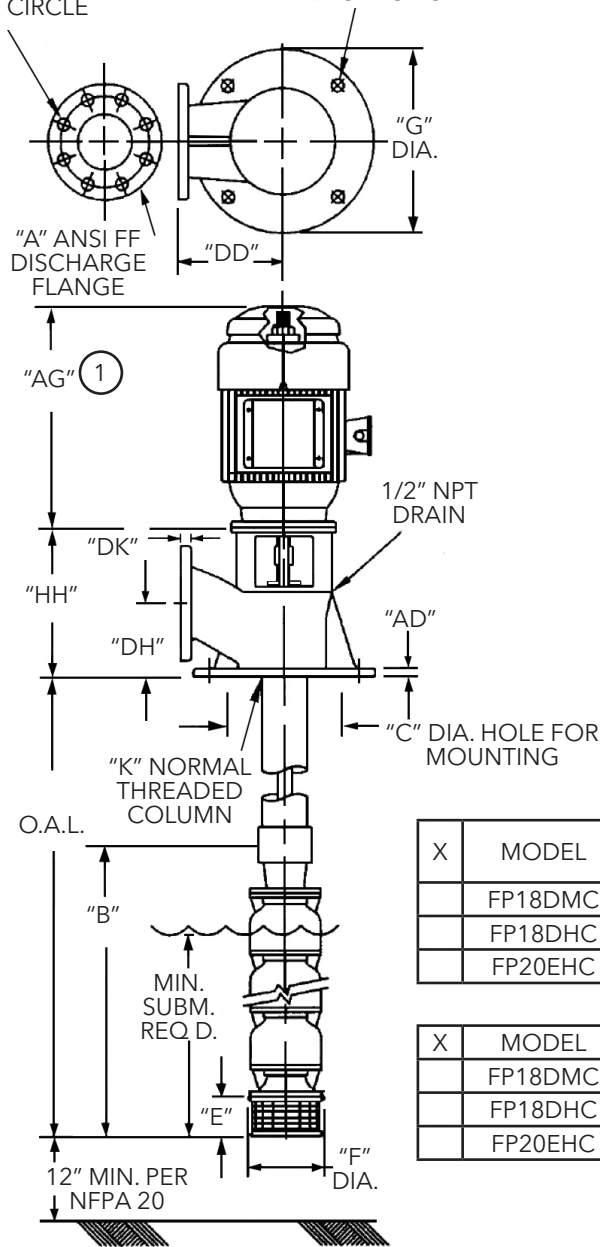
CERTIFIED FOR: APPROVAL UL  FM  ULC

CUSTOMER ORDER NO: IDENTIFICATION NO:

PUMP DATA	SIZE	NO. OF STAGES	CURVE NO.	GPM	HEAD (PSI)	ROTATION	FLANGES
MOTOR DATA	HP	RPM	VOLTS	PHASE	HERTZ	FRAME SIZE	ENCLOSURE
SHOP ORDER:	CERTIFIED BY:			TOTAL WEIGHT		DATE	

Supersedes all previous issues

"DG" TAPPED HOLES  
"DB" PLACES ON "DA"  
BOLT CIRCLE  
4 - "J" DIA. HOLES ON  
"H" DIA. BOLT CIRCLE



NOTES:

1. DIMENSIONS BASED ON MOTOR HEIGHT OF A STANDARD WP-1 HOLLOW SHAFT MOTOR. SUBJECT TO CHANGE DEPENDING ON MOTOR MFG. AND/OR THE USE OF A MOTOR ADAPTER.
2. DIMENSIONS ARE IN INCHES UNLESS OTHERWISE INDICATED.
3. WHEN MOTOR IS OIL LUBRICATED. OIL IS NOT FURNISHED. SEE OPERATION MANUAL FOR MANUFACTURER'S RECOMMENDATIONS.

X	125# DISCHARGE FLANGE					
	A	DA	DB	DG	DK	DD
	12	17.00	12	.88-9	1.25	16.00
	14	18.75	12	1.125-7	1.38	22.00

X	MODEL	NO. OF STAGES	B - 1ST STAGE	B - ADD'L STAGE	C	E	F	K
	FP18DMC		51.00	16.75	21.00	16.75	19.50	12
	FP18DHC		51.00	16.75	21.00	16.75	19.50	12
	FP20EHC		51.25	18.00	26.00	20.75	24.13	14

X	MODEL	A	DH	HH	AD	G	J	H	MIN SUBM.
	FP18DMC	12	10.75	23.00	1.50	32.00	.88	30.00	103.75
	FP18DHC	12	10.75	23.00	1.50	32.00	.88	30.00	237.75
	FP20EHC	14	14.00	43.00	1.75	38.75	1.38	36.00	91.75

NOT FOR CONSTRUCTION, INSTALLATION OR APPLICATION PURPOSES UNLESS CERTIFIED.							
CERTIFIED FOR:				APPROVAL    UL <input type="checkbox"/> FM <input type="checkbox"/> ULC <input type="checkbox"/>			
CUSTOMER ORDER NO:				IDENTIFICATION NO:			
PUMP DATA	SIZE	NO. OF STAGES	CURVE NO.	GPM	HEAD (PSI)	ROTATION	FLANGES
	HP	RPM	VOLTS	PHASE	HERTZ	FRAME SIZE	ENCLOSURE
MOTOR DATA							
SHOP ORDER:				CERTIFIED BY:	TOTAL WEIGHT	DATE	