



Bell & Gossett
a xylem brand

PARTS LIST
DHP-100R1-PL



Replacement Parts for
Domestic® Pump
Series CM, CSM, CBM, CBEM
Boiler Feed Units
For Units built after 1986

Hoffman Specialty®
Series HCM & HSM
For Units built after 1986

INDEX

How to Use This Parts List	3ä
Typical Outline of Floor Mounted Boiler Feed Unit	4ä
Typical 3 Valve By Pass Arrangement	5ä
Typical Suction Piping Arrangement for Series CBEM	5ä
Pump Selection Tables – Series CM, HCM, CSM & HSMä using C35-3500 RPM Centriflo Pumps	6ä
Pump Selection Tables – Series CM, HCM, CSM & HSM using C17-1750 RPM Centriflo Pumps	7ä
Pump Selection Tables – Series CBM & CBEMä using B35-3500 RPM Centrifugal Pumps.	8ä
Parts for 23 Gallon/Cast Iron Receiver/Duplex Pumps	9ä
Parts for 23 Gallon/Cast Iron Receiver/Simplex Pumps	10ä
Parts for 36 Gallon/Cast Iron Receiver/Duplex Pumps	11ä
Parts for 36 Gallon/Cast Iron Receiver/Simplex Pumps	12ä
Parts for 52 Gallon/Cast Iron Receiver/Duplex Pumps	13ä
Parts for 52 Gallon/Cast Iron Receiver/Simplex Pumps	14ä
Parts for 75 Gallon/Cast Iron Receiver/Duplex Pumps	15ä
Parts for 75 Gallon/Cast Iron Receiver/Simplex Pumps	16ä
Parts for 120 Gallon/Cast Iron Receiver/Duplex Pumps	17ä
Parts for 120 Gallon/Cast Iron Receiver/Simplex Pumps	18ä
Parts for 250 Gallon/Cast Iron Receiver/Duplex Pumps	19ä
Parts for 250 Gallon/Cast Iron Receiver/Simplex Pumps	20ä
Parts for 23 Gallon/Steel Receiver/Duplex Pumps.	21ä
Parts for 23 Gallon/Steel Receiver/Simplex Pumps.	22ä
Parts for 36 Gallon/Steel Receiver/Duplex Pumps.	23ä
Parts for 36 Gallon/Steel Receiver/Simplex Pumps.	24ä
Parts for 52 Gallon/Steel Receiver/Duplex Pumps.	25ä
Parts for 52 Gallon/Steel Receiver/Simplex Pumps.	26ä
Parts for 75 Gallon/Steel Receiver/Duplex Pumps.	27ä
Parts for 75 Gallon/Steel Receiver/Simplex Pumps.	28ä
Parts for 120 Gallon/Steel Receiver/Duplex Pumps.	29ä
Parts for 120 Gallon/Steel Receiver/Simplex Pumps.	30ä
Parts for 250 Gallon/Steel Receiver/Duplex Pumps.	31ä
Parts for 250 Gallon/Steel Receiver/Simplex Pumps.	32ä
Accessories Detail – Butterfly Valves, Discharge Pressure Gages,ä Gauge Glass, Basket Strainer.	33ä
Make Up Valve Assemblies (and Air Gap fitting)	34ä
3 Valve By Pass Assemblies.	35ä
1½" Elevated Suction Piping	36ä
2" Elevated Suction Piping	37ä

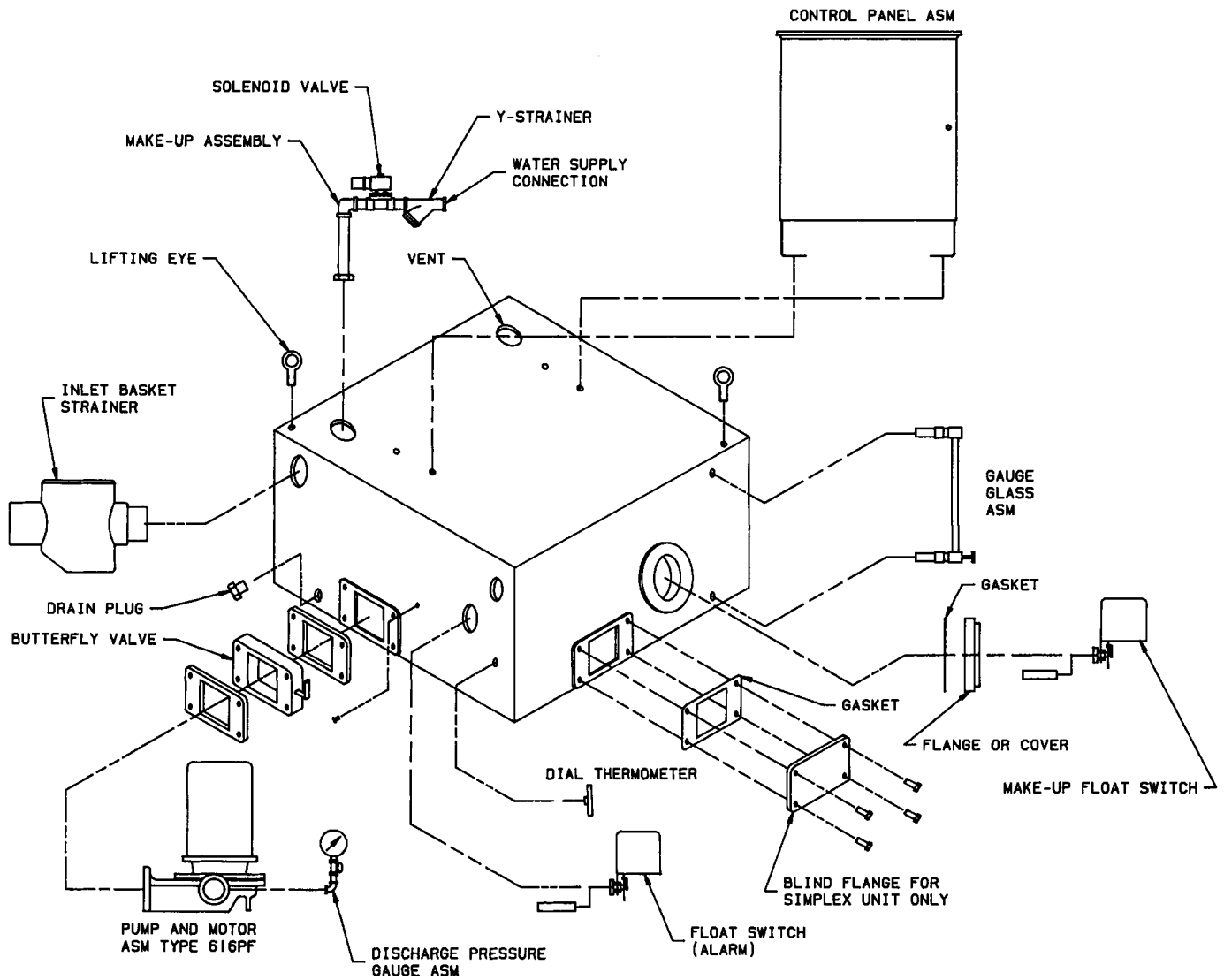
How to Use This Parts List

The nameplate identifies the unit by its model number and capacities are noted. Receiver sizes can be determined by consulting the factory with specific serial numbers or by comparing unit dimensions noted in the Representative Submittal Book. Specific unit information is determined by identifying the model number, receiver size, pump combination and the motor horsepower (which is noted on the motor nameplate).

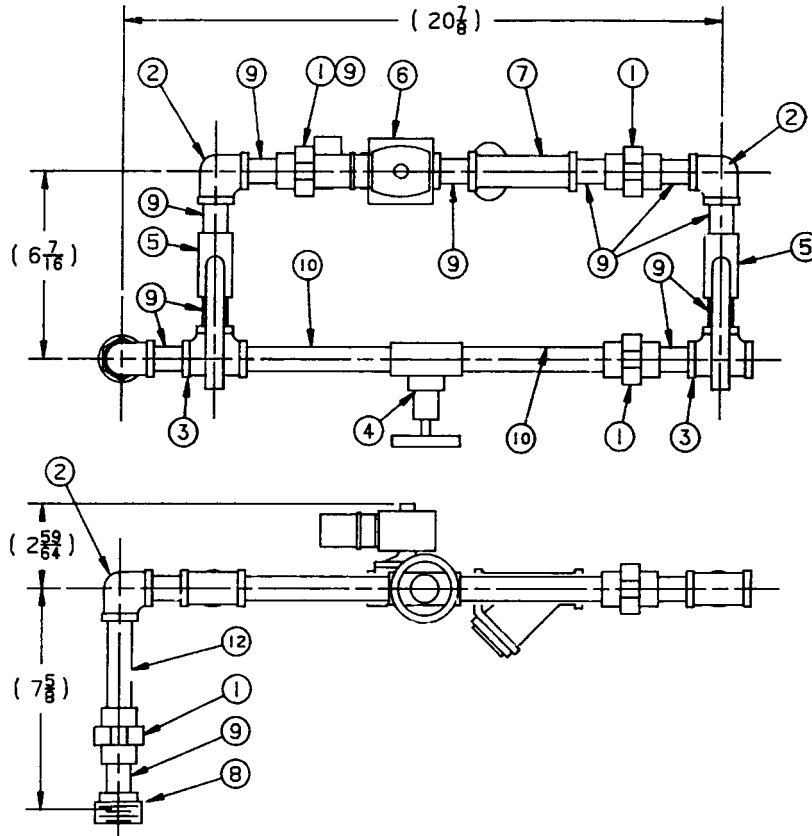
The following procedure will result in proper parts selection:

1. Determine from the unit nameplate the unit model number and Serial Number.
2. Determine Receiver Size by consulting the factory with original unit Serial Number or refer to dimensional information detailed in the factory representatives Submittal Book.
3. Refer to the index to identify the appropriate page for parts selection based on receiver size and receiver material of construction.
4. Using the appropriate referenced drawings, identify parts.
5. For individual pump parts, consult original unit nameplate for pump identification or consult pump selection tables to identify the typical pump for a specified duty point. Individual pump parts should be selected from current pump parts lists, or the ESP-Parts computer program, or by consulting the factory.

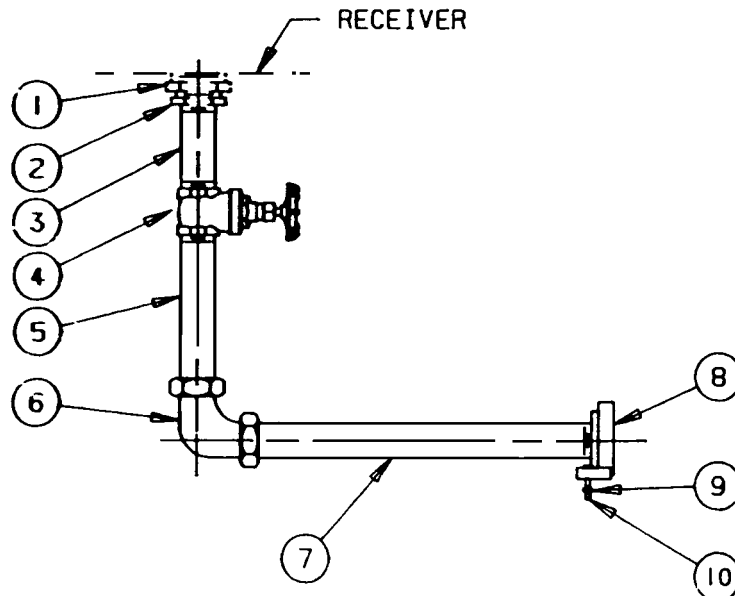
TYPICAL OUTLINE OF FLOOR MOUNTED BOILER FEED UNIT



TYPICAL 3 VALVE BY PASS ARRANGEMENT



TYPICAL SUCTION PIPING ARRANGEMENT FOR SERIES CBEM



SERIES CM, HCM, CSM & HSM BOILER FEED UNITS Using C35-3500 RPM Centriflo Pumps

PUMP GPM	PUMP PSI	HP	C-35 MODEL#	IMP PART#	DIAM.
6	15	1/3	609	DP0321	3 11/16
6	20	1/3	609	DP0321	3 11/16
6	25	1/2	616	DP0336	4 1/16
6	30	3/4	616	DP0336	4 3/8
6	40	1	617	DP0346	4 7/8
6	50	1 1/2	617	DP0346	5 1/16
6	60	2	620	DP3363	6
6	75	3	620	DP3363	6 5/8
6	90	5	620	DP3364	7 1/8
9	15	1/3	609	DP0321	3 11/16
9	20	1/3	609	DP0321	3 11/16
9	25	1/2	616	DP0336	4 3/16
9	30	3/4	616	DP0336	4 7/16
9	40	1	617	DP0346	5
9	50	1 1/2	617	DP0346	5 9/16
9	60	2	620	DP3363	6 1/8
9	75	3	620	DP3363	6 11/16
9	90	5	620	DP3364	7 3/16
12	15	1/3	609	DP0321	3 11/16
12	20	1/3	609	DP0321	3 11/16
12	25	1/2	616	DP0336	4 3/16
12	30	3/4	616	DP0336	4 7/16
12	40	1	617	DP0346	5
12	50	1 1/2	617	DP0346	5 1/2
12	60	2	620	DP3363	6 3/16
12	75	3	620	DP3363	6 3/4
12	90	5	620	DP3364	7 1/4
15	15	1/3	609	DP0321	3 11/16
15	20	1/3	609	DP0321	3 11/16
15	25	1/2	616	DP0336	4 1/8
15	30	3/4	616	DP0336	4 9/16
15	40	1	617	DP0346	5
15	50	1 1/2	617	DP0346	5 9/16
15	60	2	620	DP3363	6 1/8
15	75	3	620	DP3363	6 3/4
15	90	5	620	DP3364	7 3/8
22	15	1/3	609	DP0321	3 11/16
22	20	1/2	616	DP0336	3 11/16
22	25	3/4	616	DP0336	3 11/16
22	30	1	617	DP0346	4 1/8
22	40	1 1/2	617	DP0346	4 1/2
22	50	2	620	DP3363	5 1/2
22	60	3	620	DP3363	5 1/2
22	75	4	620	DP3364	6 1/4
22	90	5	620	DP3364	6 1/4

PUMP GPM	PUMP PSI	HP	C-35 MODEL#	IMP PART#	DIAM.
22	30	3/4	616	DP0336	4 3/8
22	40	1 1/2	617	DP0346	5
22	50	2	617	DP0346	5 1/16
22	60	3	620	DP3363	6 1/8
22	75	3	620	DP3363	6 1/4
22	90	5	620	DP3364	7 1/4
30	15	1/2	616	DP0336	3 11/16
30	20	3/4	616	DP0336	3 13/16
30	25	3/4	616	DP0336	4 1/8
30	30	1	616	DP0336	4 3/8
30	40	1 1/2	617	DP0346	5
30	50	2	617	DP0346	5 1/16
30	60	3	620	DP3363	6 1/4
30	75	5	620	DP3364	6 3/4
30	90	5	620	DP3364	7 3/16
37	15	1/2	616	DP0336	3 9/16
37	20	3/4	616	DP0336	3 7/8
37	25	1	616	DP0336	4 1/4
37	30	1 1/2	616	DP0336	4 1/2
37	40	2	617	DP0346	5 1/8
37	50	3	620	DP3363	5 5/8
37	60	3	620	DP3363	6
37	75	5	620	DP3364	6 5/8
37	90	5	620	DP3364	7 3/16
45	15	3/4	616	DP0336	3 11/16
45	20	1	616	DP0336	4
45	25	1	616	DP0336	4 5/16
45	30	1 1/2	616	DP0336	4 9/16
45	40	2	620	DP3363	5 1/4
45	50	3	620	DP3363	5 5/8
45	60	3	620	DP3363	6 1/4
45	75	5	620	DP3364	6 11/16
45	90	5	620	DP3364	7 1/4
60	15	1	626	DP0390	3 3/8
60	20	1 1/2	626	DP0390	3 11/16
60	25	1 1/2	626	DP0390	4 1 5/16
60	30	2	626	DP0390	4 1/4
60	40	3	620	DP3363	5 1/2
60	50	3	620	DP3363	5 3/4

PUMP GPM	PUMP PSI	HP	C-35 MODEL#	IMP PART#	DIAM.
60	60	5	620	DP3364	6 1/4
60	75	5	620	DP3364	6 7/8
60	90	7 1/2	620	DP3364	7 1/2
75	15	1 1/2	626	DP0390	3 1/2
75	20	1 1/2	626	DP0390	3 3/4
75	25	2	626	DP0390	4 1/8
75	30	2	626	DP0390	4 3/8
75	40	5	620	DP3364	5 3/4
75	50	5	613	DP0314	5 9/16
75	60	5	620	DP3364	6 1/2
75	75	7 1/2	620	DP3364	7 1/16
75	90	7 1/2	620	DP3364	7 9/16
90	15	1 1/2	625	DP0380	3 5/8
90	20	2	625	DP0380	3 15/16
90	25	2	625	DP0380	4 1/4
90	30	3	625	DP0382	4 1/16
90	40	5	613	DP0314	5 9/16
90	50	5	618	DP0354	5 3/4
90	60	7 1/2	618	DP3354	6 1/8
90	75	7 1/2	618	DP3354	6 5/8
90	90	—	—	—	—
112	15	2	625	DP0380	3 7/16
112	20	2	625	DP0380	3 13/16
112	25	3	625	DP0382	4 1/16
112	30	3	625	DP0382	4 3/8
112	40	5	613	DP0314	5 1/2
112	50	5	618	DP0354	5 7/8
112	60	7 1/2	618	DP3354	6 5/16
112	75	7 1/2	618	DP3354	6 7/8
112	90	—	—	—	—
150	15	3	625	DP0382	3 3/4
150	20	3	625	DP0382	4
150	25	5	625	DP0384	4 1/4
150	30	5	625	DP0384	4 9/16
150	40	7 1/2	618	DP0354	6
150	50	7 1/2	618	DP0354	6 5/16
150	60	10	618	DP0352	6 9/16
150	75	10	618	DP0352	7 1/8
150	90	—	—	—	—

Shaded pumps typically use an orifice in the pump discharge. Consult factory with original unit serial number for additional information.

SERIES CM, HCM, CSM & HSM BOILER FEED UNITS Using C17-1750 RPM Centriflo Pumps

PUMP GPM	PUMP PSI	HP	C-17 MODEL#	IMP PART#	DIAM.	PUMP GPM	PUMP PSI	HP	C-17 MODEL#	IMP PART#	DIAM.	PUMP GPM	PUMP PSI	HP	C-17 MODEL#	IMP PART#	DIAM.
9	15	1/3	650	DP0416	6 1/8	30	15	3/4	650	DP0418	6 1/4	75	15	1 1/2	651	DP0424	7
9	20	1/2	650	DP0416	7	30	20	1	650	DP0418	7 1/8	75	20	2	651	DP0424	7 7/8
9	25	3/4	650	DP0418	7 9/16	30	25	1	650	DP0418	7 9/16	75	25	2	673	DP3540	7 7/8
9	30	1 1/2	673	DP3540	8 7/16	30	30	1 1/2	673	DP3540	8 7/16	75	30	3	673	DP3540	8 9/16
12	15	1/3	650	DP0416	6 1/8	37	15	3/4	650	DP0418	6 1/2	90	15	1 1/2	651	DP0424	7 1/4
12	20	3/4	650	DP0418	7	37	20	1	650	DP0418	7 1/8	90	20	2	673	DP3540	7 1/4
12	25	3/4	650	DP0418	7 9/16	37	25	1 1/2	673	DP3540	7 13/16	90	25	2	673	DP3540	8
12	30	1 1/2	673	DP3540	8 7/16	37	30	1 1/2	673	DP3540	8 7/16	90	30	3	673	DP3540	8 5/8
15	15	1/2	650	DP0416	6 1/8	45	15	3/4	650	DP0418	6 5/8	112	15	2	673	DP3540	7 1/16
15	20	3/4	650	DP0418	7	45	20	1	650	DP0418	7 1/4	112	20	2	673	DP3540	7 9/16
15	25	1	650	DP0418	7 9/16	45	25	1 1/2	673	DP3540	7 3/4	112	25	3	673	DP3540	8 5/16
15	30	1 1/2	673	DP3540	8 5/8	45	30	2	673	DP3540	8 1/2	112	30	3	673	DP3540	8 3/4
22	15	1/2	650	DP0416	6 1/8	60	15	1	651	DP0424	6 1/2	150	15	2	654	DP0432	6 3/16
22	20	3/4	650	DP0418	7 1/8	60	20	1 1/2	651	DP0424	7 1/4	150	20	3	654	DP0432	6 13/16
22	25	1	650	DP0418	7 9/16	60	25	1 1/2	673	DP3540	7 5/8	150	25	5	654	DP0432	7 7/8
22	30	1 1/2	673	DP3540	8 7/16	60	30	2	673	DP3540	8 1/2	150	30	5	654	DP0432	8 1/2

Shaded pumps typically use an orifice in the pump discharge. Consult factory with original unit serial number for additional information.

SERIES CBM & CBEM BOILER FEED UNITS Using C35-3500 RPM Centrifugal Pumps

PUMP GPM	PUMP PSI	HP	B-35 MODEL#	IMP PART#	DIAM.
6	15	1/3	616B	DP0336	3/16
6	20	1/3	616B	DP0336	3/8
6	25	1/2	616B	DP0336	3/4
6	30	3/4	616B	DP0336	4/8
6	40	1 1/2	617B	DP0346	4 3/4
6	50	1 1/2	617B	DP0346	5 3/8
6	60	3	620B	DP3363	5 3/4
6	75	3	620B	DP3363	6 7/16
6	85	5	620B	DP3364	6 3/4
6	100	5	620B	DP3364	7 3/8
9	15	1/3	616B	DP0336	3/16
9	20	1/3	616B	DP0336	3/8
9	25	1/2	616B	DP0336	3/4
9	30	3/4	616B	DP0336	4 1/4
9	40	1 1/2	617B	DP0346	4 13/16
9	50	1 1/2	617B	DP0346	5 3/8
9	60	3	620B	DP3363	5 3/4
9	75	3	620B	DP3363	6 7/16
9	85	5	620B	DP3364	6 3/4
9	100	5	620B	DP3364	7 7/16
12	15	1/3	616B	DP0336	3/4
12	20	1/3	616B	DP0336	3 5/16
12	25	1/2	616B	DP0336	3 11/16
12	30	3/4	616B	DP0336	4 1/8
12	40	1 1/2	617B	DP0346	4 13/16
12	50	2	617B	DP0346	5 3/8
12	60	3	620B	DP3363	5 3/4
12	75	5	620B	DP3364	6 7/16
12	85	5	620B	DP3364	6 7/8
12	100	5	620B	DP3364	7 7/16
15	15	1/3	616B	DP0336	3/4
15	20	1/2	616B	DP0336	3/8
15	25	3/4	616B	DP0336	3 13/16
15	30	3/4	616B	DP0336	4 3/16
15	40	1 1/2	617B	DP0346	4 7/8
15	50	2	617B	DP0346	5 7/16
15	60	3	620B	DP3363	5 3/4
15	75	5	620B	DP3364	6 1/2
15	85	5	620B	DP3364	6 7/8
15	100	5	620B	DP3364	7 7/16
22	15	1/2	616B	DP0336	3/4
22	20	1/2	616B	DP0336	3 7/16
22	25	3/4	616B	DP0336	3 7/8
22	30	3/4	616B	DP0336	4 3/16
22	40	1 1/2	617B	DP0346	4 13/16

PUMP GPM	PUMP PSI	HP	B-35 MODEL#	IMP PART#	DIAM.
22	50	2	617B	DP0346	5 7/16
22	60	3	620B	DP3363	5 13/16
22	75	5	620B	DP3364	6 9/16
22	85	5	620B	DP3364	6 15/16
22	100	5	620B	DP3364	7 1/16
30	15	1/2	616B	DP0336	3 3/16
30	20	3/4	616B	DP0336	3 5/8
30	25	3/4	616B	DP0336	4
30	30	1	616B	DP0336	4 1/4
30	40	2	617B	DP0346	4 15/16
30	50	3	617B	DP0346	5 7/16
30	60	3	620B	DP3363	5 13/16
30	75	5	620B	DP3364	6 5/8
30	85	5	620B	DP3364	7
30	100	7 1/2	620B	DP3364	7 9/16
37	15	1/2	616B	DP0336	3 5/16
37	20	3/4	616B	DP0336	3 3/4
37	25	1	616B	DP0336	4 3/16
37	30	1	616B	DP0336	4 5/16
37	40	3	626B	DP0392	4 9/16
37	50	3	620B	DP3363	5 1/2
37	60	5	620B	DP3364	5 7/8
37	75	5	620B	DP3364	6 5/8
37	85	5	620B	DP3364	7 1/16
37	100	7 1/2	620B	DP3364	7 9/16
45	15	3/4	616B	DP0336	3 5/8
45	20	3/4	616B	DP0336	3 7/8
45	25	1	616B	DP0336	4 3/16
45	30	1 1/2	616B	DP0336	4 1/2
45	40	3	620B	DP3363	5 1/8
45	50	3	620B	DP3363	5 9/16
45	60	5	620B	DP3364	6 1/8
45	75	5	620B	DP3364	6 3/4
45	85	7 1/2	620B	DP3364	7 1/8
45	100	7 1/2	620B	DP3364	7 9/16
60	15	1 1/2	626B	DP0390	3
60	20	1 1/2	626B	DP0390	3 3/8
60	25	2	626B	DP0390	3 13/16
60	30	2	626B	DP0390	4 1/16
60	40	3	620B	DP3363	5 3/8
60	50	5	620B	DP3364	5 3/4
60	60	5	620B	DP3364	6 1/4
60	75	7 1/2	620B	DP3364	6 7/8
60	85	7 1/2	620B	DP3364	7 1/4
60	100	7 1/2	620B	DP3364	7 9/16

PUMP GPM	PUMP PSI	HP	B-35 MODEL#	IMP PART#	DIAM.
75	15	1 1/2	626B	DP0390	3 1/4
75	20	2	626B	DP0390	3 9/16
75	25	2	626B	DP0390	3 15/16
75	30	3	626B	DP0392	4 3/16
75	40	5	613B	DP0314	5
75	50	5	613B	DP0314	5 7/16
75	60	7 1/2	618B***	DP0354	5 15/16
75	75	10	618B***	DP0352	6 9/16
75	85	10	618B***	DP0352	7
75	100	15	618B***	DP0352	7 1/2
90	15	1 1/2	626B	DP0390	3 7/16
90	20	2	626B	DP0390	3 3/4
90	25	3	626B	DP0392	4 1/8
90	30	3	626B	DP0392	4 3/8
90	40	5	613B	DP0314	5 1/8
90	50	7 1/2	614B***	DP0326	5 3/8
90	60	7 1/2	618B***	DP0354	6
90	75	10	618B***	DP0352	6 7/8
90	85	10	618B***	DP0352	7 1/8
112	15	3	625B***	DP0382	3 7/8
112	20	3	625B***	DP0382	3 7/16
112	25	5	625B***	DP0384	3 11/16
112	30	5	625B***	DP0384	4 1/8
112	40	7 1/2	614B***	DP0326	5
112	50	7 1/2	614B***	DP0326	5 7/16
112	60	10	618B***	DP0352	6 1/4
112	75	10	618B***	DP0352	6 3/4
112	85	15	618B***	DP0352	7 3/8
125	15	3	625B***	DP0392	3 1/4
125	20	3	625B***	DP0392	3 3/8
125	25	5	625B***	DP0384	3 3/4
125	30	5	625B***	DP0384	4 1/8
140	15	5	614B***	DP0326	4
140	20	5	614B***	DP0326	4 1/8
140	25	5	614B***	DP0326	4 3/8
140	30	5	614B***	DP0326	4 5/8
140	40	7.5	614B***	DP0326	5
140	50	7.5	614B***	DP0326	5 3/8
140	60	10	618B***	DP0352	6 1/2*
140	75	15	618B***	DP0352	7*
140	85	15	618B***	DP0352	7 1/2*

***Pumps supplied with "D" style Suction Flange.
 "D" Flange Pumps cannot be mounted on CBM style Units.
 Shaded pumps typically use an orifice in the pump discharge. Consult factory with original unit serial number for additional information.

23 Gallon Cast Iron Receiver for Duplex Pumps

Item #	X = Optional Accessories	Description	Part Number	Qty.
		Receiver	DR0218	1
		Float Switch Mounting Flange	DA0200	1
		Volute to Receiver Gasket	DG0060	2
		Float Switch Flange Gasket	DG0131	1
		Float Switch Flange Mounting Studs	DJ0471	6
		Pipe Plug	F08400	1
		Drain Plug	U19200	1
		Float Switch Flange Nuts	P52380	6
		1/2" Make Up Valve Assembly (115v)	DE0842	1
		Alternate Choice	-OR-	
		1/2 " Make Up Valve Assembly (208v & 230v)	DE0845	1
		Nut (Pump Mounting)	F11400	8
		Pipe Plug (2 1/2")	F12200	1
		Make Up Float Switch Assembly	DA0393	1
	X	Butterfly Valves/Low Capacity	DV0094	2
	X	Inlet Basket Strainer Assembly 2"	DA0180	1
	X	Dial Thermometer	DA0101	1
		Alternate Choice	-OR-	
	X	Angle Thermometer	DA0104	1
	X	Gauge Glass Assembly	DV0369	1
	X	Discharge Pressure Gauge Assembly, 0-60 PSI	DA0121	2
		Alternate Choice	-OR-	
	X	Discharge Pressure Gauge Assembly, 61-160 PSI	DA0122	2

23 Gallon Cast Iron Receiver for Simplex Pumps

Item #	X = Optional Accessories	Description	Part Number	Qty.
		Receiver	DR0218	1
		Blind Flange	DF0210	1
		Float Switch Mounting Flange	DA0200	1
		Volute to Receiver Gasket	DG0060	2
		Float Switch Flange Gasket	DG0131	1
		Float Switch Flange Mounting Studs	DJ0471	6
		Stud	DJ0479	4
		Pipe Plug	F08400	1
		Drain Plug	U19200	1
		Pipe Plug	P39020	1
		Float Switch Flange Nuts	P52380	6
		1/2" Make Up Valve Assembly (115v)	DE0842	1
		Alternate Choice	-OR-	
		1/2" Make Up Valve Assembly (208v & 230v)	DE0845	1
		Nut (Pump Mounting)	F11400	8
		Pipe Plug (2 1/2")	F12200	1
		Make Up Float Switch Assembly	DA0393	1
	X	Butterfly Valves/Low Capacity	DV0094	1
	X	Inlet Basket Strainer Assembly 2"	DA0180	1
	X	Dial Thermometer	DA0101	1
		Alternate Choice	-OR-	
	X	Angle Thermometer	DA0104	1
	X	Gauge Glass Assembly	DV0369	1
	X	Discharge Pressure Gauge Assembly, 0-60 PSI	DA0121	1
		Alternate Choice	-OR-	
	X	Discharge Pressure Gauge Assembly, 61-160 PSI	DA0122	1

36 Gallon Cast Iron Receiver for Duplex Pumps

Item #	X = Optional Accessories	Description	Part Number	Qty.
		Receiver	DR0232	1
		Receiver (elevated for CBEM)	DR0226	1
		Suction Piping (for CBEM)	see page 36 & 37	2
		Frame Assembly (for CBEM)	DB0114	1
		Blind Flange (for CBEM)	DF0210	1
		Blind Flange with Air Relief tapping (for CBEM)	DF0211	1
		Blind Flange Air Relief Fitting (for CBEM)	DF0507	1
		Float Switch Mounting Flange	DA0200	1
		Volute to Receiver Gasket	DG0060	2
		Float Switch Flange Gasket	DG0131	1
		Float Switch Flange Mounting Studs	DJ0471	6
		Pipe Plug	F08400	1
		Drain Plug	U19200	1
		Float Switch Flange Nuts	P52380	6
		1/2" Make Up Valve Assembly (115v)	DE0842	1
		Alternate Choice	-OR-	
		1/2" Make Up Valve Assembly (208v & 230v)	DE0845	1
		Nut (Pump Mounting)	F11400	8
		Pipe Plug (2 1/2")	F12200	1
		Make Up Float Switch Assembly	DA0393	1
	X	Butterfly Valves/Low Capacity	DV0094	2
	X	Inlet Basket Strainer Assembly 3"	DA0182	1
	X	Dial Thermometer	DA0101	1
		Alternate Choice	-OR-	
	X	Angle Thermometer	DA0104	1
	X	Gauge Glass Assembly	DV0374	1
	X	Discharge Pressure Gauge Assembly, 0-60 PSI	DA0121	2
		Alternate Choice	-OR-	
	X	Discharge Pressure Gauge Assembly, 61-160 PSI	DA0122	2

36 Gallon Cast Iron Receiver for Simplex Pumps

Item #	X = Optional Accessories	Description	Part Number	Qty.
		Receiver	DR0232	1
		Blind Flange (for CM, CSM, CBM)	DF0210	1
		Receiver (elevated for CBEM)	DR0226	1
		Suction Piping (for CBEM)	see page 36 & 37	1
		Frame Assembly (for CBEM)	DB0114	1
		Blind Flange (for CBEM)	DF0210	1
		Blind Flange with Air Relief tapping (for CBEM)	DF0211	1
		Blind Flange Air Relief Fitting (for CBEM)	DF0506	1
		Float Switch Mounting Flange	DA0200	1
		Volute to Receiver Gasket	DG0060	2
		Float Switch Flange Gasket	DG0131	1
		Float Switch Flange Mounting Studs	DJ0471	6
		Stud	DJ0479	4
		Pipe Plug	F08400	1
		Drain Plug	U19200	1
		Pipe Plug	P39020	1
		Float Switch Flange Nuts	P52380	6
		1/2" Make Up Valve Assembly (115v)	DE0842	1
		Alternate Choice	-OR-	
		1/2" Make Up Valve Assembly (208v & 230v)	DE0845	1
		Nut (Pump Mounting)	F11400	8
		Pipe Plug (2 1/2")	F12200	1
		Make Up Float Switch Assembly	DA0393	1
	X	Butterfly Valves/Low Capacity	DV0094	1
	X	Inlet Basket Strainer Assembly 3"	DA0182	1
	X	Dial Thermometer	DA0101	1
		Alternate Choice	-OR-	
	X	Angle Thermometer	DA0104	1
	X	Gauge Glass Assembly	DV0374	1
	X	Discharge Pressure Gauge Assembly, 0-60 PSI	DA0121	1
		Alternate Choice	-OR-	
	X	Discharge Pressure Gauge Assembly, 61-160 PSI	DA0122	1

52 Gallon Cast Iron Receiver for Duplex Pumps

Item #	X = Optional Accessories	Description	Part Number	Qty.
		Receiver	DR0234	1
		Receiver (elevated for CBEM)	DR0619	1
		Suction Piping (for CBEM)	see page 36 & 37	2
		Frame Assembly (for CBEM)	DB0115	1
		Blind Flange (for CBEM)	DF0210	1
		Blind Flange with Air Relief tapping (for CBEM)	DF0211	1
		Blind Flange Air Relief Fitting (for CBEM)	DF0507	1
		Float Switch Mounting Flange	DA0200	1
		Volute to Receiver Gasket	DG0060	2
		Float Switch Flange Gasket	DG0131	1
		Float Switch Flange Mounting Studs	DJ0471	6
		Pipe Plug	F08400	1
		Drain Plug	U19200	1
		Float Switch Flange Nuts	P52380	6
		1/2" Make Up Valve Assembly (115v)	DE0842	1
		Alternate Choice	-OR-	
		1/2" Make Up Valve Assembly (208v & 230v)	DE0845	1
		Nut (Pump Mounting)	F11400	8
		Pipe Plug (2 1/2")	F12200	1
		Make Up Float Switch Assembly	DA0393	1
	X	Butterfly Valves/Low Capacity	DV0094	2
	X	Inlet Basket Strainer Assembly 3"	DA0182	1
	X	Dial Thermometer	DA0101	1
		Alternate Choice	-OR-	
	X	Angle Thermometer	DA0104	1
	X	Gauge Glass Assembly	DV0376	1
	X	Discharge Pressure Gauge Assembly, 0-60 PSI	DA0121	2
		Alternate Choice	-OR-	
	X	Discharge Pressure Gauge Assembly, 61-160 PSI	DA0122	2

52 Gallon Cast Iron Receiver for Simplex Pumps

Item #	X = Optional Accessories	Description	Part Number	Qty.
		Receiver	DR0234	1
		Receiver (elevated for CBEM)	DR0619	1
		Suction Piping (for CBEM)	see page 36 & 37	1
		Frame Assembly (for CBEM)	DB0115	1
		Blind Flange (for CBEM)	DF0210	1
		Blind Flange with Air Relief tapping (for CBEM)	DF0211	1
		Blind Flange Air Relief Fitting (for CBEM)	DF0506	1
		Blind Flange	DF0210	1
		Float Switch Mounting Flange	DA0200	1
		Volute to Receiver Gasket	DG0060	2
		Float Switch Flange Gasket	DG0131	1
		Float Switch Flange Mounting Studs	DJ0471	6
		Stud	DJ0479	4
		Pipe Plug	F08400	1
		Drain Plug	U19200	1
		Pipe Plug	P39020	1
		Float Switch Flange Nuts	P52380	6
		1/2" Make Up Valve Assembly (115v)	DE0842	1
		Alternate Choice	-OR-	
		1/2" Make Up Valve Assembly (208v & 230v)	DE0845	1
		Nut (Pump Mounting)	F11400	8
		Pipe Plug (2 1/2")	F12200	1
		Make Up Float Switch Assembly	DA0393	1
	X	Butterfly Valves/Low Capacity	DV0094	1
	X	Inlet Basket Strainer Assembly 3"	DA0182	1
	X	Dial Thermometer	DA0101	1
		Alternate Choice	-OR-	
	X	Angle Thermometer	DA0104	1
	X	Gauge Glass Assembly	DV0376	1
	X	Discharge Pressure Gauge Assembly, 0-60 PSI	DA0121	1
		Alternate Choice	-OR-	
	X	Discharge Pressure Gauge Assembly, 61-160 PSI	DA0122	1

75 Gallon Cast Iron Receiver for Duplex Pumps

Item #	X = Optional Accessories	Description	Part Number	Qty.
		Receiver	DR0240	1
		Receiver (elevated for CBEM)	DR0620	1
		Suction Piping (for CBEM)	see page 36 & 37	2
		Frame Assembly (for CBEM)	DB0116	1
		Blind Flange (for CBEM)	DF0210	1
		Blind Flange with Air Relief tapping (for CBEM)	DF0211	1
		Blind Flange Air Relief Fitting (for CBEM)	DF0507	1
		Float Switch Mounting Flange	DA0200	1
		Volute to Receiver Gasket	DG0060	2
		Float Switch Flange Gasket	DG0131	1
		Float Switch Flange Mounting Studs	DJ0471	6
		Pipe Plug	F08400	1
		Drain Plug	U19200	1
		Float Switch Flange Nuts	P52380	6
		1/2" Make Up Valve Assembly (115v)	DE0842	1
		Alternate Choice	-OR-	
		1/2" Make Up Valve Assembly (208v & 230v)	DE0845	1
		Nut (Pump Mounting)	F11400	8
		Pipe Plug (2 1/2")	F12200	3
		Make Up Float Switch Assembly	DA0393	1
	X	Butterfly Valves/Low Capacity	DV0094	2
	X	Inlet Basket Strainer Assembly 4"	DA0183	1
	X	Dial Thermometer	DA0101	1
		Alternate Choice	-OR-	
	X	Angle Thermometer	DA0104	1
	X	Gauge Glass Assembly	DV0379	1
	X	Discharge Pressure Gauge Assembly, 0-60 PSI	DA0121	2
		Alternate Choice	-OR-	
	X	Discharge Pressure Gauge Assembly, 61-160 PSI	DA0122	2

75 Gallon Cast Iron Receiver for Simplex Pumps

Item #	X = Optional Accessories	Description	Part Number	Qty.
		Receiver	DR0240	1
		Receiver (elevated for CBEM)	DR0620	1
		Suction Piping (for CBEM)	see page 36 & 37	1
		Frame Assembly (for CBEM)	DB0116	1
		Blind Flange (for CBEM)	DF0210	1
		Blind Flange with Air Relief tapping (for CBEM)	DF0211	1
		Blind Flange Air Relief Fitting (for CBEM)	DF0506	1
		Blind Flange	DF0210	1
		Float Switch Mounting Flange	DA0200	1
		Volute to Receiver Gasket	DG0060	2
		Float Switch Flange Gasket	DG0131	1
		Float Switch Flange Mounting Studs	DJ0471	6
		Stud	DJ0479	4
		Pipe Plug	F08400	1
		Drain Plug	U19200	1
		Pipe Plug	P39020	1
		Float Switch Flange Nuts	P52380	6
		1/2" Make Up Valve Assembly (115v)	DE0842	1
		Alternate Choice	-OR-	
		1/2" Make Up Valve Assembly (208v & 230v)	DE0845	1
		Nut (Pump Mounting)	F11400	8
		Pipe Plug (2 1/2")	F12200	3
		Make Up Float Switch Assembly	DA0393	1
	X	Butterfly Valves/Low Capacity	DV0094	1
	X	Inlet Basket Strainer Assembly 4"	DA0183	1
	X	Dial Thermometer	DA0101	1
		Alternate Choice	-OR-	
	X	Angle Thermometer	DA0104	1
	X	Gauge Glass Assembly	DV0379	1
	X	Discharge Pressure Gauge Assembly, 0-60 PSI	DA0121	1
		Alternate Choice	-OR-	
	X	Discharge Pressure Gauge Assembly, 61-160 PSI	DA0122	1

120 Gallon Cast Iron Receiver for Duplex Pumps

Item #	X = Optional Accessories	Description	Part Number	Qty.
		Receiver	DR0298	1
		Receiver (elevated for CBEM)	DR0626	1
		Suction Piping (for CBEM)	see page 36 & 37	2
		Frame Assembly (for CBEM)	DB0118	1
		Blind Flange (for CBEM)	DF0210	1
		Blind Flange with Air Relief tapping (for CBEM)	DF0211	1
		Blind Flange Air Relief Fitting (for CBEM)	DF0507	1
		Float Switch Mounting Flange	DA0200	1
		Volute to Receiver Gasket	DG0060	2
		Float Switch Flange Gasket	DG0131	1
		Float Switch Flange Mounting Studs	DJ0471	6
		Pipe Plug	F08400	1
		Drain Plug	U19200	1
		Float Switch Flange Nuts	P52380	6
		3/4" Make Up Valve Assembly (115v)	DE0849	1
		Alternate Choice	-OR-	
		3/4" Make Up Valve Assembly (208v & 230v)	DE0851	1
		Nut (Pump Mounting)	F11400	8
		Pipe Plug (2 1/2")	F12200	3
		Make Up Float Switch Assembly	DA0393	1
	X	Butterfly Valves/Low Capacity	DV0094	2
	X	Inlet Basket Strainer Assembly 4"	DA0183	1
	X	Dial Thermometer	DA0101	1
		Alternate Choice	-OR-	
	X	Angle Thermometer	DA0104	1
	X	Gauge Glass Assembly	DV0381	1
	X	Discharge Pressure Gauge Assembly, 0-60 PSI	DA0121	2
		Alternate Choice	-OR-	
	X	Discharge Pressure Gauge Assembly, 61-160 PSI	DA0122	2

120 Gallon Cast Iron Receiver for Simplex Pumps

Item #	X = Optional Accessories	Description	Part Number	Qty.
		Receiver	DR0298	1
		Receiver (elevated for CBEM)	DR0626	1
		Suction Piping (for CBEM)	see page 36 & 37	1
		Frame Assembly (for CBEM)	DB0118	1
		Blind Flange (for CBEM)	DF0210	1
		Blind Flange with Air Relief tapping (for CBEM)	DF0211	1
		Blind Flange Air Relief Fitting (for CBEM)	DF0506	1
		Blind Flange	DF0210	1
		Float Switch Mounting Flange	DA0200	1
		Volute to Receiver Gasket	DG0060	2
		Float Switch Flange Gasket	DG0131	1
		Float Switch Flange Mounting Studs	DJ0471	6
		Stud	DJ0479	4
		Pipe Plug	F08400	1
		Drain Plug	U19200	1
		Pipe Plug	P39020	1
		Float Switch Flange Nuts	P52380	6
		3/4" Make Up Valve Assembly (115v)	DE0849	1
		Alternate Choice	-OR-	
		3/4" Make Up Valve Assembly (208v & 230v)	DE0851	1
		Nut (Pump Mounting)	F11400	8
		Pipe Plug (2 1/2")	F12200	3
		Make Up Float Switch Assembly	DA0393	1
	X	Butterfly Valves/Low Capacity	DV0094	1
	X	Inlet Basket Strainer Assembly 4"	DA0183	1
	X	Dial Thermometer	DA0101	1
		Alternate Choice	-OR-	
	X	Angle Thermometer	DA0104	1
	X	Gauge Glass Assembly	DV0381	1
	X	Discharge Pressure Gauge Assembly, 0-60 PSI	DA0121	1
		Alternate Choice	-OR-	
	X	Discharge Pressure Gauge Assembly, 61-160 PSI	DA0122	1

250 Gallon Cast Iron Receiver for Duplex Pumps

Item #	X = Optional Accessories	Description	Part Number	Qty.
		Receiver	DR0308	1
		Receiver (elevated for CBEM)	DR0315	1
		Suction Piping (for CBEM)	see page 36 & 37	2
		Frame Assembly (for CBEM)	DB0119	1
		Blind Flange (for CBEM)	DF0210	1
		Blind Flange with Air Relief tapping (for CBEM)	DF0211	1
		Blind Flange Air Relief Fitting (for CBEM)	DF0507	1
		Float Switch Mounting Flange	not applicable	–
		Volute to Receiver Gasket	DG0060	4
		Float Switch Flange Gasket	not applicable	–
		Float Switch Flange Mounting Studs	not applicable	–
		Pipe Plug	F08400	1
		Drain Plug	U19200	2
		Float Switch Flange Nuts	not applicable	–
		3/4" Make Up Valve Assembly (115v)	DE0849	1
		Alternate Choice	–OR–	
		3/4" Make Up Valve Assembly (208v & 230v)	DE0851	1
		Nut (Pump Mounting)	F11400	16
		Pipe Plug (2 1/2")	F12200	4
		Blind Flange	DF0210	2
		Blind Flange Mounting Studs	DJ0479	8
		Bushing	DF0055	1
		Pipe Plug 1/2"	H47900	1
		Pipe Plug 4"	P38880	2
		Make Up Float Switch Assembly	DA0393	1
	X	Butterfly Valves/Low Capacity	DV0094	2
		Alternate Choice	–OR–	
	X	Butterfly Valves/High Capacity	DV0095	2
	X	Inlet Basket Strainer Assembly 4"	DA0183	1
	X	Dial Thermometer	DA0101	1
		Alternate Choice	–OR–	
	X	Angle Thermometer	DA0104	1
	X	Gauge Glass Assembly	DV0382	1
	X	Discharge Pressure Gauge Assembly, 0-60 PSI	DA0121	2
		Alternate Choice	–OR–	
	X	Discharge Pressure Gauge Assembly, 61-160 PSI	DA0122	2

250 Gallon Cast Iron Receiver for Simplex Pumps

Item #	X = Optional Accessories	Description	Part Number	Qty.
		Receiver	DR0308	1
		Receiver (elevated for CBEM)	DR0315	1
		Suction Piping (for CBEM)	see page 36 & 37	1
		Frame Assembly (for CBEM)	DB0119	1
		Blind Flange (for CBEM)	DF0210	1
		Blind Flange with Air Relief tapping (for CBEM)	DF0211	1
		Blind Flange Air Relief Fitting (for CBEM)	DF0506	1
		Float Switch Mounting Flange	not applicable	–
		Volute to Receiver Gasket	DG0060	4
		Float Switch Flange Gasket	not applicable	–
		Float Switch Flange Mounting Studs	not applicable	–
		Pipe Plug	F08400	1
		Drain Plug	U19200	2
		Float Switch Flange Nuts	not applicable	–
		3/4" Make Up Valve Assembly (115v)	DE0849	1
		Alternate Choice	–OR–	
		3/4" Make Up Valve Assembly (208v & 230v)	DE0851	1
		Nut (Pump Mounting)	F11400	16
		Pipe Plug (2 1/2")	F12200	4
		Blind Flange	DF0210	3
		Blind Flange Mounting Studs	DJ0479	12
		Bushing	DF0055	1
		Pipe Plug 1 1/2"	H47900	1
		Pipe Plug 4"	P38880	2
		Pipe Plug	P39020	1
		Make Up Float Switch Assembly	DA0393	1
	X	Butterfly Valves/Low Capacity	DV0094	1
		Alternate Choice	–OR–	
		Butterfly Valves/High Capacity	DV0095	1
	X	Inlet Basket Strainer Assembly 4"	DA0183	1
	X	Dial Thermometer	DA0101	1
		Alternate Choice	–OR–	
	X	Angle Thermometer	DA0104	1
	X	Gauge Glass Assembly	DV0382	1
	X	Discharge Pressure Gauge Assembly, 0-60 PSI	DA0121	2
		Alternate Choice	–OR–	
	X	Discharge Pressure Gauge Assembly, 61-160 PSI	DA0122	2

23 Gallon Steel Receiver for Duplex Pumps

Item #	X = Optional Accessories	Description	Part Number	Qty.
		Receiver	DT0775	1
		Volute to Receiver Gasket	DG0060	2
		Stud	DJ0478	4
		Pipe Plug	F08400	1
		Drain Plug	U19200	1
		Pipe Plug (see footnote #1 below)	P39040	2
		1/2" Make Up Valve Assembly (115v)	DE0842	1
		Alternate Choice	-OR-	
		1/2 " Make Up Valve Assembly (208v & 230v)	DE0845	1
		Nut (Pump Mounting)	F11400	8
		Pipe Plug (2 1/2")	F12200	1
		Make Up Float Switch Assembly	DA0393	1
	X	Butterfly Valves/Low Capacity	DV0094	2
	X	Inlet Basket Strainer Assembly 2"	DA0180	1
	X	Dial Thermometer	DA0101	1
		Alternate Choice	-OR-	
	X	Angle Thermometer	DA0104	1
	X	Gauge Glass Assembly	DV0369	1
	X	Discharge Pressure Gauge Assembly, 0-60 PSI	DA0121	2
		Alternate Choice	-OR-	
	X	Discharge Pressure Gauge Assembly, 61-160 PSI	DA0122	2

For use on units with 609 PF (C35) Pumps. Not required for all other C35 or C17 Pump Combinations.

23 Gallon Steel Receiver for Simplex Pumps

Item #	X = Optional Accessories	Description	Part Number	Qty.
		Receiver	DT0775	1
		Blind Flange	DF0210	1
		Volute to Receiver Gasket	DG0060	2
		Stud	DJ0478	4
		Pipe Plug	F08400	1
		Drain Plug	U19200	1
		Pipe Plug (see footnote #1 below)	P39040	2
		1/2" Make Up Valve Assembly (115v)	DE0842	1
		Alternate Choice	-OR-	
		1/2 " Make Up Valve Assembly (208v & 230v)	DE0845	1
		Nut (Pump Mounting)	F11400	8
		Pipe Plug (2 1/2")	F12200	1
		Make Up Float Switch Assembly	DA0393	1
	X	Butterfly Valves/Low Capacity	DV0094	1
	X	Inlet Basket Strainer Assembly 2"	DA0180	1
	X	Dial Thermometer	DA0101	1
		Alternate Choice	-OR-	
	X	Angle Thermometer	DA0104	1
	X	Gauge Glass Assembly	DV0369	1
	X	Discharge Pressure Gauge Assembly, 0-60 PSI	DA0121	1
		Alternate Choice	-OR-	
	X	Discharge Pressure Gauge Assembly, 61-160 PSI	DA0122	2

For use on units with 609 PF (C35) Pumps. Not required for all other C35 or C17 Pump Combinations.

36 Gallon Steel Receiver for Duplex Pumps

Item #	X = Optional Accessories	Description	Part Number	Qty.
		Receiver	DT0778	1
		Volute to Receiver Gasket	DG0060	2
		Pipe Plug	F08400	1
		Drain Plug	U19200	1
		Pipe Plug (see footnote #1 below)	P39040	2
		1/2" Make Up Valve Assembly (115v)	DE0842	1
		Alternate Choice	-OR-	
		1/2 " Make Up Valve Assembly (208v & 230v)	DE0845	1
		Nut (Pump Mounting)	F11400	8
		Pipe Plug (2 1/2")	F12200	1
		Make Up Float Switch Assembly	DA0393	1
	X	Butterfly Valves/Low Capacity	DV0094	2
	X	Inlet Basket Strainer Assembly 3"	DA0182	1
	X	Dial Thermometer	DA0101	1
		Alternate Choice	-OR-	
	X	Angle Thermometer	DA0104	1
	X	Gauge Glass Assembly	DV0374	1
	X	Discharge Pressure Gauge Assembly, 0-60 PSI	DA0121	2
		Alternate Choice	-OR-	
	X	Discharge Pressure Gauge Assembly, 61-160 PSI	DA0122	2

For use on units with 609 PF (C35) Pumps. Not required for all other C35 or C17 Pump Combinations.

36 Gallon Steel Receiver for Simplex Pumps

Item #	X = Optional Accessories	Description	Part Number	Qty.
		Receiver	DT0778	1
		Blind Flange	DF0210	1
		Volute to Receiver Gasket	DG0060	2
		Stud	DJ0479	4
		Pipe Plug	F08400	1
		Drain Plug	U19200	1
		Pipe Plug (see footnote #1 below)	P39040	2
		1/2" Make Up Valve Assembly (115v)	DE0842	1
		Alternate Choice	-OR-	
		1/2 " Make Up Valve Assembly (208v & 230v)	DE0845	1
		Nut (Pump Mounting)	F11400	8
		Pipe Plug (2 1/2")	F12200	1
		Make Up Float Switch Assembly	DA0393	1
	X	Butterfly Valves/Low Capacity	DV0094	1
	X	Inlet Basket Strainer Assembly 3"	DA0182	1
	X	Dial Thermometer	DA0101	1
		Alternate Choice	-OR-	
	X	Angle Thermometer	DA0104	1
	X	Gauge Glass Assembly	DV0374	1
	X	Discharge Pressure Gauge Assembly, 0-60 PSI	DA0121	1
		Alternate Choice	-OR-	
	X	Discharge Pressure Gauge Assembly, 61-160 PSI	DA0122	1

For use on units with 609 PF (C35) Pumps. Not required for all other C35 or C17 Pump Combinations.

52 Gallon Steel Receiver for Duplex Pumps

Item #	X = Optional Accessories	Description	Part Number	Qty.
		Receiver	DT0781	1
		Volute to Receiver Gasket	DG0060	2
		Pipe Plug	F08400	1
		Drain Plug	U19200	1
		Pipe Plug (see footnote #1 below)	P39040	2
		1/2" Make Up Valve Assembly (115v)	DE0842	1
		Alternate Choice	-OR-	
		1/2 " Make Up Valve Assembly (208v & 230v)	DE0845	1
		Nut (Pump Mounting)	F11400	8
		Pipe Plug (2 1/2")	F12200	1
		Make Up Float Switch Assembly	DA0393	1
	X	Butterfly Valves/Low Capacity	DV0094	2
	X	Inlet Basket Strainer Assembly 3"	DA0182	1
	X	Dial Thermometer	DA0101	1
		Alternate Choice	-OR-	
	X	Angle Thermometer	DA0104	1
	X	Gauge Glass Assembly	DV0376	1
	X	Discharge Pressure Gauge Assembly, 0-60 PSI	DA0121	2
		Alternate Choice	-OR-	
	X	Discharge Pressure Gauge Assembly, 61-160 PSI	DA0122	2

For use on units with 609 PF (C35) Pumps. Not required for all other C35 or C17 Pump Combinations.

52 Gallon Steel Receiver for Simplex Pumps

Item #	X = Optional Accessories	Description	Part Number	Qty.
		Receiver	DT0781	1
		Blind Flange	DF0210	1
		Volute to Receiver Gasket	DG0060	2
		Stud	DJ0479	4
		Pipe Plug	F08400	1
		Drain Plug	U19200	1
		Pipe Plug (see footnote #1 below)	P39040	2
		1/2" Make Up Valve Assembly (115v)	DE0842	1
		Alternate Choice	-OR-	
		1/2 " Make Up Valve Assembly (208v & 230v)	DE0845	1
		Nut (Pump Mounting)	F11400	8
		Pipe Plug (2 1/2")	F12200	1
		Make Up Float Switch Assembly	DA0393	1
	X	Butterfly Valves/Low Capacity	DV0094	1
	X	Inlet Basket Strainer Assembly 3"	DA0182	1
	X	Dial Thermometer	DA0101	1
		Alternate Choice	-OR-	
	X	Angle Thermometer	DA0104	1
	X	Gauge Glass Assembly	DV0376	1
	X	Discharge Pressure Gauge Assembly, 0-60 PSI	DA0121	1
		Alternate Choice	-OR-	
	X	Discharge Pressure Gauge Assembly, 61-160 PSI	DA0122	1

For use on units with 609 PF (C35) Pumps. Not required for all other C35 or C17 Pump Combinations.

75 Gallon Steel Receiver for Duplex Pumps

Item #	X = Optional Accessories	Description	Part Number	Qty.
		Receiver	DT0784	1
		Volute to Receiver Gasket	DG0060	2
		Pipe Plug	F08400	1
		Drain Plug	U19200	1
		Pipe Plug (see footnote #1 below)	P39040	2
		1/2" Make Up Valve Assembly (115v)	DE0842	1
		Alternate Choice	-OR-	
		1/2 " Make Up Valve Assembly (208v & 230v)	DE0845	1
		Nut (Pump Mounting)	F11400	8
		Pipe Plug (2 1/2")	F12200	1
		Make Up Float Switch Assembly	DA0393	1
	X	Butterfly Valves/Low Capacity	DV0094	2
	X	Inlet Basket Strainer Assembly 4"	DA0183	1
	X	Dial Thermometer	DA0101	1
		Alternate Choice	-OR-	
	X	Angle Thermometer	DA0104	1
	X	Gauge Glass Assembly	DV0379	1
	X	Discharge Pressure Gauge Assembly, 0-60 PSI	DA0121	2
		Alternate Choice	-OR-	
	X	Discharge Pressure Gauge Assembly, 61-160 PSI	DA0122	2

For use on units with 609 PF (C35) Pumps. Not required for all other C35 or C17 Pump Combinations.

75 Gallon Steel Receiver for Simplex Pumps

Item #	X = Optional Accessories	Description	Part Number	Qty.
		Receiver	DT0784	1
		Blind Flange	DF0210	1
		Volute to Receiver Gasket	DG0060	2
		Stud	DJ0479	4
		Pipe Plug	F08400	1
		Drain Plug	U19200	1
		Pipe Plug (see footnote #1 below)	P39040	2
		1/2" Make Up Valve Assembly (115v)	DE0842	1
		Alternate Choice	-OR-	
		1/2 " Make Up Valve Assembly (208v & 230v)	DE0845	1
		Nut (Pump Mounting)	F11400	8
		Pipe Plug (2 1/2")	F12200	1
		Make Up Float Switch Assembly	DA0393	1
	X	Butterfly Valves/Low Capacity	DV0094	1
	X	Inlet Basket Strainer Assembly 4"	DA0183	1
	X	Dial Thermometer	DA0101	1
		Alternate Choice	-OR-	
	X	Angle Thermometer	DA0104	1
	X	Gauge Glass Assembly	DV0379	1
	X	Discharge Pressure Gauge Assembly, 0-60 PSI	DA0121	1
		Alternate Choice	-OR-	
	X	Discharge Pressure Gauge Assembly, 61-160 PSI	DA0122	1

For use on units with 609 PF (C35) Pumps. Not required for all other C35 or C17 Pump Combinations.

120 Gallon Steel Receiver for Duplex Pumps

Item #	X = Optional Accessories	Description	Part Number	Qty.
		Receiver	DT0787	1
		Volute to Receiver Gasket	DG0060	2
		Pipe Plug	F08400	1
		Drain Plug	U19200	1
		Pipe Plug (see footnote #1 below)	P39040	2
		1/2" Make Up Valve Assembly (115v)	DE0842	1
		Alternate Choice	-OR-	
		1/2 " Make Up Valve Assembly (208v & 230v)	DE0845	1
		Nut (Pump Mounting)	F11400	8
		Pipe Plug (2 1/2")	F12200	1
		Make Up Float Switch Assembly	DA0393	1
	X	Butterfly Valves/Low Capacity	DV0094	2
	X	Inlet Basket Strainer Assembly 4"	DA0183	1
	X	Dial Thermometer	DA0101	1
		Alternate Choice	-OR-	
	X	Angle Thermometer	DA0104	1
	X	Gauge Glass Assembly	DV0381	1
	X	Discharge Pressure Gauge Assembly, 0-60 PSI	DA0121	2
		Alternate Choice	-OR-	
	X	Discharge Pressure Gauge Assembly, 61-160 PSI	DA0122	2

For use on units with 609 PF (C35) Pumps. Not required for all other C35 or C17 Pump Combinations.

120 Gallon Steel Receiver for Simplex Pumps

Item #	X = Optional Accessories	Description	Part Number	Qty.
		Receiver	DT0787	1
		Blind Flange	DF0210	1
		Volute to Receiver Gasket	DG0060	2
		Pipe Plug	F08400	1
		Drain Plug	U19200	1
		Pipe Plug (see footnote #1 below)	P39040	2
		1/2" Make Up Valve Assembly (115v)	DE0842	1
		Alternate Choice	-OR-	
		1/2 " Make Up Valve Assembly (208v & 230v)	DE0845	1
		Nut (Pump Mounting)	F11400	8
		Pipe Plug (2 1/2")	F12200	2
		Make Up Float Switch Assembly	DA0393	1
	X	Butterfly Valves/Low Capacity	DV0094	1
	X	Inlet Basket Strainer Assembly 4"	DA0183	1
	X	Dial Thermometer	DA0101	1
		Alternate Choice	-OR-	
	X	Angle Thermometer	DA0104	1
	X	Gauge Glass Assembly	DV0381	1
	X	Discharge Pressure Gauge Assembly, 0-60 PSI	DA0121	1
		Alternate Choice	-OR-	
	X	Discharge Pressure Gauge Assembly, 61-160 PSI	DA0122	1

For use on units with 609 PF (C35) Pumps. Not required for all other C35 or C17 Pump Combinations.

250 Gallon Steel Receiver for Duplex Pumps

Item #	X = Optional Accessories	Description	Part Number	Qty.
		Receiver	DT0416	1
		Volute to Receiver Gasket	DG0060	2
		Pipe Plug	F08400	1
		Drain Plug	U19200	1
		Pipe Plug (see footnote #1 below)	P39040	2
		1/2" Make Up Valve Assembly (115v)	DE0842	1
		Alternate Choice	-OR-	
		1/2 " Make Up Valve Assembly (208v & 230v)	DE0845	1
		Nut (Pump Mounting)	F11400	8
		Pipe Plug (2 1/2")	F12200	1
		Make Up Float Switch Assembly	DA0393	1
	X	Butterfly Valves/Low Capacity	DV0094	2
	X	Inlet Basket Strainer Assembly 4"	DA0183	1
	X	Dial Thermometer	DA0101	1
		Alternate Choice	-OR-	
	X	Angle Thermometer	DA0104	1
	X	Gauge Glass Assembly	DV0382	1
	X	Discharge Pressure Gauge Assembly, 0-60 PSI	DA0121	2
		Alternate Choice	-OR-	
	X	Discharge Pressure Gauge Assembly, 61-160 PSI	DA0122	2

For use on units with 609 PF (C35) Pumps. Not required for all other C35 or C17 Pump Combinations.

250 Gallon Steel Receiver for Simplex Pumps

Item #	X = Optional Accessories	Description	Part Number	Qty.
		Receiver	DT0416	1
		Volute to Receiver Gasket	DG0060	2
		Pipe Plug	F08400	1
		Drain Plug	U19200	1
		Pipe Plug (see footnote #1 below)	P39040	2
		1/2" Make Up Valve Assembly (115v)	DE0842	1
		Alternate Choice	-OR-	
		1/2 " Make Up Valve Assembly (208v & 230v)	DE0845	1
		Nut (Pump Mounting)	F11400	8
		Pipe Plug (2 1/2")	F12200	2
		Make Up Float Switch Assembly	DA0393	1
	X	Butterfly Valves/Low Capacity	DV0094	1
	X	Inlet Basket Strainer Assembly 4"	DA0183	1
	X	Dial Thermometer	DA0101	1
		Alternate Choice	-OR-	
	X	Angle Thermometer	DA0104	1
	X	Gauge Glass Assembly	DV0382	1
	X	Discharge Pressure Gauge Assembly, 0-60 PSI	DA0121	1
		Alternate Choice	-OR-	
	X	Discharge Pressure Gauge Assembly, 61-160 PSI	DA0122	1

For use on units with 609 PF (C35) Pumps. Not required for all other C35 or C17 Pump Combinations.

Accessories Detail

Butterfly Valve Assembly (small)	DV0094	Qty.
Gasket	DG0060	1
Stud	DJ0482	4
Isolation Valve	DV1098	1
Hex Nut	F11400	4

Butterfly Valve Assembly (large)	DV0095	Qty.
Gasket	DG0060	1
Stud	DJ0483	4
Isolation Valve	DV1099	1
Hex Nut	F11400	4

Discharge Pressure Gauge Assembly	DA0121	Qty.
Pressure Gauge	DA0113	1
Elbow	DF0161	1
Nipple	DL0022	1
Gage Cock	DV0325	1

Discharge Pressure Gauge Assembly	DA0122	Qty.
Pressure Gauge	DA0110	1
Elbow	DF0161	1
Nipple	DL0022	1
Gage Cock	DV0325	1
1/4" Cock, NPT	S11657	1
Gage Cock	DV0325	1

Gauge Glass Assembly	Gauge Glass Holder	Glass Only	Guard Rods (2 req.)
DV0369 (for 23 Gallon Receiver)	DV0343	DV0347	DV0367
DV0374 (for 36 Gallon Receiver)	DV0343	DV0350	DV0368
DV0376 (for 52 Gallon Receiver)	DV0342	DV0351	DV0383
DV0379 (for 75 Gallon Receiver)	DV0343	DV0354	DV0384
DV0381 (for 120 Gallon Receiver)	DV0343	DV0356	DV0384
DV0382 (for 250 Gallon Receiver)	DV0343	DV0357	DV0384

2" Inlet Basket Strainer Assembly	DA0180	Qty.
Strainer Body	DA0004	1
Strainer Screen	DA0016	1
Strainer Cover	DA0022	1
Cover Gasket	DG0160	1
Capscrew	DJ0066	4
Plug	H47900	2

3" Inlet Basket Strainer Assembly	DA0182	Qty.
Strainer Body	DA0006	1
Strainer Screen	DA0018	1
Strainer Cover	DA0022	1
Cover Gasket	DG0160	1
Capscrew	DJ0066	4
Plug	H47900	2

4" Inlet Basket Strainer Assembly	DA0183	Qty.
Strainer Body	DA0008	1
Strainer Screen	DA0019	1
Strainer Cover	DA0024	1
Cover Gasket	DG0161	1
Capscrew	DJ0066	6
Plug	H47900	2

Make up Assemblies

1/2" Make Up Valve Assembly (115V)	DE0842	Qty.
"Y" Strainer	DA0031	1
Nipple	DL0054	2
Nipple	DL0062	1
Bushing	J89429	1
Elbow	P22010	1
Solenoid Valve Assembly	DV1227	1

1/2" Make Up Valve Assembly (230V)	DE0845	Qty.
"Y" Strainer	DA0031	1
Nipple	DL0054	2
Nipple	DL0062	1
Bushing	J89429	1
Elbow	P22010	1
Solenoid Valve Assembly	DV1228	1

3/4" Make Up Valve Assembly (115V)	DE0849	Qty.
"Y" Strainer	DA0032	1
Bushing	DF0017	1
Nipple	DL0221	1
Elbow	P22610	1
Nipple	S37500	2
Solenoid Valve Assembly	DV1229	1

3/4" Make Up Valve Assembly (230V)	DE0851	Qty.
"Y" Strainer	DA0032	1
Bushing	DF0017	1
Nipple	DL0221	1
Bushing	P22610	1
Elbow	S37500	2
Solenoid Valve Assembly	DV1230	1

1" Make Up Valve Assembly (115V)	DE0830	Qty.
"Y" Strainer	DA0033	1
Bushing	DL0253	1
Nipple	P19740	1
Elbow	P23150	1
Nipple	S35100	2
Solenoid Valve Assembly	DV1231	1

1" Make Up Valve Assembly (230V)	DE0832	Qty.
"Y" Strainer	DA0033	1
Nipple	DL0253	1
Nipple	P19740	1
Bushing	P23150	1
Elbow	S35100	2
Solenoid Valve Assembly	DV1232	1

1 1/4" Make Up Valve Assembly (115V)	DE0838	Qty.
"Y" Strainer	DA0034	1
Nipple	DL0270	1
Elbow	P23610	1
Nipple	S36560	1
Solenoid Valve Assembly	DV1233	2

1 1/4" Make Up Valve Assembly (230V)	DE0840	Qty.
"Y" Strainer	DA0034	1
Nipple	DL0270	1
Elbow	P23610	1
Nipple	S36560	1
Solenoid Valve Assembly	DV1234	2

3 Valve Bypass Assembly

1/2" Make Up w/ 3 Valve Bypass (208/230V)		
	DE0846	Qty.
Y Strainer	DA0031	1
Nipple	DL0054	12
Nipple	DL0058	1
Nipple	DL0062	2
Globe Valve	DV1001	1
Ball Valve	DV1101	2
Bushing	J89429	1
Union	P21840	4
Tee	P21880	2
Elbow	P22010	3
Solenoid Valve Assembly	DV1225	1

1/2" Make Up w/ 3 Valve Bypass (115V)		
	DE0843	Qty.
Y Strainer	DA0031	1
Nipple	DL0054	12
Nipple	DL0058	1
Nipple	DL0062	2
Globe Valve	DV1001	1
Ball Valve	DV1101	2
Bushing	J89429	1
Union	P21840	4
Tee	P21880	2
Elbow	P22010	3
Solenoid Valve Assembly	DV1227	1

3/4" Make Up w/ 3 Valve Bypass (208/230V)		
	DE0852	Qty.
Y Strainer	DA0032	1
Bushing	DF0017	1
Nipple	DL0072	1
Nipple	DL0220	1
Globe Valve	DV1002	1
Ball Valve	DV1102	2
Nipple	J89297	1
Union	P22340	4
Tee	P22430	2
Elbow	P22610	3
Nipple	S37500	12
Solenoid Valve Assembly	DV1230	1

3/4" Make Up w/ 3 Valve Bypass (115V)		
	DE0850	Qty.
Y Strainer	DA0032	1
Bushing	DF0017	1
Nipple	DL0072	1
Nipple	DL0220	1
Globe Valve	DV1002	1
Ball Valve	DV1102	2
Nipple	J89297	1
Union	P22340	4
Tee	P22430	2
Elbow	P22610	3
Nipple	S37500	12
Solenoid Valve Assembly	DV1229	1

1" Make Up w/ 3 Valve Bypass (208/230)		
	DE0833	Qty.
Y Strainer	DA0033	1
Nipple	DL0081	12
Nipple	DL0085	1
Nipple	DL0250	1
Globe Valve	DV1003	1
Ball Valve	DV1103	2
Nipple	J89307	1
Bushing	P19740	1
Union	P22960	4
Elbow	P23150	3
Tee	S01840	2
Solenoid Valve Assembly	DV1232	1

1" Make Up w/ 3 Valve Bypass (115V)		
	DE0831	Qty.
Y Strainer	DA0033	1
Nipple	DL0081	12
Nipple	DL0085	1
Nipple	DL0250	1
Globe Valve	DV1003	1
Ball Valve	DV1103	2
Nipple	J89307	1
Bushing	P19740	1
Union	P22960	4
Elbow	P23150	3
Tee	S01840	2
Solenoid Valve Assembly	DV1231	1

1 1/4" Make Up w/ 3 Valve Bypass (208/230V)		
	DE0841	Qty.
Y Strainer	DA0034	1
Nipple	DL0104	1
Nipple	DL0274	1
Globe Valve	DV1004	1
Gate Valve	DV1014	2
Nipple	J89314	1
Union	P23400	4
Elbow	P23610	3
Tee	S02300	2
Nipple	S36560	12
Solenoid Valve Assembly	DV1234	1

1 1/4" Make Up w/ 3 Valve Bypass (115V)		
	DE0839	Qty.
Y Strainer	DA0034	1
Nipple	DL0104	1
Nipple	DL0274	1
Globe Valve	DV1004	1
Gate Valve	DV1014	2
Nipple	J89314	1
Union	P23400	4
Elbow	P23610	3
Tee	S02300	2
Nipple	S36560	12
Solenoid Valve Assembly	DV1233	1

1 1/2" Elevated Suction Piping

Item #	Description	Part Number	Qty.
	1 1/2" Suction Line for 23 gal receiver	DL2101	
1	Bushing	not applicable	
2	Bushing	not applicable	
3	Nipple	J89377	1
4	Gate Valve	S77554	1
5	Nipple		1
6	Dresser Elbow	DF0123	1
7	Pipe (threaded one end)	X42702	1
8	Suction Flange	DP0948	1
9	Nut	F11400	2
10	Capscrew	P45110	2

Item #	Description	Part Number	Qty.
	1 1/2" Suction Line for 36 gal receiver	DL2102	
1	Bushing	DF0034	1
2	Bushing	not applicable	
3	Nipple	J89377	1
4	Gate Valve	S77554	1
5	Nipple		1
6	Dresser Elbow	DF0123	1
7	Pipe (threaded one end)	X42702	1
8	Suction Flange	DP0948	1
9	Nut	F11400	2
10	Capscrew	P45110	2

Item #	Description	Part Number	Qty.
	1 1/2" Suction Line for 52 gal receiver	DL2103	
1	Bushing	DF0040	1
2	Bushing	not applicable	
3	Nipple	J89377	1
4	Gate Valve	S77554	1
5	Nipple		1
6	Dresser Elbow	DF0123	1
7	Pipe (threaded one end)	X42702	1
8	Suction Flange	DP0948	1
9	Nut	F11400	2
10	Capscrew	P45110	2

Item #	Description	Part Number	Qty.
	1 1/2" Suction Line for 75 gal receiver	DL2104	
1	Bushing	DF0034	1
2	Bushing	J89430	1
3	Nipple	J89377	1
4	Gate Valve	S77554	1
5	Nipple		1
6	Dresser Elbow	DF0123	1
7	Pipe (threaded one end)	X42702	1
8	Suction Flange	DP0948	1
9	Nut	F11400	2
10	Capscrew	P45110	2

Item #	Description	Part Number	Qty.
	1 1/2" Suction Line for 120 gal receiver	DL2105	
1	Bushing	DF0046	1
2	Bushing	DF0055	1
3	Nipple	J89377	1
4	Gate Valve	S77554	1
5	Nipple		1
6	Dresser Elbow	DF0123	1
7	Pipe (threaded one end)	X42702	1
8	Suction Flange	DP0948	1
9	Nut	F11400	2
10	Capscrew	P45110	2

Item #	Description	Part Number	Qty.
	1 1/2" Suction Line for 250 gal receiver	DL2106	
1	Bushing	DF0046	1
2	Bushing	DF0055	1
3	Nipple	J89377	1
4	Gate Valve	S77554	1
5	Nipple		1
6	Dresser Elbow	DF0123	1
7	Pipe (threaded one end)	X42702	1
8	Suction Flange	DP0948	1
9	Nut	F11400	2
10	Capscrew	P45110	2

2" Elevated Suction Piping

Item #	Description	Part Number	Qty.
	2" Suction Line for 36 gal receiver	DL2107	
1	Bushing	not applicable	
2	Bushing	not applicable	
3	Nipple	S38120	1
4	Gate Valve	S77555	1
5	Nipple		1
6	Dresser Elbow	DF0124	1
7	Pipe (threaded one end)	X42706	1
8	Suction Flange	DP0998	1
9	Nut	F11400	2
10	Capscrew	P45110	2

Item #	Description	Part Number	Qty.
	2" Suction Line for 52 gal receiver	DL2108	
1	Bushing	DF0041	1
2	Bushing	not applicable	
3	Nipple	S38120	1
4	Gate Valve	S77555	1
5	Nipple		1
6	Dresser Elbow	DF0124	1
7	Pipe (threaded one end)	X42706	1
8	Suction Flange	DP0998	1
9	Nut	F11400	2
10	Capscrew	P45110	2

Item #	Description	Part Number	Qty.
	2" Suction Line for 75 gal receiver	DL2109	
1	Bushing	J89430	1
2	Bushing	not applicable	
3	Nipple	S38120	1
4	Gate Valve	S77555	1
5	Nipple		1
6	Dresser Elbow	DF0124	1
7	Pipe (threaded one end)	X42706	1
8	Suction Flange	DP0998	1
9	Nut	F11400	2
10	Capscrew	P45110	2

Item #	Description	Part Number	Qty.
	2" Suction Line for 120 gal receiver	DL2110	
1	Bushing	J89430	1
2	Bushing	DF0055	1
3	Nipple	S38120	1
4	Gate Valve	S77555	1
5	Nipple		1
6	Dresser Elbow	DF0124	1
7	Pipe (threaded one end)	X42706	1
8	Suction Flange	DP0998	1
9	Nut	F11400	2
10	Capscrew	P45110	2

Item #	Description	Part Number	Qty.
	2" Suction Line for 250 gal receiver	DL2111	
1	Bushing	J89430	1
2	Bushing	DF0055	1
3	Nipple	S38120	1
4	Gate Valve	S77555	1
5	Nipple		1
6	Dresser Elbow	DF0124	1
7	Pipe (threaded one end)	X42706	1
8	Suction Flange	DP0998	1
9	Nut	F11400	2
10	Capscrew	P45110	2

Xylem |'zīləm|

- 1) The tissue in plants that brings water upward from the roots;
- 2) a leading global water technology company.

We're 12,700 people unified in a common purpose: creating innovative solutions to meet our world's water needs. Developing new technologies that will improve the way water is used, conserved, and re-used in the future is central to our work. We move, treat, analyze, and return water to the environment, and we help people use water efficiently, in their homes, buildings, factories and farms. In more than 150 countries, we have strong, long-standing relationships with customers who know us for our powerful combination of leading product brands and applications expertise, backed by a legacy of innovation.

For more information on how Xylem can help you, go to www.xylem.com



Xylem Inc.
8200 N. Austin Avenue
Morton Grove, Illinois 60053
Phone: (847) 966-3700
Fax: (847) 965-8379
www.bellgossett.com