

PART LISTS

DHP-410H-PL



Replacement Parts for Domestic® Pump or Hoffman Specialty® Centriflo®

Series C-17™ - 1750 RPM Pumps & Series C-35™ - 3500 RPM Pumps
with Mechanical Seals
Styles PF and PVF



Bell & Gossett

a xylem brand

Index

How to Use this Parts List	Page 3
A Word About Obsolete Pumps	Page 4
Typical Cut-Away View of the 609 PF (1 & 3 Phase)	Page 5
Typical Cut-Away View of C-35 Pump and Motor Assembly .	Page 6
Typical Cut-Away View of C-17 Pump and Motor Assembly .	Page 7
Series Pump Combination Motor RPM	
C-35 609 PF 3500	Page 8
C-35 613 PF 3500	Page 8
C-35 614 PF 3500	Page 8
C-35 616 PF 3500	Page 8
C-35 617 PF 3500	Page 8
C-35 618 PF 3500	Page 8
C-35 620 PF 3500	Page 9
C-35 625 PF 3500	Page 9
C-35 626 PF 3500	Page 9
C-35 627 PF 3500	Page 9
C-17 650 PF 1750	Page 10
C-17 651 PF 1750	Page 10
C-17 654 PF 1750	Page 10
C-17 658 PF 1750	Page 11
C-17 659 PF 1750	Page 11
C-17 665 PF 1750	Page 11
C-17 673 PF 1750	Page 11
Suction Flanges (PVF Components) All Pump Sizes	Page 12
Replacement Motor Selection Table	Page 13
Shaft Extension Mounting Dimensions	Page 14

How to use this PARTS LIST

The unit nameplate identifies the pump by its pump combination number. Specific pump information is determined by identifying both the pump combination and the motor horsepower which is noted on the motor nameplate.

All model numbers identify the following information:

DOMESTIC™		
SERIES CC™		
MODEL 93CC		
SERIAL QD XXXX - XXXX		
GPM 9	PSI 30	PUMP 616
CFM	IN. HG.	PUMP
DWGS		
POWER V. 460	PH. 3	HZ 60
CONTROL V. 115	PH. 1	HZ 60
TOTAL F.L. AMP.	LARGEST MOTOR F.L. AMP.	
Bell & Gossett		

DOMESTIC™		
SERIES 616PF™	GPM 9	
SERIAL QR XXXX	PSI 30	
Bell & Gossett		

The nameplates identify the pump in the examples as a 616 PF (Domestic Series C-35) rated for 9 GPM at 30 PSI. The larger nameplate notes that this pump has been furnished on a Series CC Condensate unit, Model Number 93 CC. The smaller nameplate identifies a pump that has been furnished separately.

The following procedure will result in proper parts selection:

1. Determine from the nameplate the pump combination and its capacity.
2. Refer to the motor nameplate to determine the correct motor horsepower.
3. Refer to the index to identify the appropriate page for parts selection.
4. For pumps that are available in multiple horsepower find the correct column on the pump combination page.
5. Using the referenced drawing for the pump, select the appropriate parts.
6. When ordering impellers, be sure to specify the required diameter on the order. If a diameter is not specified, a full size impeller will be furnished. (*Caution: Trimmed impellers may not be returned to the factory for credit.*) For impeller trims consult the appropriate full unit parts list.

A Word About Obsolete Pumps

During the time that Domestic & Hoffman Pump Products have been offered, a number of design changes have occurred that necessitate the obsoleting of certain pump combinations. The following list attempts to address the more frequently requested pump identifications.

610 PF pumps were discontinued in 1984. At this printing, limited parts may still be obtained. Consult the factory or your representative for availability. Capacities formerly requiring the 610 PF are now handled by the 609 PF or the 616 PF. Use of the 609 PF requires a change in discharge location.

611 PF pumps were discontinued in 1975. No parts are available. Consult the factory or your representative for alternative replacement pump and motor assemblies.

612 PF pumps were discontinued in 1984. The 616 PF is a direct replacement. Parts from the current 616 PF pump are dimensionally interchangeable with the 612 PF parts.

613 PF pumps in 1½, 2 & 3 HP were discontinued in 1984. At this printing limited parts may still be obtained. Consult the factory or your representative for availability.

614 PF pumps in 3 HP were discontinued in 1984. At this printing, limited parts may still be obtained. Consult the factory or your representative for availability.

615 PF pumps were discontinued in 1975. No parts are available. Consult the factory or your representative for alternative replacement pump and motor assemblies.

627 PF pumps in 2 HP were discontinued in 1984. At this printing, limited parts may still be obtained. Consult the factory or your representative for availability.

650 PF pumps in 1½ & 2 HP were discontinued in 1990. At this printing, limited parts may still be obtained. Consult the factory or your representative for availability.

651 PF pumps in ¾ HP were discontinued in 1990. At this printing, limited parts may still be obtained. Consult the factory or your representative for availability.

653 PF pumps were discontinued in 1992. The 673 PF is a direct replacement. Parts from the current 673 PF pump are dimensionally interchangeable with the 653 PF parts.

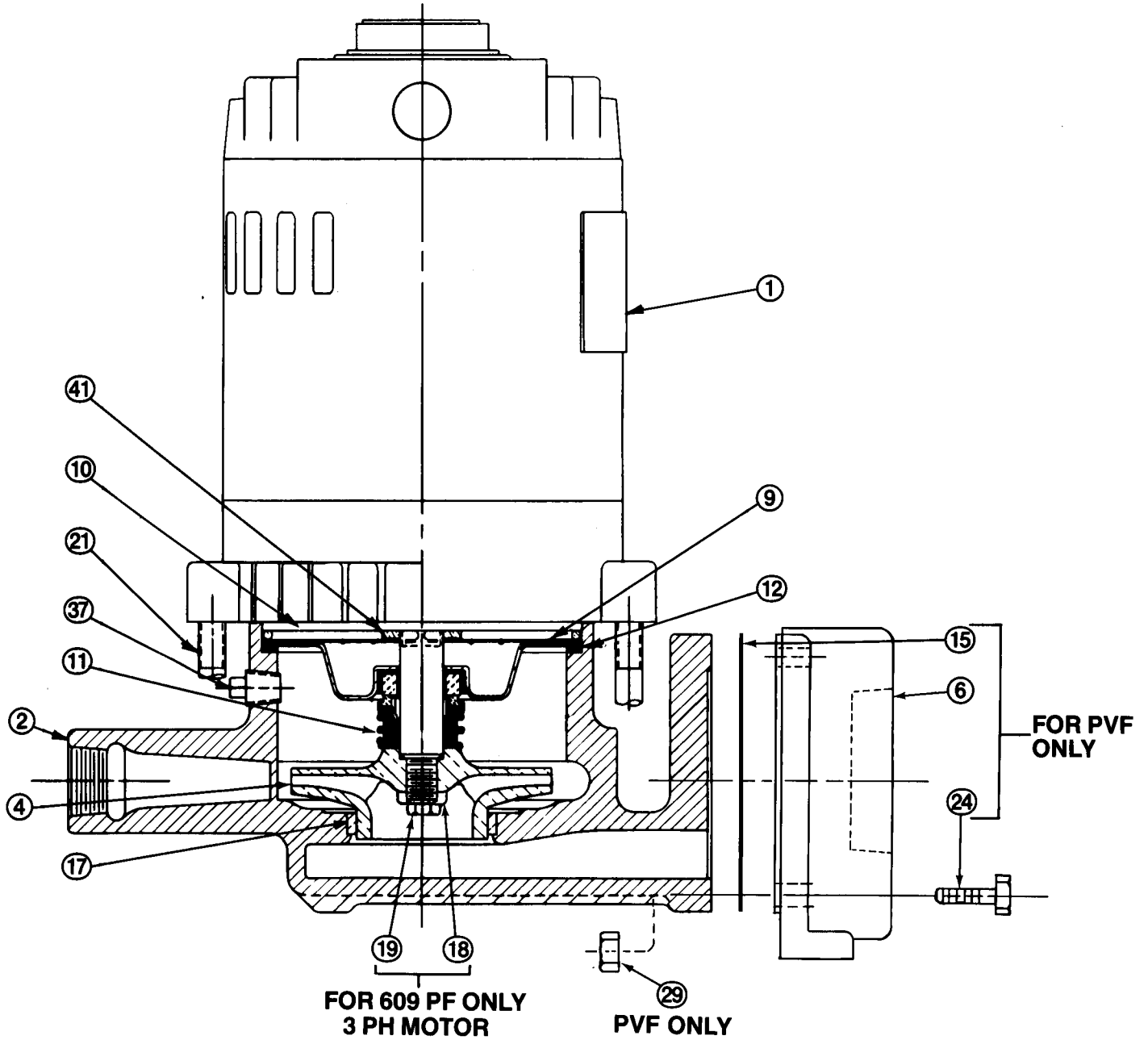
655 PF pumps were discontinued in 1988. At this printing, limited parts may still be obtained. Volutes and impellers are ordered on an as required/non-cancelable basis with extended lead-times. Consult the factory or your representative for parts availability. Consult the factory or your representative for alternative replacement pump and motor assemblies.

657 PF pumps were discontinued in 1992. The 673 PF is a direct replacement. Parts from the current 673 PF pump are dimensionally interchangeable with the 657 PF parts.

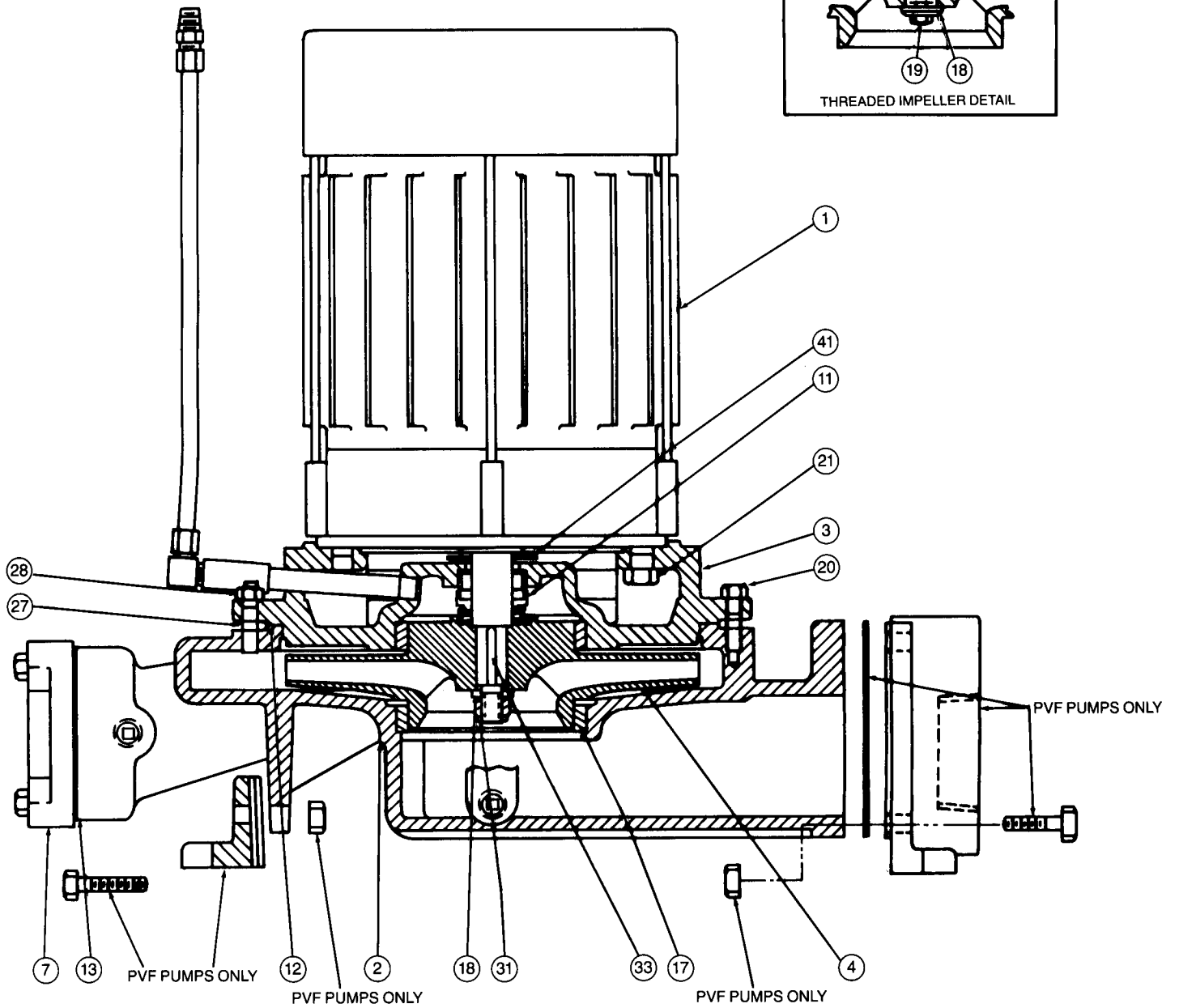
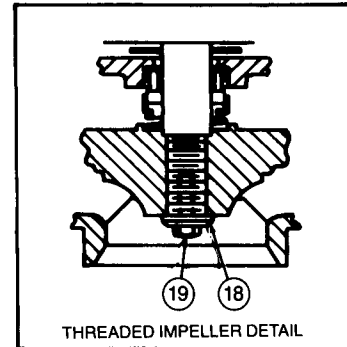
664 PF pumps were discontinued in 1988. At this printing, limited parts may still be obtained. Volutes and impellers are ordered on an as required/non-cancelable basis with extended lead-times. Consult the factory or your representative for parts availability. Consult the factory or your representative for alternative replacement pump and motor assemblies.

666 PF pumps were discontinued in 1988. At this printing, limited parts may still be obtained. Volutes and impellers are ordered on an as required/non-cancelable basis with extended lead-times. Consult the factory or your representative for parts availability. Consult the factory or your representative for alternative replacement pump and motor assemblies.

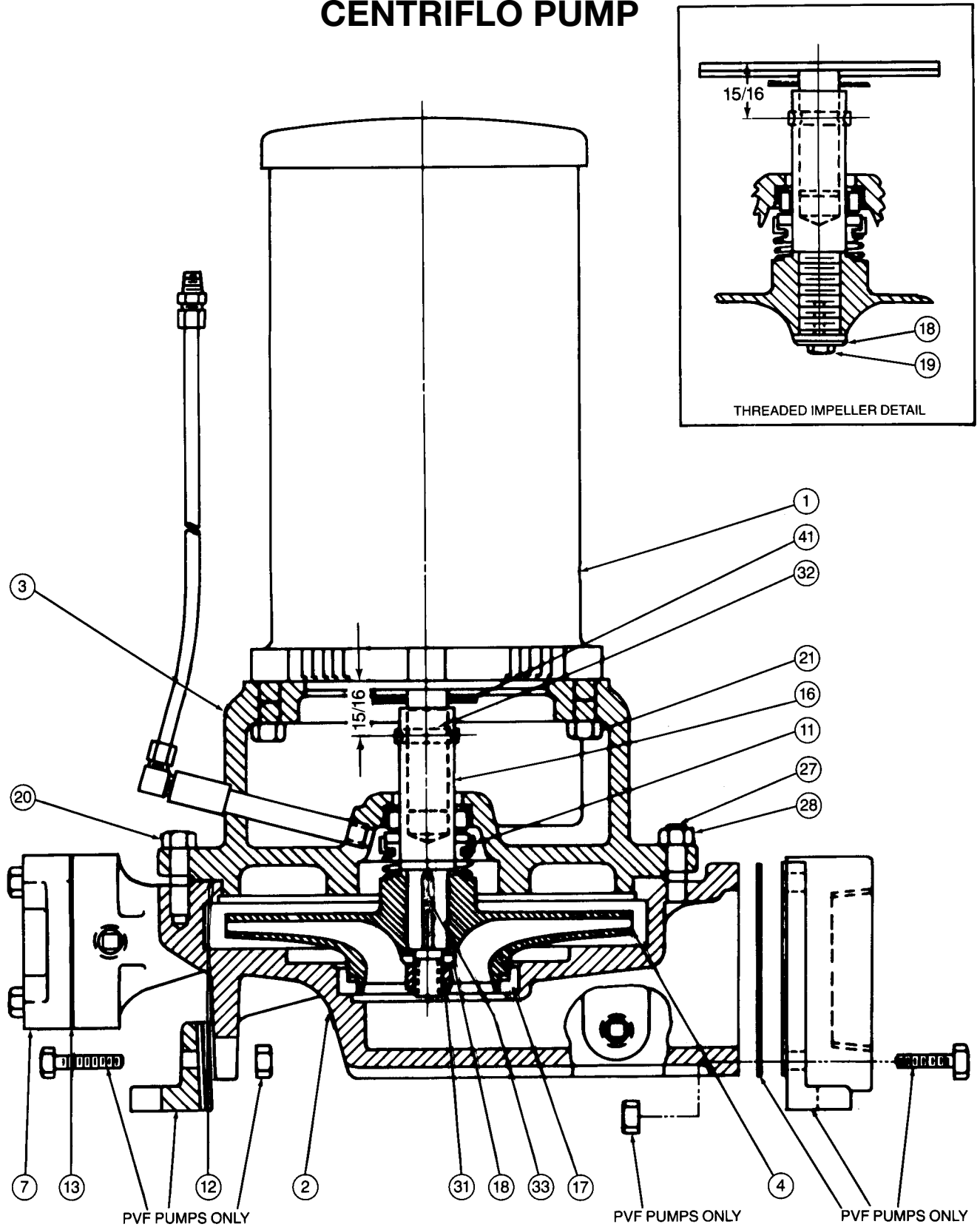
SERIES C35™ – 3500 RPM TYPE 609 PF CENTRIFLO



SERIES C35™ – 3500 RPM CENTRIFLO PUMP



SERIES C17 - 1750 RPM CENTRIFLO PUMP



Series C-35 Pumps, 3500 rpm, (parts sheet 1 / 2)										
Item #	Description	609 PF		613 PF	614 PF	616 PF	617 PF		618 PF	
		1 phase ⁽²⁾	3 phase ⁽³⁾	5 HP	5 HP	½ - 2HP ⁽⁴⁾	¾ - 2 HP ⁽⁵⁾	3 HP	5 & 7½ HP	10 & 15 HP
4	IMPELLER ⁽¹⁾ (ref. unit description for proper trim size)	DP0321	DP0321	DP0314	DP0326	DP0336	DP0346	DP0348	DP0354	DP0352
3	MOTOR BRACKET	----	----	DP0212	DP0212	DP0208	DP0216	DP0214	DP1663	DP1663
2	VOLUTE WITH WEAR RING	DP1665	DP1665	DP1624	DP1632	DP1603	DP1604	DP1604	DP1630	DP1630
7	COMPANION FLANGE	----	----	DF0678	DF0483	----	----	----	DF0678	DF0678
11	SEAL & GASKET KIT	180013	180013	180011	180011	180014	180014	180010	180011	180011
17	WEAR RING	DP0482	DP0482	DP0483	DP0484	DP0482	DP0482	DP0482	DP0484	DP0484
18	IMPELLER WASHER	----	DJ0259	DJ0280	DJ0280	DJ0267	DJ0267	DJ0275	DJ0280	DJ0281
12	VOLUTE GASKET	----	----	DG0087	DG0087	DG0086	DG0087	DG0087	DG0089	DG0089
13	COMPANION FLANGE GASKET	----	----	DG0141	DG0142	----	----	----	DG0141	DG0141
19	IMPELLER CAPSCREW	----	DJ0213	----	----	DJ0213	DJ0213	DJ0026	----	----
41	WATER SLINGER	DP0848	DP0848	DP0851	DP0851	DP0848	DP0848	DP0849	DP0851	DP0851
33	IMPELLER KEY	----	----	DP0586	DP0586	----	----	----	DP0586	DP0587
31	STOP NUT	----	----	DJ0243	DJ0243	----	----	----	DJ0243	DJ0243
5	SUCTION HOUSING	----	----	----	DP0696	----	----	----	----	----
14	SUCTION HOUSING GASKET	----	----	----	DG0165	----	----	----	----	----
42	SHAFT WASHER	----	----	----	----	----	----	----	----	DJ0290
9	SEAL HOLDER	DP1966 ⁽⁶⁾	DP1966 ⁽⁶⁾	----	----	----	----	----	----	----
12	HEAD GASKET	DG0092	DG0092	----	----	----	----	----	----	----
21	CAPSCREW	DJ0083	DJ0083	----	----	----	----	----	----	----
37	PIPE PLUG 1/4"	P39040	P39040	----	----	----	----	----	----	----
10	WIRE SPACER ⁽⁷⁾	DP0291	DP0291	----	----	----	----	----	----	----

----- Shaded items are recommended spare parts.

⁽¹⁾ Specify required diameter when ordering. If diameter is not specified full diameter will be furnished

⁽²⁾ Parts may be used for 180001 Stock Pump.

⁽³⁾ Parts may be used for 180025 Stock Pump.


⁽⁴⁾ Parts may be used for 180026, 180027, 180029, and 161037 Stock Pumps.

⁽⁵⁾ Parts may be used for 180028 Stock Pump.

⁽⁶⁾ Seal holder for units manufactured between 1982 and 2002 is part number DP0290.

⁽⁷⁾ Wire spacer was only used on units built from 1982 to 2002.

Series C-35 Pumps, 3500 rpm. (parts sheet 2 / 2)										
Item #	Description	620 PF			625 PF			626 PF		627 PF
		2 HP	3 HP	5 & 7½ HP	¾ - 2 HP	3 HP	5 HP	¾ - 2 HP	3 HP	3 HP
4	IMPELLER ⁽¹⁾ (ref. unit description for proper trim size)	DP3363 ⁽²⁾	DP3363 ⁽²⁾	DP3364 ⁽²⁾	DP0380	DP0382	DP0384	DP0390	DP0392	DP0400
3	MOTOR BRACKET	DP0230	DP1660	DP1661	DP0208	DP0210	DP0226	DP0208	DP0210	DP0214
2	VOLUTE WITH WEAR RING	DP3366	DP3366	DP3366	DP1631	DP1631	DP1631	DP1626	DP1626	DP1610
7	COMPANION FLANGE	DF0676 ⁽³⁾	DF0676 ⁽³⁾	DF0676 ⁽³⁾	DF0678	DF0678	DF0678	DF0678	DF0678	DF0678 ⁽³⁾
11	SEAL & GASKET KIT	180011	180010	180011	180014	180010	180011	180014	180010	180010
17	WEAR RING	DP3365	DP3365	DP3365	DP0484	DP0484	DP0484	DP0483	DP0483	DP0486
18	IMPELLER WASHER	DJ0275	DJ0275	DJ0280	DJ0267	DJ0275	DJ0280	DJ0267	DJ0275	DJ0275
12	VOLUTE GASKET	DG0089	DG0089	DG0089	DG0086	DG0086	DG0086	DG0086	DG0086	DG0087
13	COMPANION FLANGE GASKET	DG0141	DG0141	DG0141	DG0141	DG0141	DG0141	DG0141	DG0141	DG0141
19	IMPELLER CAPSCREW	DJ0026	DJ0026	----	DJ0213	DJ0026	----	DJ0213	DJ0026	DJ0026
41	WATER SLINGER	DP0848	DP0849	DP0851	DP0848	DP0849	DP0851	DP0848	DP0849	DP0849
16	SHAFT EXTENSION	DP0784	----	----	----	----	----	----	----	----
32	LOCKING PIN	DJ0450	----	----	----	----	----	----	----	----
33	IMPELLER KEY	----	----	DP0586	----	----	----	----	----	----
31	STOP NUT	----	----	DJ0243	----	----	----	----	----	----
Misc.	SPRING HOLDER RING	----	----	----	----	----	DP3583 ^{(1),(4)}	----	----	----

 - Shaded items are recommended spare parts.


⁽¹⁾ Specify required diameter when ordering. If diameter is not specified full diameter will be furnished

⁽²⁾ Replace both wear ring and impeller for Units manufactured before May, 1991.

⁽³⁾ DF0678 is used for flows 60 GPM and above. Use DF0676 for flows under 60 GPM.

⁽⁴⁾ Order Spring Holder Ring with impeller for units manufactured before 11/1/1992.

Series C-17 Pumps, 1750 rpm, (parts sheet 1 / 2)								
Item #	Description	650 PF		651 PF		654 PF		654 PF-VAC ⁽³⁾
		½ & ½ HP	¾ - 1 HP	1 HP	1½ - 2 HP	1½ - 2 HP	3 - 5 HP	5 HP -VAC
4	IMPELLER ⁽¹⁾ (ref. unit description for proper trim size)	DP1964 ⁽²⁾	DP3363 ⁽²⁾	DP0424	DP0424	DP0432	DP0432	DP0432 (1)
3	MOTOR BRACKET	DP0228	DP0230	DP0230	DP0230	DP0240	DP0236	DP0236
2	VOLUTE WITH WEAR RING	DP3366	DP3366	DP1630	DP1630	DP1618	DP1618	DP1668
7	COMPANION FLANGE	DF0676	DF0676	DF0678	DF0678	DF0481	DF0481	DF0481
11	SEAL & GASKET KIT	180014	180011	180011	180011	180011	180011	180011
17	WEAR RING	DP3365	DP3365	DP0484	DP0484	DP0488	DP0488	DP0488
18	IMPELLER WASHER	DJ0267	DJ0275	DJ0280	DJ0280	DJ0280	DJ0280	DJ0280
12	VOLUTE GASKET	DG0089	DG0089	DG0089	DG0089	DG0083	DG0083	DG0083
13	COMPANION FLANGE GASKET	DG0141	DG0141	DG0141	DG0141	DG0142	DG0142	DG0142
19	IMPELLER CAPSCREW	DJ0213	DJ0026	-----	-----	-----	-----	-----
41	WATER SLINGER	DP0848	DP0848	DP0848	DP0849	DP0849	DP0851	DP0851
16	SHAFT EXTENSION	-----	DP0784	DP0790	DP0788	DP0788	-----	-----
32	LOCKING PIN	-----	DJ0450	DJ0450	DJ0444	DJ0444	-----	-----
33	IMPELLER KEY	-----	-----	DP0586	DP0586	DP0586	DP0586	DP0586
31	STOP NUT	-----	-----	DJ0243	DJ0243	DJ0243	DJ0243	DJ0243

 - Shaded items are recommended spare parts.

- (1) Specify required diameter when ordering. If diameter is not specified full diameter will be furnished.
 (2) For units manufactured after 1992. Units manufactured before 1992 should replace impeller and wearing ring as a pair.
 Units manufactured before 1992 needing wearing ring only should order DP0483. Old style impellers are no longer available.
 (3) For vacuum pumps only - used on 100 & 150 VC & VCD units or 100 S (or D) 5-17 MJ units.

Series C-17 Pumps, 1750 rpm, (parts sheet 2 / 2)							
Item #	Description	658 PF	659 PF		665 PF	673 PF ⁽²⁾	
		7½ - 15 HP	3 - 5 HP	7½ - 15 HP	7½ - 15 HP	1½ - 2 HP	3 - 5 HP
4	IMPELLER ⁽¹⁾ (ref. unit description for proper trim size)	DP0448	DP0455	DP0454	DP0470	DP3540	DP3540
3	MOTOR BRACKET	DP1662	DP1655	DP1656	DP1664	DP0234	DP0232
2	VOLUTE WITH WEAR RING	DP1614	DP1619	DP1619	DP1613	DP1609	DP1609
7	COMPANION FLANGE	DF0481	DF0481	DF0481	DL1449	DF0678	DF0678
11	SEAL & GASKET KIT	180015	180011	180015	180015	180011	180011
17	WEAR RING	DP0489	DP0488	DP0488	DP0490	DP0486	DP0486
18	IMPELLER WASHER	DJ0286	DJ0280	DJ0286	DJ0286	DJ0280	DJ0280
12	VOLUTE GASKET	DG0084	DG0084	DG0084	DG0084	DG0090	DG0090
13	COMPANION FLANGE GASKET	DG0142	DG0142	DG0142	DG0157	DG0141	DG0141
41	WATER SLINGER	DP0853	DP0851	DP0853	DP0853	DP0849	DP0851
16	SHAFT EXTENSION	-----	-----	-----	-----	DP0788	-----
32	LOCKING PIN	-----	-----	-----	-----	DJ0444	-----
33	IMPELLER KEY	DP0596	DP0586	DP0596	DP0596	DP0586	DP0586
31	STOP NUT	DJ0215	DJ0243	DJ0215	DJ0215	DJ0243	DJ0243

 - Shaded items are recommended spare parts.

⁽¹⁾ Specify required diameter when ordering. If diameter is not specified full diameter will be furnished.

⁽²⁾ When repairing 653 or 657 PF 1 HP pumps - consult factory.

Footed Suction Flange Kit for 609 PF (1 1/2")

DESCRIPTION	PART #	QTY.
Complete Kit	180023	1
Kit Components	—	—
Suction Flange Gasket	DG0060	1
Volute Foot	DM0420	1
Suction Flange	DP0948	1
Capscrew (vol. foot)	DJ0066	1
Hex Nut	F11400	4
Capscrew (suc. flnge)	P01260	4

Footed Suction Flange Components (2") (616, 617 Pumps)

DESCRIPTION	PART #	QTY.
Complete Kit	180038	1
Kit Components	—	—
Suction Flange Gasket	DG0060	1
Stud	DJ0478	1
Capscrew	P01260	4
Hex Nut	F11400	5
Support Foot	DM0420	1
Suction Flange	DP0998	1

Footed Suction Flange Components (2 1/2") (613, 620, 650 & 651 Pumps)

DESCRIPTION	PART #	QTY.
Complete Kit	180039	1
Kit Components	—	—
Suction Flange Gasket	DG0060	1
Stud	DJ0478	1
Capscrew	P01260	4
Hex Nut	F11400	5
Support Foot	DM0418	1
Suction Flange	DP0992	1

Footed Suction Flange Components (3") (618 Pumps)

DESCRIPTION	PART #	QTY.
Complete Kit	180040	1
Kit Components	—	—
Suction Flange Gasket	DG0060	1
Stud	DJ0111	1
Capscrew	H28500	4
Hex Nut	F11400	4
Support Foot	DM0418	1
Suction Flange	DP0996	1

Footed Suction Flange Components (4") (614 PF Pumps)

DESCRIPTION	PART #	QTY.
Complete Kit	180041	1
Kit Components	—	—
Suction Flange Gasket	DG0157	1
Stud	DJ0111	1
Capscrew	P19480	4
Hex Nut	DJ0232	4
Support Foot	DM0418	1
Suction Flange*	DP0950	1

*DP0994, DG0060, DJ0478(5), F11400(5), DM0418 used for 654PF & 659PF w/"B" flange.

REPLACEMENT MOTOR SELECTION TABLE

Enclosure	HP	C-17 pump 1750 rpm				C-35 pump 3500 rpm			
		1 phase	3 phase	3 phase	3 phase	1 phase	3 phase	3 phase	3 phase
		115/208/230 V	200 V	230/460 V	575 V	115/208/230 V	200 V	230/460 V	575 V
ODP	1/3	DM0007	DM1004	DM2004	DM3004	DM0005	DM1010	DM2010	DM3010
	1/2	DM0022	DM1034	DM2034	DM3034	DM0020	DM1029	DM2029	DM3029
	3/4	DM0041	DM1050	DM2050	DM3050	DM0040	DM1045	DM2045	DM3045
	1	DM0056	DM1067	DM0440	DM3067	DM0055	DM1060	DM2060	DM3060
	1-1/2	DM0071	DM1080	DM0442	DM3080	DM0070	DM1076	DM0456	DM3076
	2	DM0091	DM1101	DM0444	DM3101	DM0090	DM1096	DM0458	DM3096
	3	-	DM1118	DM0446	DM3118	-	DM1119	DM0460	DM3119
	5	-	DM1139	DM0448	DM3139	-	DM1140	DM0462	DM3140
	7-1/2	-	DM1152	DM0450	DM3152	-	DM1153	DM0464	DM3153
10	-	DM1159	DM0452	DM3159	-	DM1170	DM0466	DM3170	
15	-	DM1185	DM0454	DM3185	-	DM1180	DM0468	DM3180	
TEFC	1/3	SPECIAL	DM1009	DM2009	SPECIAL	DM0017	DM1018	DM2018	DM3018
	1/2	DM0028	DM1033	DM2033	SPECIAL	DM0023	DM1037	DM2037	DM3037
	3/4	SPECIAL	DM1052	DM2052	SPECIAL	DM0038	DM1053	DM2053	DM3053
	1	SPECIAL	DM1066	DM0441	SPECIAL	DM0054	DM1064	DM2064	DM3064
	1-1/2	SPECIAL	DM1085	DM0443	SPECIAL	DM0084	DM1078	DM0457	DM3078
	2	SPECIAL	DM1100	DM0445	SPECIAL	DM0089	DM1099	DM0459	DM3099
	3	-	DM1117	DM0447	SPECIAL	-	DM1116	DM0461	DM3116
	5	-	DM1134	DM0449	SPECIAL	-	DM1222	DM0463	DM3222
	7-1/2	-	DM1147	DM0451	SPECIAL	-	DM1224	DM0465	DM3224
10	-	DM1226	DM0453	SPECIAL	-	DM1167	DM0467	DM3167	
15	-	DM1186	DM0455	SPECIAL	-	DM1184	DM0469	DM3184	

Check **Xylem Bell & Gossett Motor Status Listing** for current stock status. **Specials** require extended lead times.

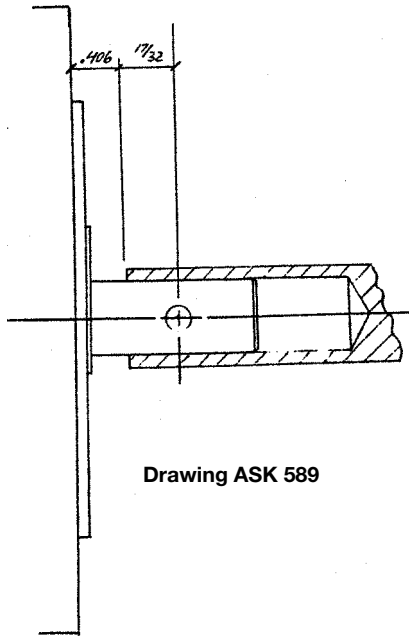
Note: 620 PF, PVF (C-35) & 620 PF-B, PVF-B (B-35) pumps require shaft extensions.

Note: C-17 (3/4 HP through 2 HP) pumps require shaft extensions.

Shaft extensions and drive-lock pins should be ordered as separate items.

For explosion proof motors, please consult factory.

Mounting Location for Shaft Extensions



Xylem |'zīləm|

- 1) The tissue in plants that brings water upward from the roots;
- 2) a leading global water technology company.

We're a global team unified in a common purpose: creating advanced technology solutions to the world's water challenges. Developing new technologies that will improve the way water is used, conserved, and re-used in the future is central to our work. Our products and services move, treat, analyze, monitor and return water to the environment, in public utility, industrial, residential and commercial building services, and agricultural settings. With its October 2016 acquisition of Sensus, Xylem added smart metering, network technologies and advanced data analytics for water, gas and electric utilities to its portfolio of solutions. In more than 150 countries, we have strong, long-standing relationships with customers who know us for our powerful combination of leading product brands and applications expertise with a strong focus on developing comprehensive, sustainable solutions.

For more information on how Xylem can help you, go to www.xylem.com

We value your feedback. Please take our 3 question survey at **bellgossett.com/survey** to let us know how we are doing.



Xylem Inc.
8200 N. Austin Avenue
Morton Grove, Illinois 60053
Phone: (847) 966-3700
Fax: (847) 965-8379
www.bellgossett.com

Bell & Gossett is a trademark of Xylem Inc. or one of its subsidiaries.
© 2017 Xylem Inc. DHP-410G-PL September 2017